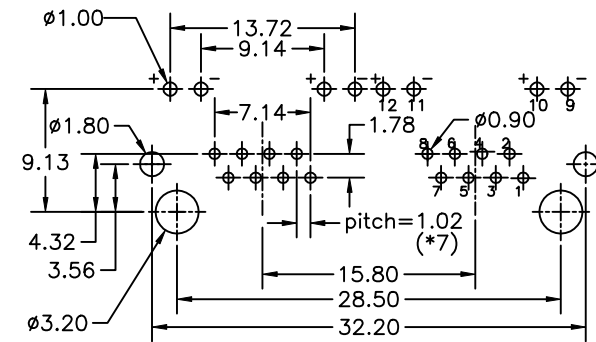
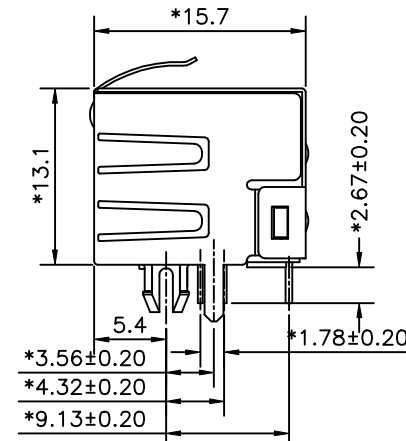
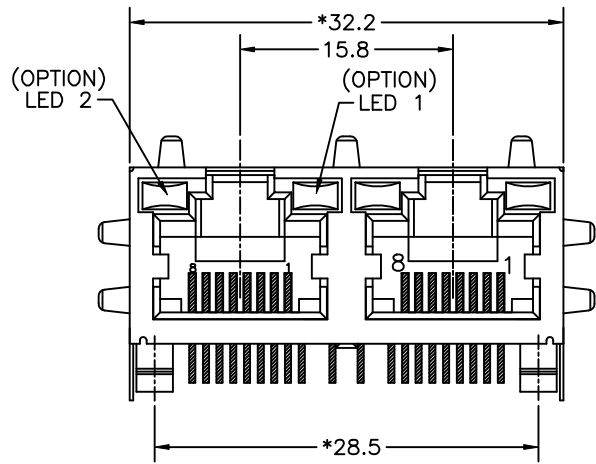


REVISION RECORD				
REV	ECO	DESCRIPTION	DRFT	CHKD
△		ADD TYPE	PETERS 1/15/05	



PC Board Layout(t=1.60)
Component Side Shown

NOTES:

ELECTRICAL:

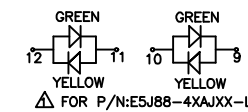
- VOLTAGE RATING : 125 VAC RMS.
- CURRENT RATING : 1.5 AMP.
- CONTACT RESISTANCE : 30 MILLIOHMS MAX.
- INSULATION RESISTANCE: 1000 MEGOHMS MIN @ 500 VDC.
- DIELECTRIC STRENGTH : 1000 VAC RMS 60Hz, 1MIN.
- LED RATINGS: FORWARD VOLTAGE: 2.2 VOLTS TYPICAL.
REVERSE VOLTAGE: 5 VOLTS MAXIMUM.
- OPERATING: 750 CYCLES MIN.

MECHANICAL:

- HOUSING MATERIAL : FR52. UL94V-0. COLOR-BLACK.
- INSERT MATERIAL : FR52. UL94V-0. COLOR-BLACK.
- BACK PLATE MATERIAL : FR52. COLOR-BLACK.
- LED SIZE : 3.2*2.0*7.0*P=2.54mm.
- SHIELD MATERIAL : COPPER ALLOY 0.25mm THICKNESS PLATING NI.
- CONTACT MATERIAL : PHOSPHOR BRONZE 0.35mm THICKNESS OR Ø0.46.
- PLATING : GOLD PLATING OVER NICKEL.
- PCB RETENTION PRE-SOLDER : 1 LB MIN.
- PCB RETENTION POST-SOLDER: 10 LBS MIN.

ENVIRONMENTAL:

- STORAGE : -40°C TO +85°C.
 - OPERATION: 0°C TO 70°C.
- MATES WITH MODULAR PLUG CONFORMING TO
FCC PART 68, SUBPART F.
CUL FILE No:E163191



PART NUMBER: E 5J 8 8 - X X A J X X-L

- 1-LED1:GREEN ,LED2:YELLOW .
- 2-LED1:GREEN ,LED2:GREEN .
- 3-LED1:YELLOW ,LED2:GREEN .
- △4-LED1:G+Y ,LED2:G+Y .
- 5-LED1:RED ,LED2:GREEN .
- 7-LED1:YELLOW ,LED2:YELLOW .

- 1-NO TAB
- 2-TOP TABS.
- 3-SIDE TABS.
- 4-TOP TABS & SIDE TABS.

PLATING: 1-3u" 2-6u"
3-15u" 4-30u" 5-50u"

- 1-plate Tin shield stamp pin,No3 era led
- 2-plate Ni shield stamp pin,No3 era led
- 3-plate Tin shield round pin,No3 era led
- 4-plate Ni shield round pin,No3 era led

J-W/O LOGO FR52.

MM (INCH)		DFTO Jake	DATE 05/05/04	FULL RISE ELECTRONIC CO., LTD	
TOLERANCES EXCEPT AS NOTED		CHKD JAKE	DATE 2005/1/15		
DETACHED LISTS	MM	MFO	DATE	TITLE RJ45 SIDE ENTRY LED GANG JACK	
	.0 ±0.20	APPVLLUSHENG	DATE 2005/1/15		
	.00 ±0.15	MATERIAL :	DRAWING NO. GE5J3135		SIZE A3
	.000 ±0.075	ANGLES ±	QT'Y :	REV 1 01/15/05	
THIRD ANGLE PROJECTION		FINISH :	SCALE : 50:19	DO NOT SCALE DRAWING	
		SHEET X OF Y			