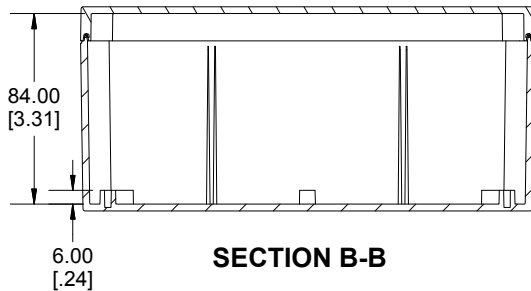
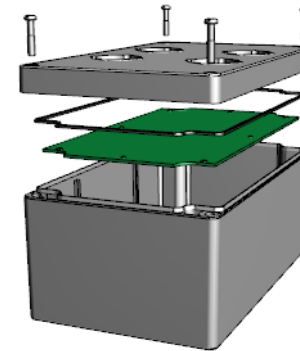
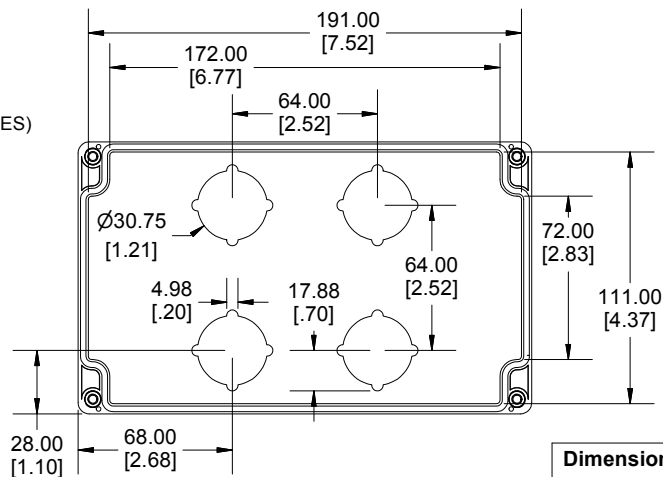
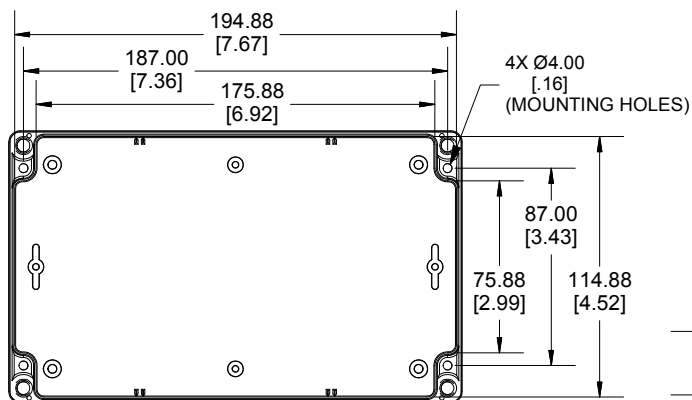
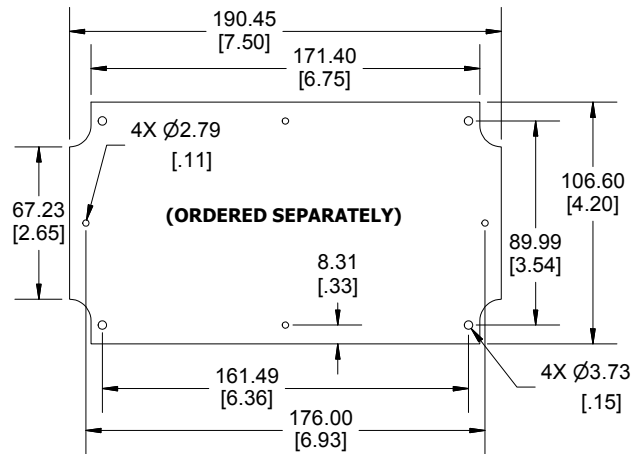


SECTION A-A



SECTION B-B



Dimensions:
mm
[inches]



SEE ENCLOSURE 1554U
FOR MORE DETAIL

Enclosures can be Factory Modified (Milling, Drilling, Printing etc.)
Contact Factory mjm@hammondmfg.com for quotes
Solid models of this enclosure available in STEP or IGES.
(Part number and text placement/orientation on our products are subject to change,
we do not recommend using them as a locating reference for modification purposes)

NOTE	
Purchased assembly includes box, lid, 4 cover screws, and preformed silicone gasket.	
Polycarbonate version is UL 508 approved. (Matl UL94 - 5VA @ 3mm)	
Lid accepts 30.5mm push buttons	
Recommended Cover screw torque -- 2.5 lbf-in (30 cN-m)	

1554PB	
1554PB Enclosure	
Polycarbonate RAL-7035	1554PB4
ACCESSORIES	
Steel Inner Panels	1554UPL
Steel Panel / P.C. Board Machine Screw [M3 x 8mm Plated]	1591MM100
Steel Panel / P.C. Board Self Tapping Screw [#6 X 1/4" (6.4mm) Plated]	1598ATS100
Cover Screws (Pkg 4) [M4 X 20mm Stainless Steel]	SC1554

**HAMMOND
MANUFACTURING**

1554PB4
www.hammondmfg.com