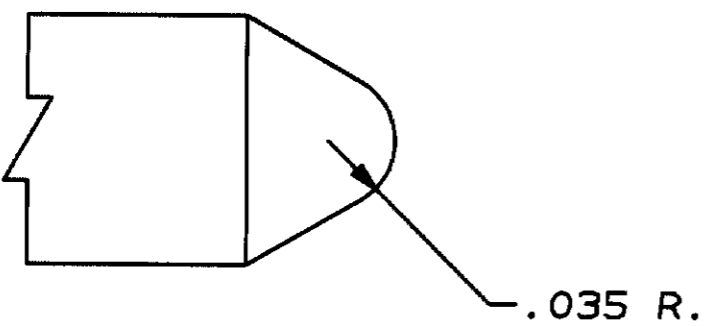


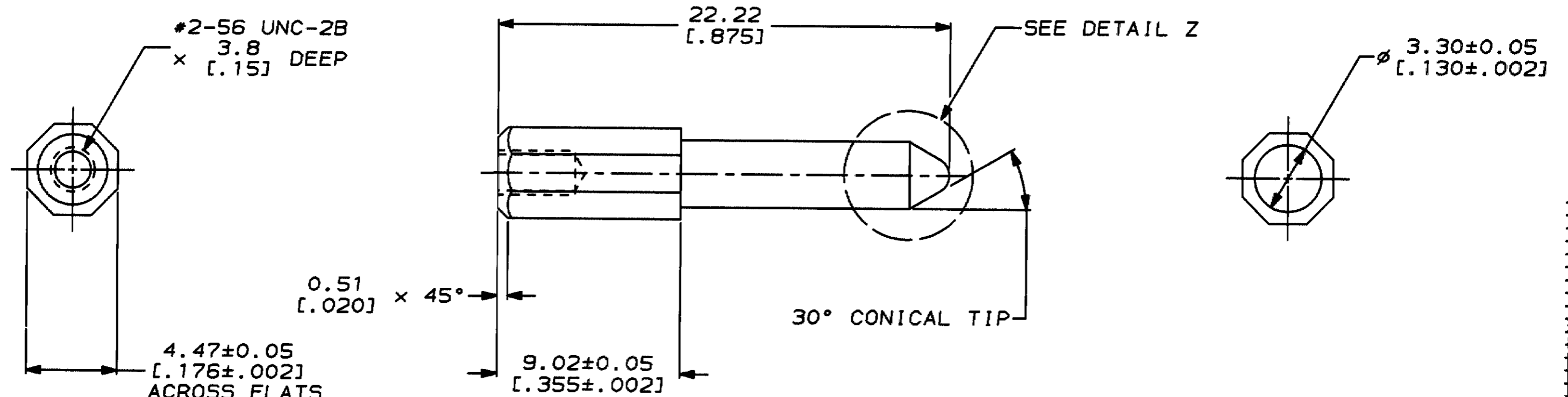
THIS DRAWING IS UNPUBLISHED. RELEASED FOR PUBLICATION, 19 .
 © COPYRIGHT 19 BY AMP INCORPORATED. ALL INTERNATIONAL RIGHTS RESERVED.

LOC	DIST	P	F	ZONE	LTR	DESCRIPTION	DATE	APPD
AD	25				A	ECN AD	01/21/91	-
					B	REV. PER ECN. AD6617	7/20/92	TH

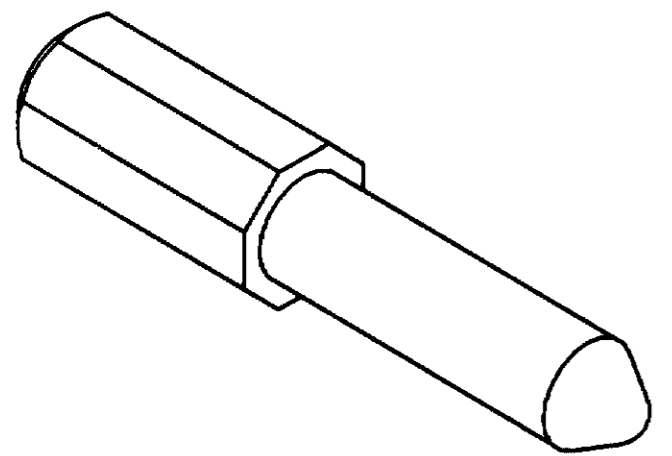


DETAIL Z
SCALE 10:1

- ① MATERIAL: STAINLESS STEEL
- ② FINISH: PASSIVATED



650502-2 IS AS SHOWN.



METRIC

DO NOT SCALE PRINT. UNLESS SPECIFIED DIMENSIONS IN mm (INCHES) TOLERANCES ON: 2 PLC DEC * - 3 PLC DEC ± 0.13 (.005) ANGLES * -		DR 01/21/91 R.K. SEIFRIED/UTA CHK 9/3/92 J.D. MEARY APPD 9/3/92 J.D. MEARY APPD 9/3/92 J.D. MEARY PRODUCT SPEC - APPLICATION SPEC - WEIGHT -	PART NO AMP AMP Incorporated Harrisburg, PA 17105-3608	
MATERIAL ①	FINISH ②	NAME TBC PLUS, GUIDE PIN	SIZE B	CAGE CODE 00779
		DRAWING NO 650502	SCALE 5:1	SHEET 1 OF 1