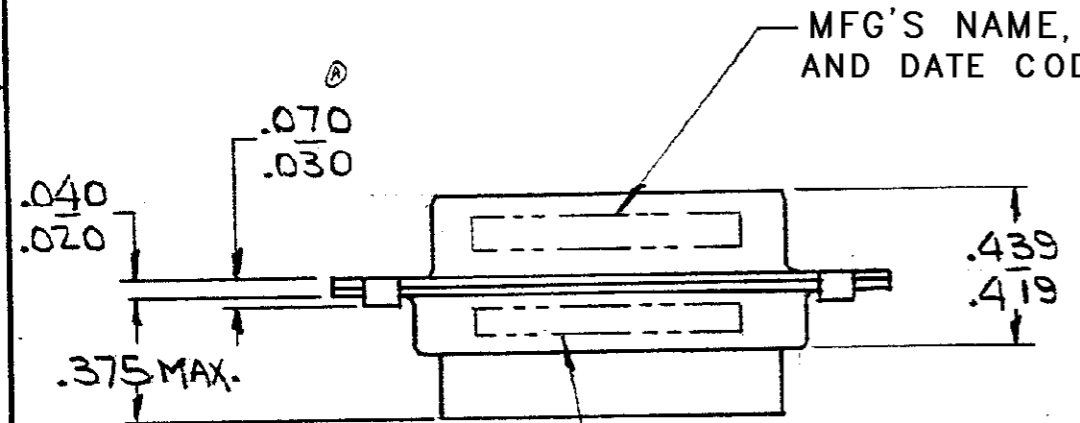
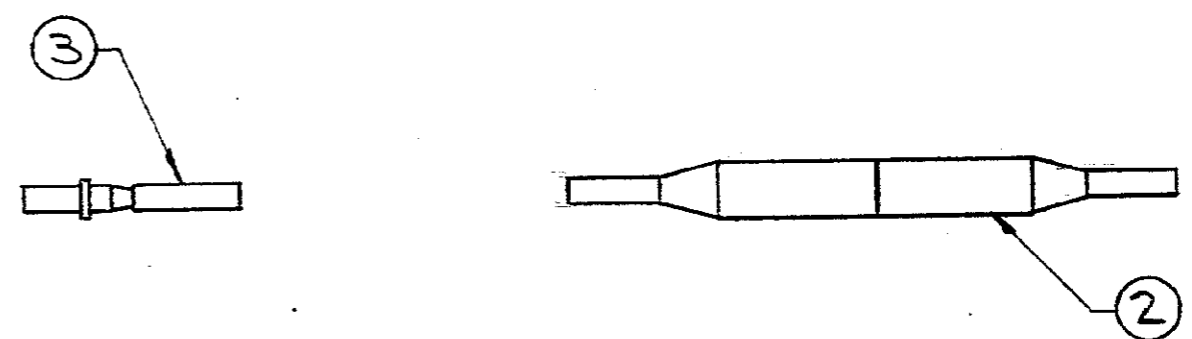
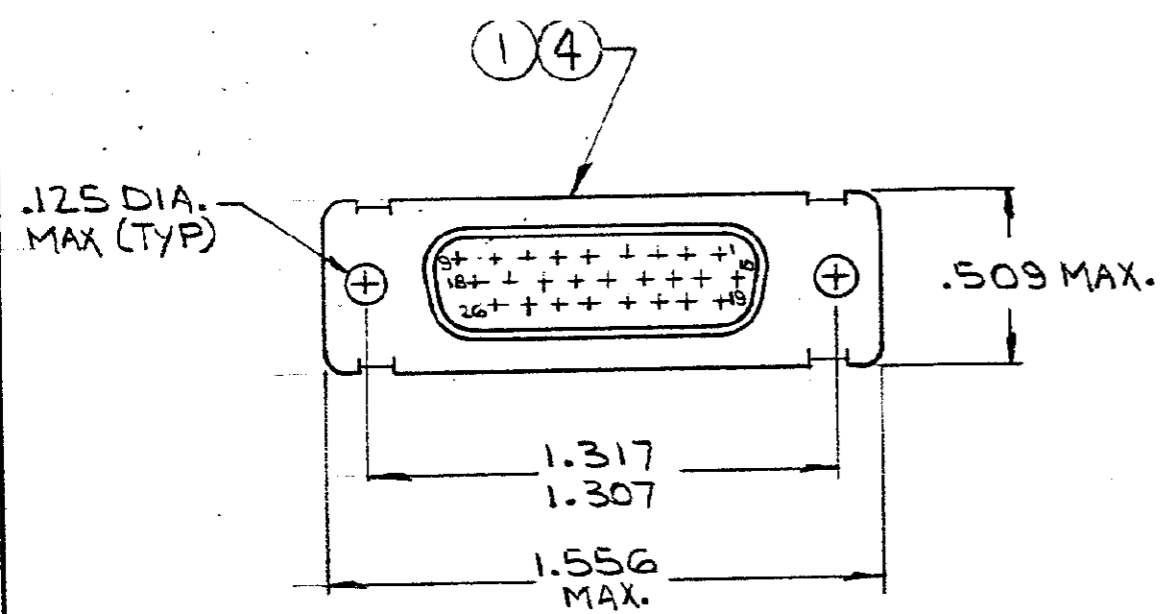


DRAWING MADE IN AMERICAN PROJECTION

REVISIONS				
ZONE	LTR	DESCRIPTION	DATE	APPROVED
	F1	REVISED PER ECO-11-005030	24MAR11	HMR



MARKED ON FAR SIDE
 ⓐ M24308/2-12F (-1, -2 & -3 ONLY)
 ⓑ M24308/6-12F (-4, -5 & -6 ONLY)

-	X	-	-	-	-	MIL No. M24308/6-12F MARKED ON PACKAGE	
-	-	-	-	X	-	MIL No. M24308/2-12F MARKED ON PACKAGE	
X	-	-	-	-	-	MIL No. M24308/6-18F MARKED ON PACKAGE	
-	-	-	X	-	-	MIL No. M24308/2-18F MARKED ON PACKAGE	
1	1	1	-	-	-	C 204502-2 RECEPTACLE ASSY, SIZE 2 (BRASS SHELL)	4
26	26	-	26	26	-	B 204351-1 CONTACT, SOCKET, SIZE 22D	3
1	-	1	1	-	1	B 91067-1 INSERTION/EXTRACTION TOOL	2
-	-	-	1	1	1	C 204502-1 RECEPTACLE ASSY, SIZE 2 (STEEL SHELL)	1
6	5	4	3	2	1	DWG NUMBER	NAME

UNLESS OTHERWISE SPECIFIED DIMENSIONS ARE IN INCHES TOLERANCES ON: DECIMALS ± # ANGLES ± #	CONTRACT NO.	TE Connectivity	
	DR. <i>W. J. ...</i> 11/30/70		
MATERIAL	CHK. <i>R. ...</i> 12-3-70	NAME KIT, "HDD" SERIES, RECEPTACLE, SIZE #2 (26 POS.)	
	APPD. <i>R. ...</i> 12-9-70	SIZE	CODE IDENT NO.
REVISIONS	REVISIONS	NUMBER	REV
DSGN APPD.	OTHER APPD.	B	00779
		204514	F1
		SCALE #	SHEET 1 OF 1

△ SUPD BY 206501-49 (26) 206071-1

CUSTOMER DRAWING