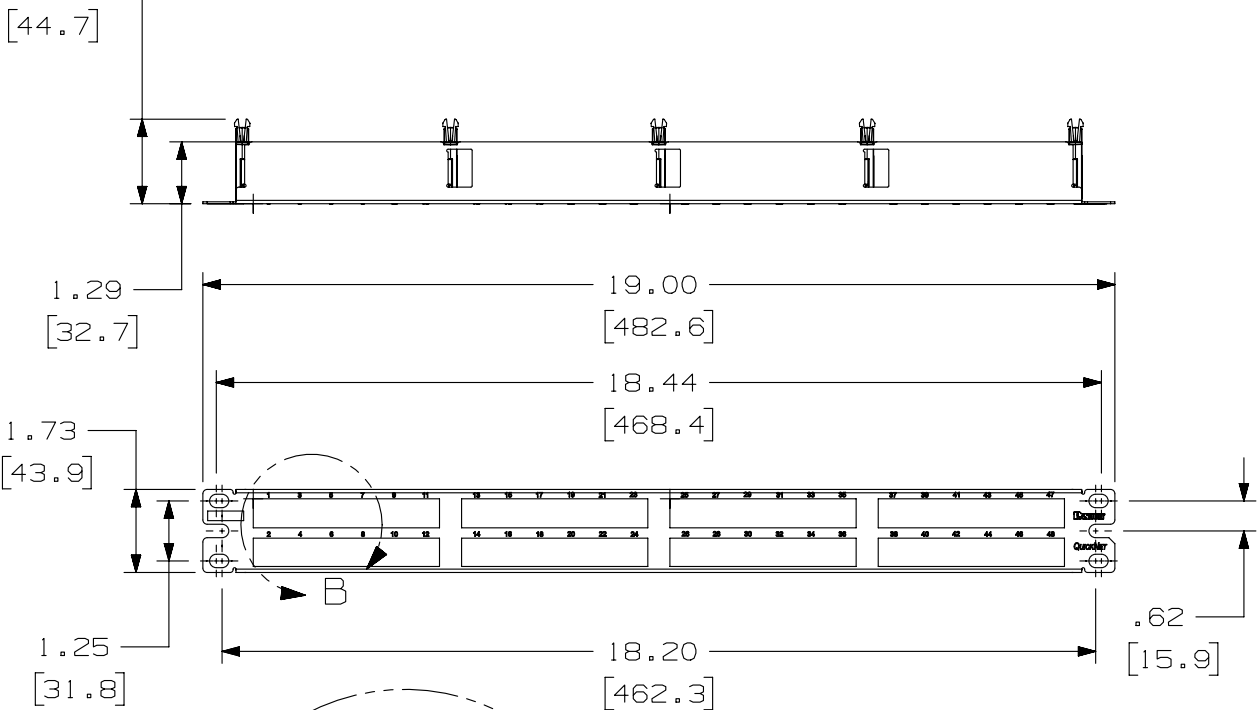
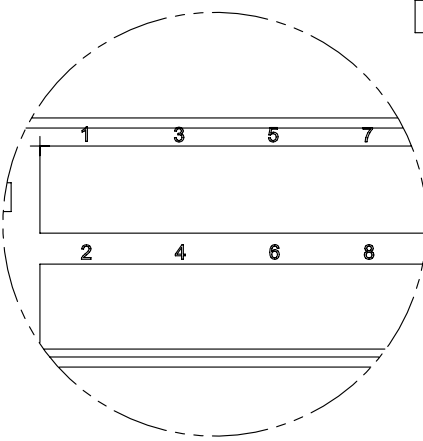
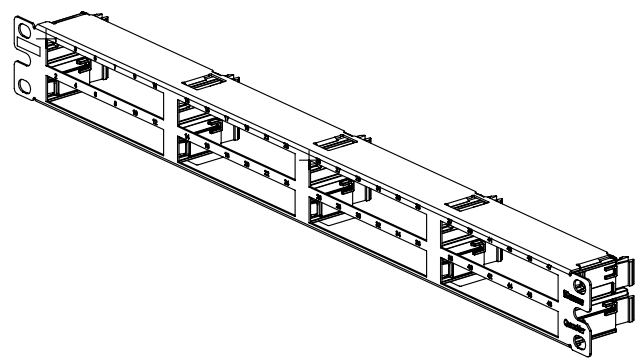


THIS COPY IS PROVIDED ON A RESTRICTED BASIS AND IS NOT TO BE USED IN ANY WAY DETRIMENTAL TO THE INTERESTS OF PANDUIT CORP.



PANDUIT PART NO.	WEIGHT (APPOX.)
QPP48HDVNSBL	0.65 lb (294.8 g)

- NOTES:
- SEE CURRENT CATALOG FOR VARIOUS APPLICATIONS.
  - THE PATCH PANEL HAS A VERTICAL NUMBERING SEQUENCE AND IS DESIGNED FOR MOUNTING TO 19" UNIVERSAL RACKS.
  - DIMENSIONS IN BRACKETS ARE IN METRIC.
  - PACKAGE CONTENTS:
    - 1- METAL STAMPING WITH SLIDE GUIDES
    - 1- SCREW KIT (INCLUDES FOUR #12-24 SCREWS)
    - 1- SCREW KIT (INCLUDES FOUR M6 SCREWS)



PART NUMBER		QPP48HDVNSBL	
TITLE			
QUICKNET 48 PORT PATCH PANEL WITH VERTICAL NUMBERING SEQUENCE			
CUSTOMER DRAWING			
ITEM REVISION NAME		M02582DK/00	
DATASET FILE NAME		M02582DK_DC63/00B	
UNLESS OTHERWISE SPECIFIED, DIMENSIONAL TOLERANCES ARE: IN [mm]		MATERIAL:	
.x ± .xxx ± .010 [.3]		PANEL: C.R.S.	
.xx ± .03 [.8] ANGLES ±		GUIDES: ABS	
THIRD ANGLE PROJECTION		DRAWING NUMBER:	
02582-63		02582-63	
DRAWN BY	DATE	CHK	SCALE
MDJr	9-01-06	WFMI	NONE
REV	DATE	BY	CHK
1	5/23/14	JSP	REFR
R	1-02-08	MDJr	WFMI
APR	DESCRIPTION		ECN
	A. REVISED DRAWING TITLE BLOCK.		02582-63
	RELEASED TO PRODUCTION		02582-63
SHT 1 OF 1		A	

D10100DA/14

2

1

2

1