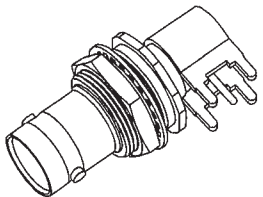
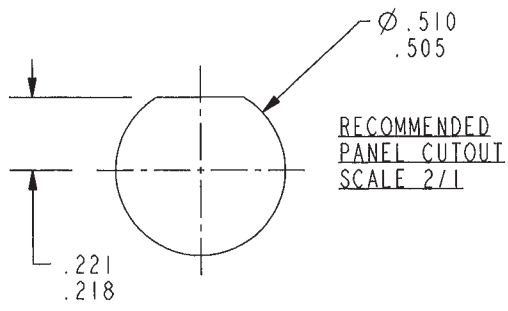
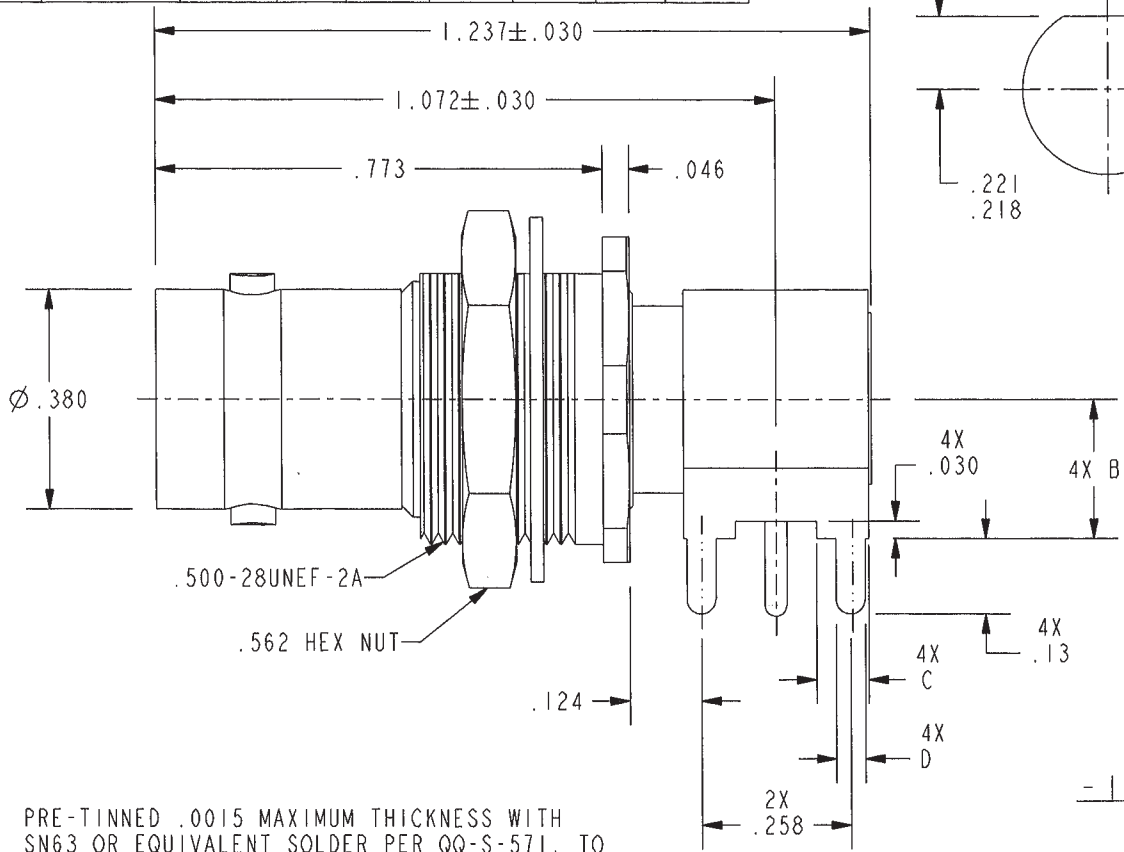


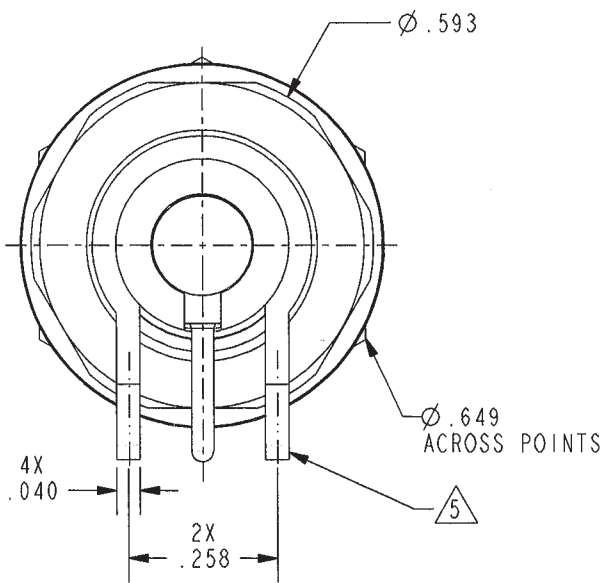
DASH NUMBER	MODEL NUMBER	LETTER CODE	IMPD Ω	A DIA	B DIM	C DIM	D DIM	E DIA
-1	CBBJR26		50	.046	.24	.090	.050	.0625
-2	UCBBJR26		75	.029				
-3	CBBJR26A	A	50	.046	.34	.090	.058	.070
-4	UCBBJR26A		75	.029				

DATA CONTAINED IN THIS DOCUMENT IS PROPRIETARY TO TROMPETER ELECTRONICS INC. AND SHALL NOT BE DISCLOSED, COPIED OR USED FOR PROCUREMENT OR MANUFACTURE WITHOUT EXPRESS WRITTEN PERMISSION.

REVISIONS			
REV	DESCRIPTIONS	DATE	APPROVED
E	REVISED PER ECO 16623	7-18-08	ORames



SCALE 1/1



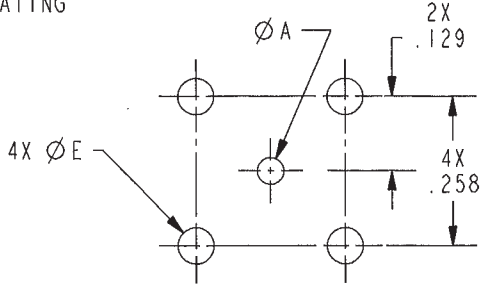
-1 SHOWN

RED INDICATES ORIGINAL

5. PRE-TINNED .0015 MAXIMUM THICKNESS WITH SN63 OR EQUIVALENT SOLDER PER QQ-S-571, TO WITHIN .060 MAXIMUM OF SHOULDER AFTER PLATING

- 4. MAXIMUM PANEL THICKNESS .156
- 3. EXAMPLE OF COMPLETE MODEL NUMBER:

CBBJR26	A
BASIC MODEL NUMBER	LETTER CODE
- 2. FINISH: TFS-1A (NICKEL)



RECOMMENDED MOUNTING HOLE PATTERN SCALE 3/1

INTERPRET DRAWING PER MIL-STD-100. DIMENSIONS ARE IN INCHES AND INCLUDE FINISH THICKNESS UNLESS OTHERWISE SPECIFIED.		TOL: UNLESS SPECIFIED. .XX ± .02 .XXX ± .010 ANGLE ± 1°		TROMPETER RF connectivity <small>a cinch connectivity solutions brand</small>	
DRN N JOHNSON	5-15-08	MATERIAL:	TITLE:		
CHK jm	6-23-08	FINISH:	U/CBBJR26/A		
QULITY					
MANUF					
APPROVED jm	7/17/08	SIZE	CAGE CODE	DRAWING NO.	REV.
PROJ FILE NO.	1-0053	A	14949	1-0053	E
NEXT ASSY		DO NOT SCALE DWG	SCALE	DATE	SHEET
			3/1	10-30-84	1C

NOTES: UNLESS OTHERWISE SPECIFIED.