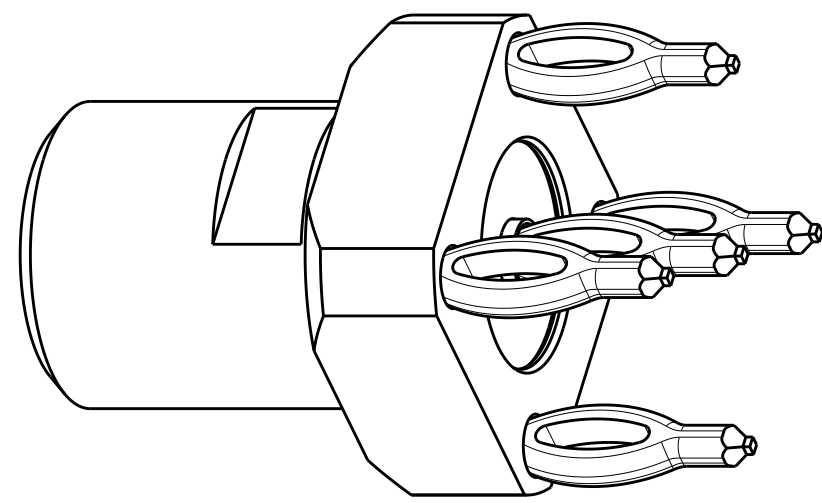


THIS DRAWING IS UNPUBLISHED. RELEASED FOR PUBLICATION 20
 © COPYRIGHT 20 BY - ALL RIGHTS RESERVED.

REVISIONS				
P	LTR	DESCRIPTION	DATE	APVD
G		RELEASED PER ECO 16-013320	9-27-16	CT DW

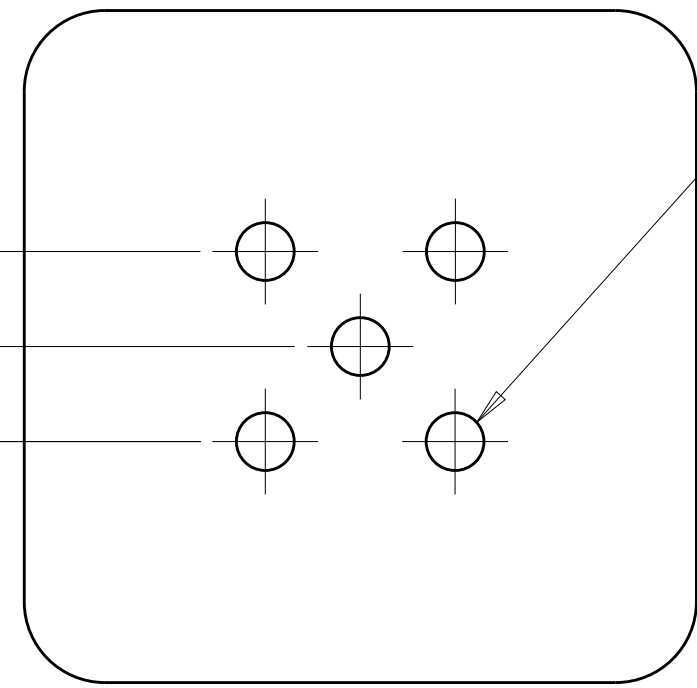
SCALE 7:1



SCALE 10:1

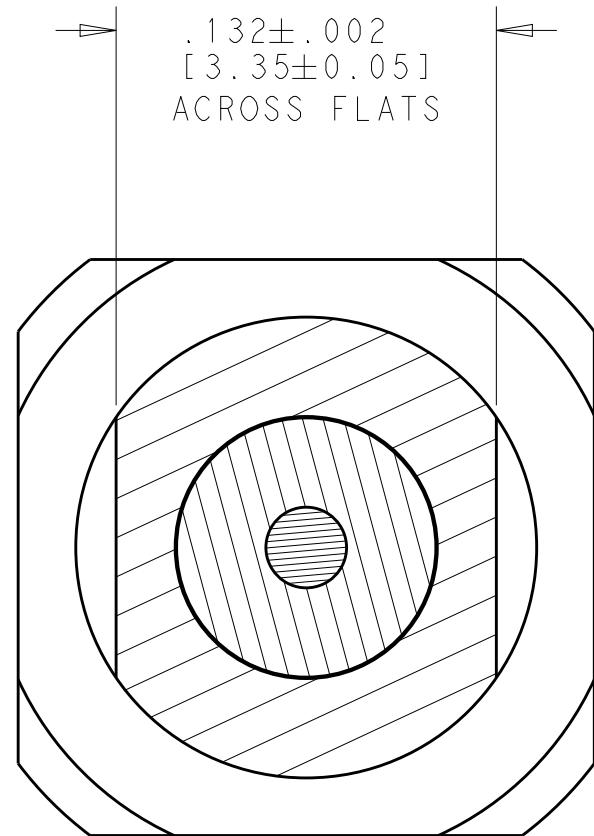
2X .1414 [3.592]

2X .0707 [1.796]

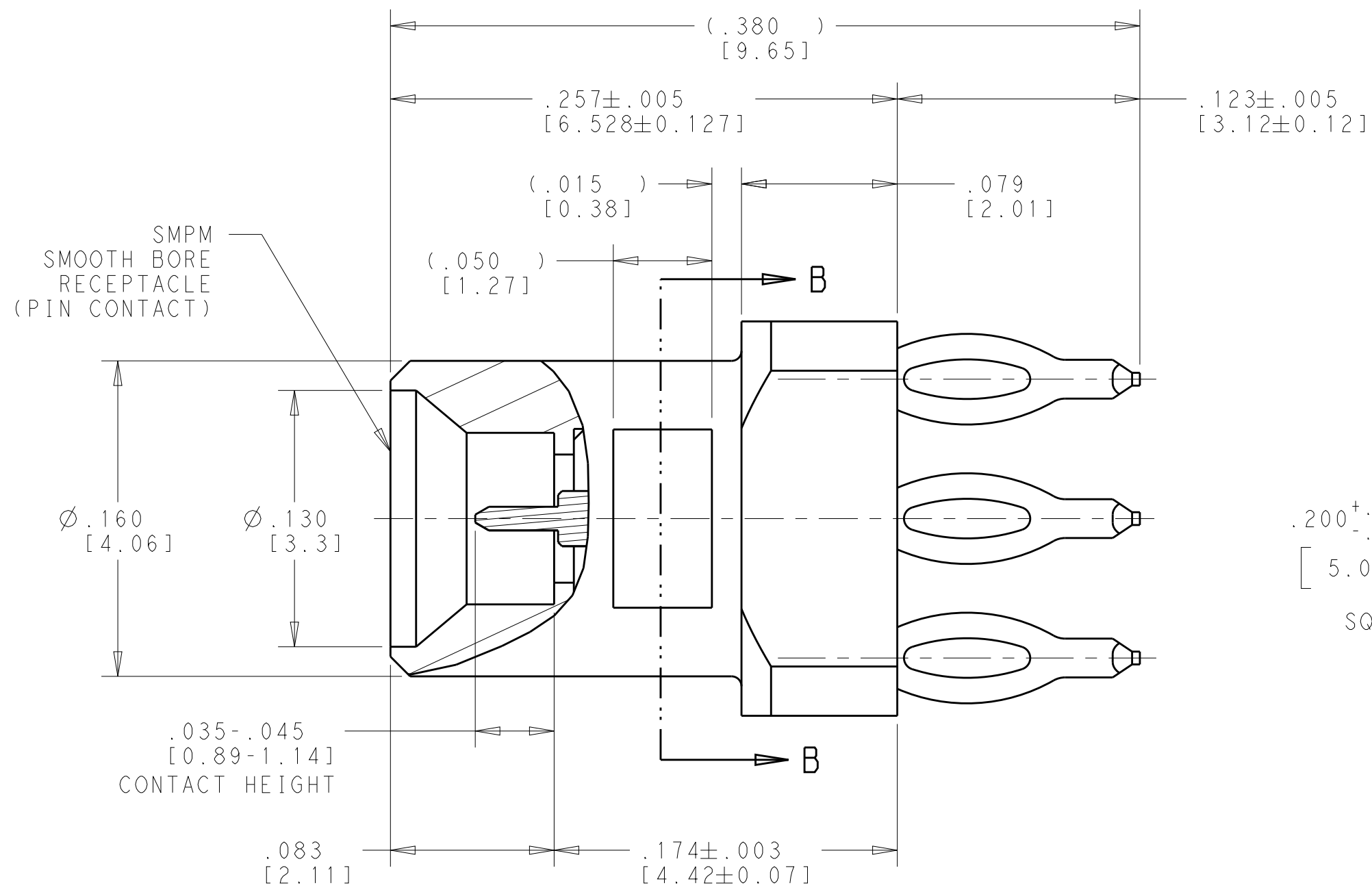


5X PLATED THRU HOLE
 \varnothing .004 [0.1]
 (SEE TABLE)

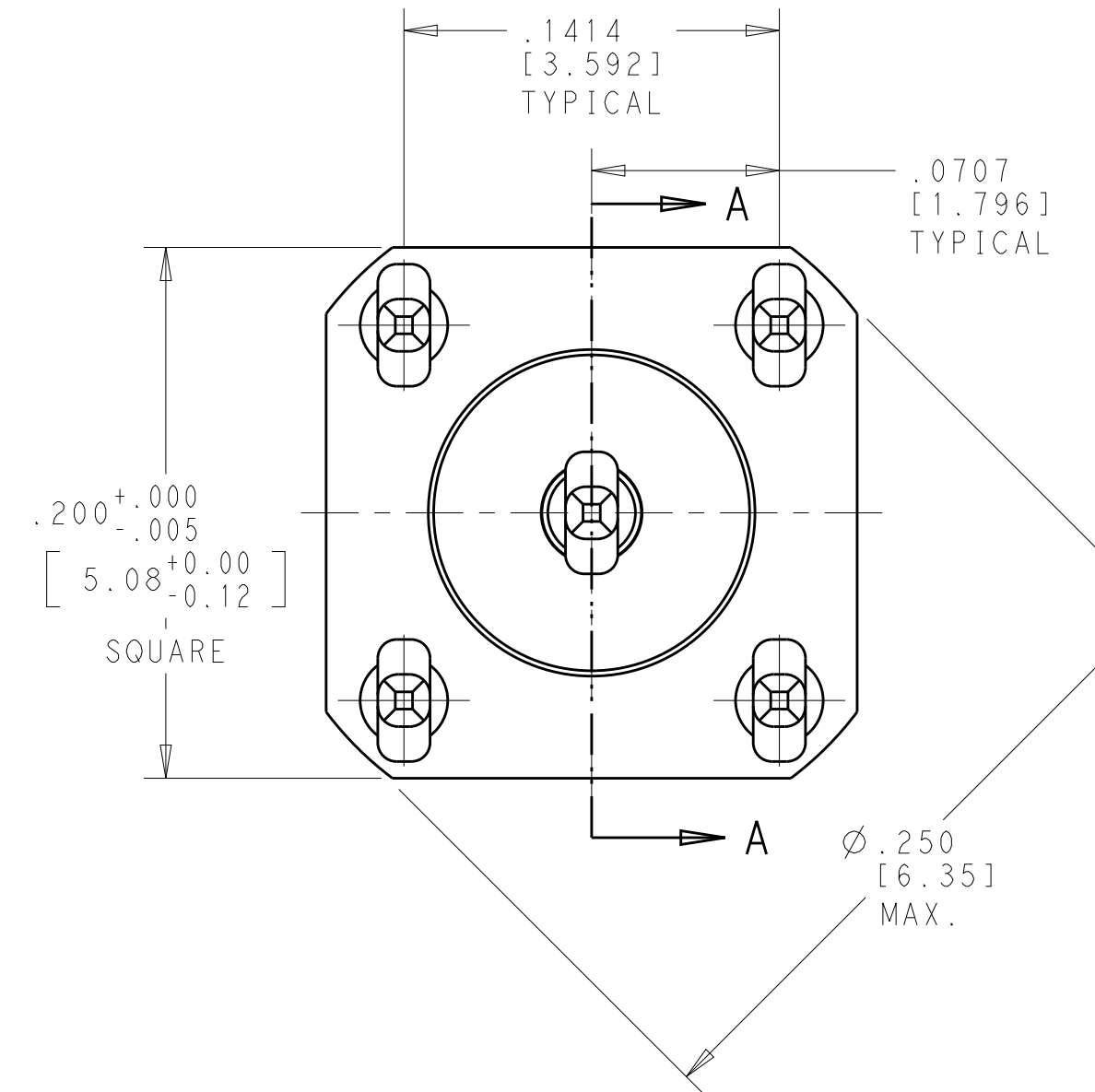
PLATED THROUGH HOLE TABLE		
DRILLED HOLE DIAMETER	FINISHED HOLE DIAMETER	DIAMETER AFTER REFLOW
.044-.046 (1.15±0.025mm)	.037-.043 (0.94-1.09mm)	.036-.043 (0.91-1.09mm)
COPPER PLATING	.001-.003 (25-75um)	



SECTION B-B



SECTION A-A



COMPONENT	MATERIAL	FINISH
SMPM BODY & CENTER CONTACT	BERYLLIUM COPPER ALLOY UNS C17300 PER ASTM B196, CONDITION TD04	GOLD PLATE PER ASTM B488 OVER NICKEL PLATE, PER SAE-AMS-QQ-N-290
COMPLIANT PINS	PHOSPHOR BRONZE, PER ASTM B103 CONDITION H06	TIN LEAD PLATE, PER ASTM B571, OVER NICKEL PLATE PER SAE-AMS-QQ-N-290
INSULATOR	PTFE FLUOROCARBON PER ASTM D 1710	-----

1996318-1
 PART NUMBER

THIS DRAWING IS A CONTROLLED DOCUMENT.		DWN 26SEP2007 S.T. Morley	TE Connectivity
DIMENSIONS: INCHES [mm]		CHK 31AUG2010 S.T. Morley	
TOLERANCES UNLESS OTHERWISE SPECIFIED:		APVD 27SEPT2011 S.T. Morley	NAME SMPM STRAIGHT PLUG RECEPTACLE (M) P.C.B. MOUNT, EON TERMINATION SMOOTH BORE
0 PLC ±.1 1 PLC ±.01 2 PLC ±.001 3 PLC ±.001 4 PLC ±.0010 ANGLES ±1.0° FINISH		PRODUCT SPEC - APPLICATION SPEC - WEIGHT 0.688 g	SIZE A200779 CAGE CODE C-1996318 DRAWING NO. 1996318-1
MATERIAL SEE TABLE		FINISH SEE TABLE	RESTRICTED TO - SCALE 15:1 SHEET 1 OF 1 REV G