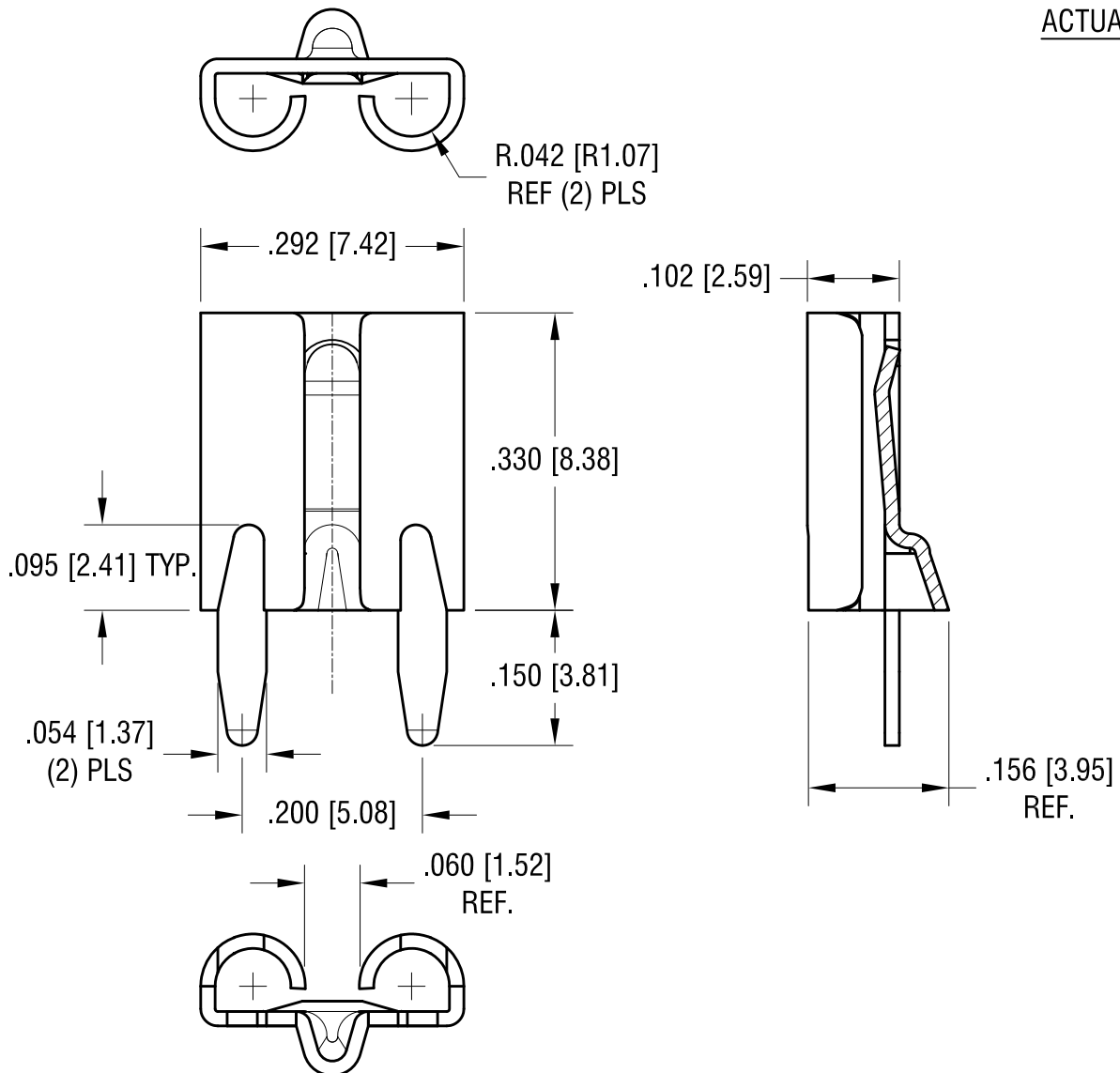


THIS DOCUMENT IS THE PROPERTY OF
KEYSTONE ELECTRONICS CORP. AND
SHALL NOT BE REPRODUCED, DISTRIBUTED
OR USED AS A BASIS FOR MANUFACTURE
WITHOUT PRIOR WRITTEN PERMISSION
FROM KEYSTONE ELECTRONICS CORP.

ACTUAL SIZE



KEYSTONE ELECTRONICS CORP.

www.keyelco.com • ASTORIA, N.Y. 11105-2017 • Tel (718) 956-8900

| | | | |
|----------------------------|-------------------------|------------------------|----------|
| PART NAME | | PC AUTO FUSE CLIP | |
| MATERIAL | | .016 [0.40] TH'K BRASS | |
| FINISH | | DRN BY | DATE |
| MATTE TIN | | NT | 12.21.10 |
| | | APP'D | SCALE |
| | | LN | 5X |
| TOLERANCES | INCH [MM] | CODE | DWG NO. |
| DECIMAL | $\pm .005 [\pm 0.13]$ | C | 3573 |
| ANGULAR | $\pm 1^\circ$ | | |
| UNLESS OTHERWISE SPECIFIED | | | |

| | | |
|---------|--------------------------|------|
| 8.07.12 | CHANGE AS PER ECN 12-131 | A |
| DATE | DESCRIPTION | REV. |