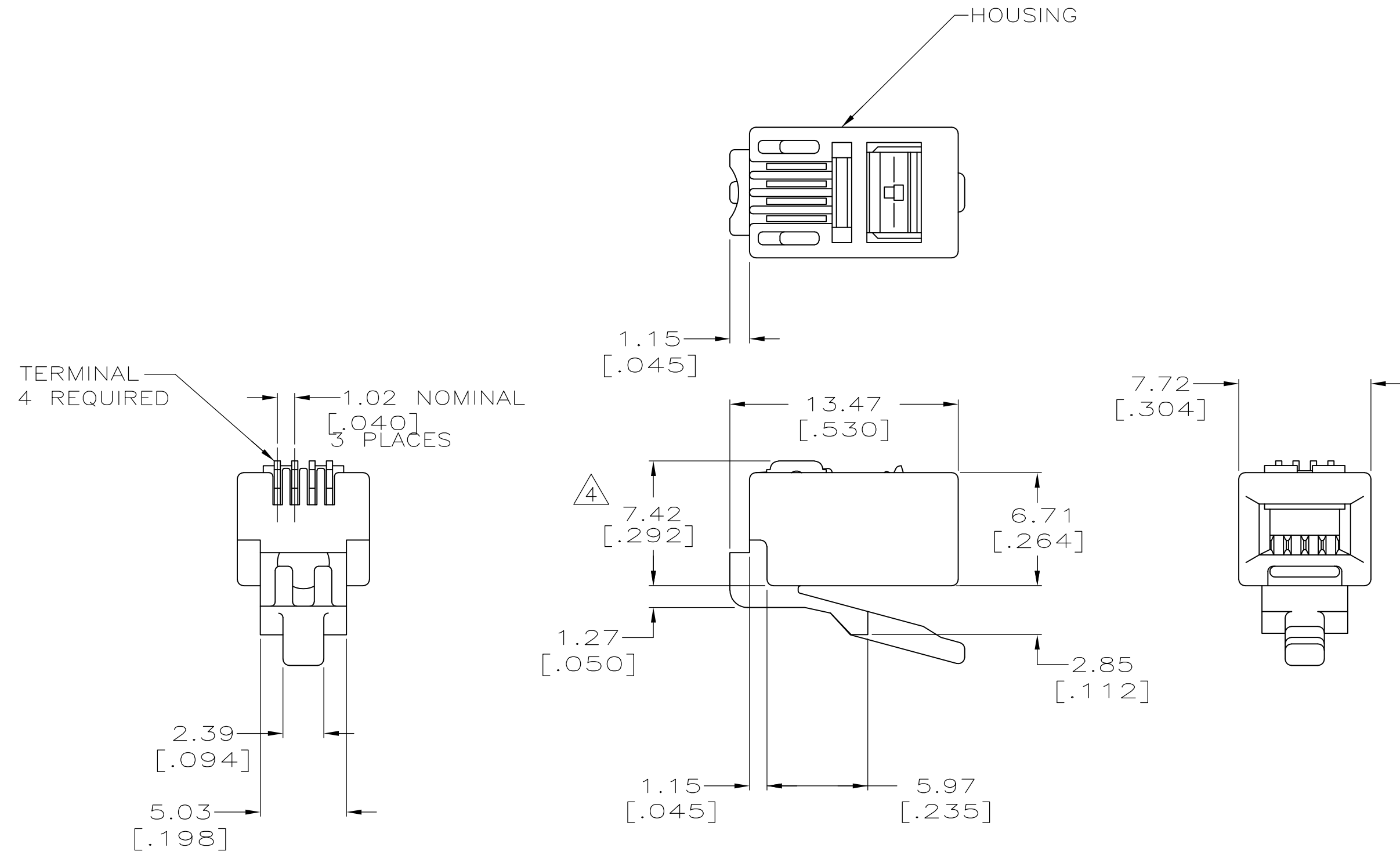


THIS DRAWING IS UNPUBLISHED. RELEASED FOR PUBLICATION  
 © COPYRIGHT - By - ALL RIGHTS RESERVED.

LOC	DIST	REVISIONS					
HM	00	P	LTR	DESCRIPTION	DATE	DWN	APVD
		B		REV; ECO-12-012703	11JUL2012	GG	JG

- ① DIMENSIONS ARE MAXIMUM UNLESS OTHERWISE SPECIFIED.
- ② MATERIAL: HOUSING-POLYCARBONATE,CLEAR. TERMINAL-0.36[.014] THICK PHOSPHOR BRONZE PLATED WITH 1.27 $\mu$ m[.000050] THICK GOLD IN LOCALIZED GOLD PLATE AREA OVER 2.54 $\mu$ m[.000100] THICK NICKEL UNDERPLATE.
- 3. PLUG WILL ACCEPT 24 OR 26 AWG SOLID WIRE HAVING A MAXIMUM INSULATION DIAMETER OF 0.99[.039] WITH AN OVAL CABLE JACKET OF 2.29 X 6.61 [.090 X .260] MAXIMUM.
- ④ TERMINATED DIMENSION 6.15[.242] MAXIMUM.
- ⑤ PACKAGED 1000 LOOSE PIECES PER CARTON.



⑤	5-556200-2
PACKAGED	PART NUMBER

THIS DRAWING IS A CONTROLLED DOCUMENT.		DWN	J GALLUCCI/UTA	4-4-94	 TE Connectivity MODULAR PLUG ASSEMBLY, 4 POSITION, SOLID WIRE, HANDSET		
DIMENSIONS: INCHES		CHK	N. JONES	4-9-94			
TOLERANCES UNLESS OTHERWISE SPECIFIED:		APVD	-	-			
0 PLC ± - 1 PLC ± - 2 PLC ± - 3 PLC ± - 4 PLC ± - ANGLES ± -		PRODUCT SPEC	108-1163	NAME			
MATERIAL	FINISH	APPLICATION SPEC	114-6016	SIZE	CAGE CODE	DRAWING NO	RESTRICTED TO
-②	-②	WEIGHT	-	A2	00779	C=556200	-
CUSTOMER DRAWING				SCALE	4:1	SHEET	1 of 1
				REV	B		

CUSTOMER DRAWING