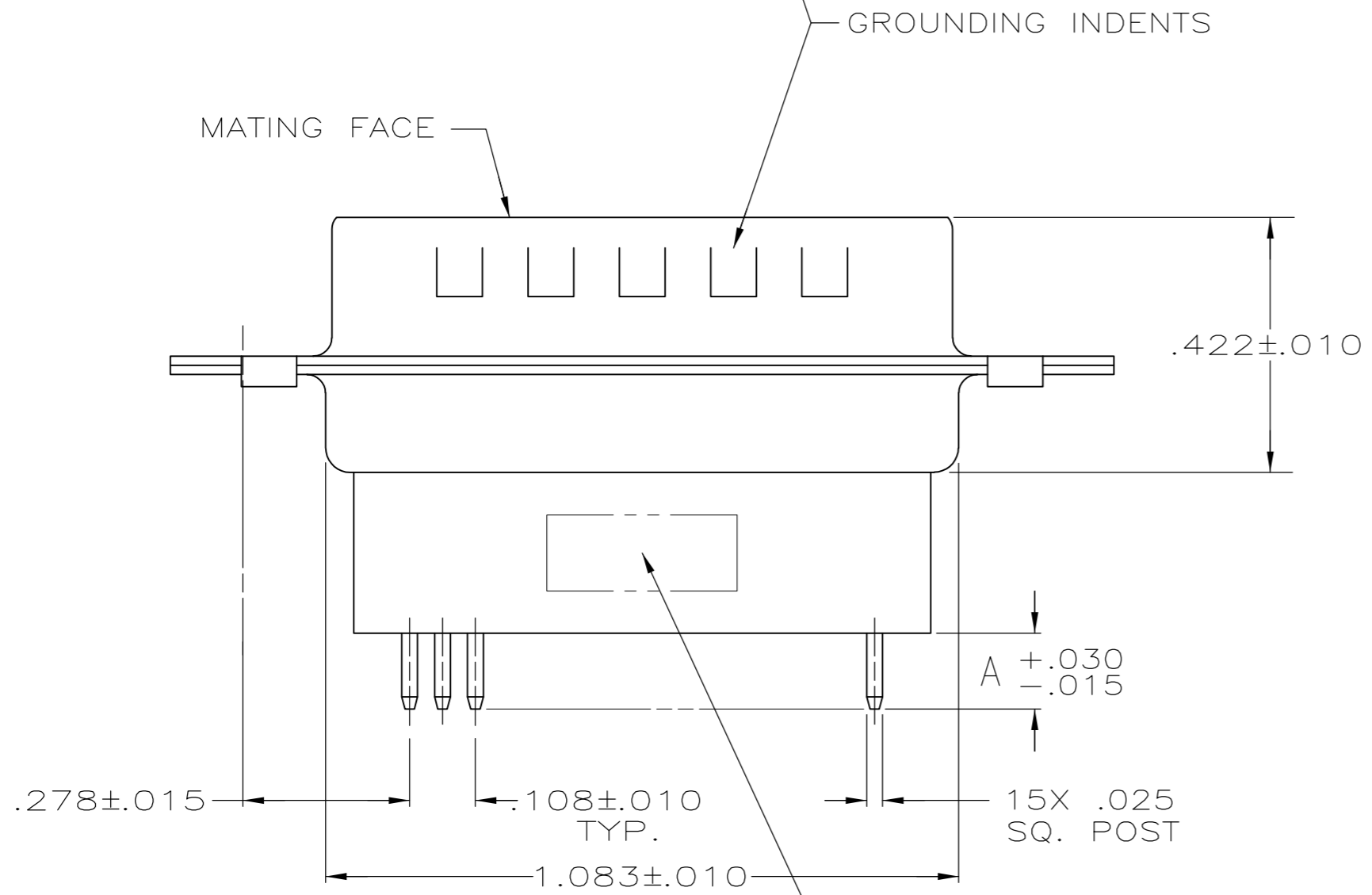
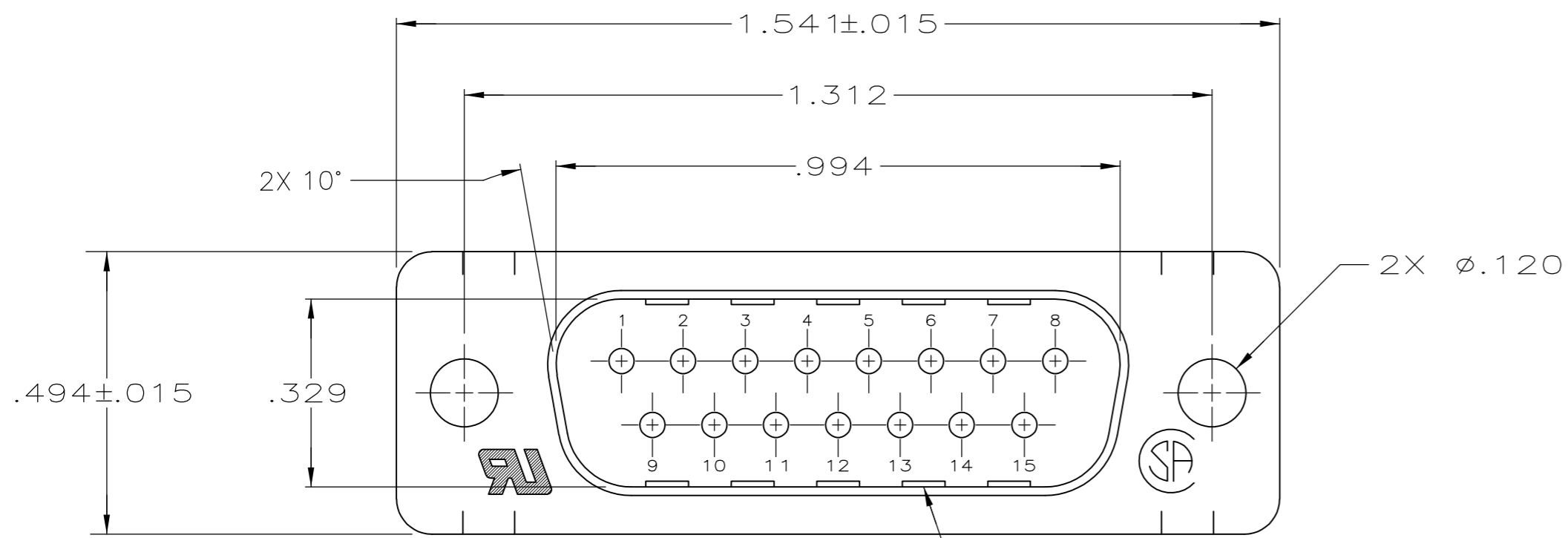
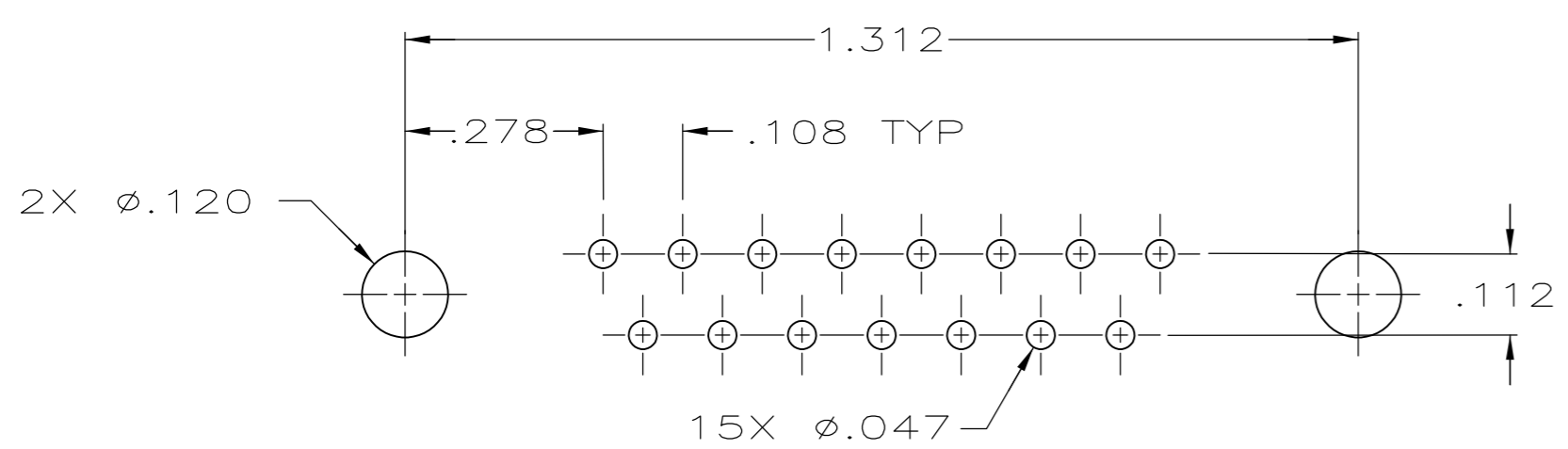


THIS DRAWING IS UNPUBLISHED. RELEASED FOR PUBLICATION
 © COPYRIGHT - By - ALL RIGHTS RESERVED.

LOC	DIST	REVISIONS					
GP	00	P	LTR	DESCRIPTION	DATE	DWN	APVD
		K		REVISED PER ECO-14-011808	12AUG2014	AP	SB

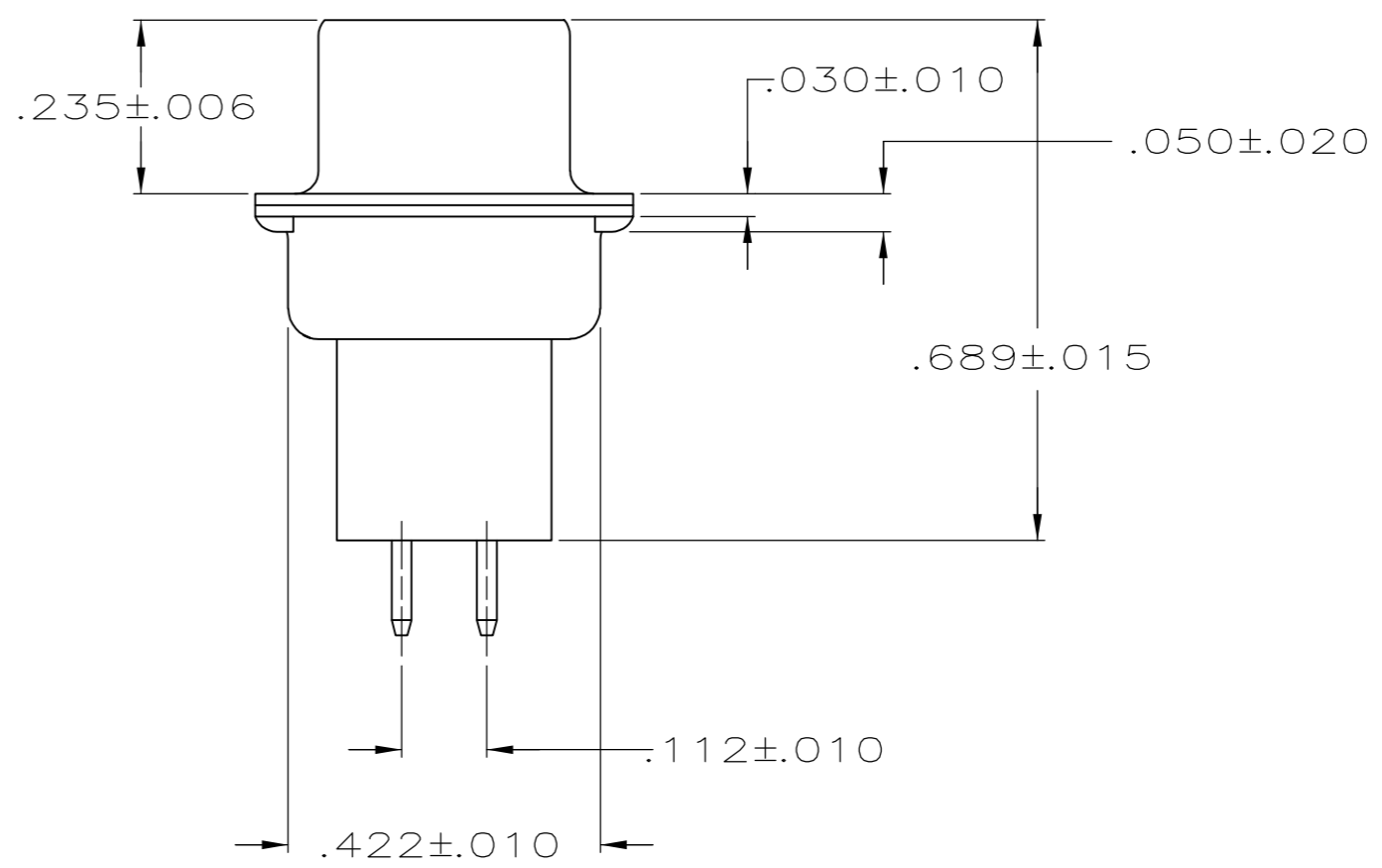


"AMP", PART NO. & DATE CODE, STAMPED IN AREA INDICATED, ON FAR SIDE



P.C. BOARD MOUNTING DIMENSIONS

1. NOTE DELETED.
2. MOLDED PARTS: GLASS-FILLED PBT OR GLASS-FILLED NYLON, UL94V-0 RATED. COLOR: BLACK.
CONTACT: BRASS
SHELLS: STEEL
3. GOLD FLASH FOR A LENGTH OF .150 MIN FROM MATING END .000100 MIN TIN-LEAD ON OPPOSITE END, ALL OVER .000050 MIN NICKEL.
4. GOLD PLATED FOR A LENGTH OF .150 FROM MATING END, .000030 MIN GOLD IN MATED AREA, .000100 MIN TIN-LEAD ON OPPOSITE END, ALL OVER .000050 MIN NICKEL.
-OR-
GOLD FLASH OVER PALLADIUM-NICKEL PLATED FOR LENGTH OF .150 MIN FROM MATING END, .000030 MIN TOTAL IN MATED AREA, .000100 MIN TIN-LEAD ON OPPOSITE END, ALL OVER .000050 MIN NICKEL.
5. .000200 MIN TIN OVER .000100 MIN COPPER.



SUPSD BY	REVISION	DIMENSION A	PART NUMBER
745411-1	3	.188	745411-8
745411-1	4	.188	745411-7
	3	.651	745411-6
	4	.651	745411-5
	3	.427	745411-4
	4	.427	745411-3
745411-1	3	.125	745411-2
	4	.125	745411-1

THIS DRAWING IS A CONTROLLED DOCUMENT.		DWN J. GERACE 10-25-83	TE TE Connectivity
DIMENSIONS: INCHES		CHK J. GERACE 10-25-83	
TOLERANCES UNLESS OTHERWISE SPECIFIED:		APVD B. TAYLOR 1-4-84	NAME PLUG ASSEMBLY, SIZE 2, 15 POS, VERTICAL, W/ GROUNDING INDENTS, AMPLIMITE
0 PLC ± -		PRODUCT SPEC 108-40025	
1 PLC ± -		APPLICATION SPEC 114-40013	SIZE A2
2 PLC ± .005		WEIGHT -	CAGE CODE 00779
3 PLC ± -		FINISH	DRAWING NO C=745411
4 PLC ± -		SHIELDS: 5	RESTRICTED TO -
ANGLES ± 2°		CONTACTS: SEE TABLE	SCALE NTS
MATERIAL 2		CUSTOMER DRAWING	SHEET 1 of 1
			REV K