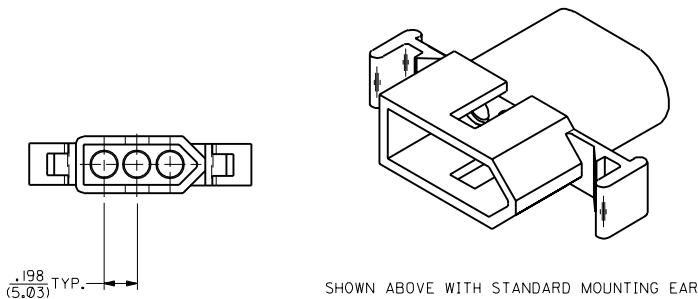
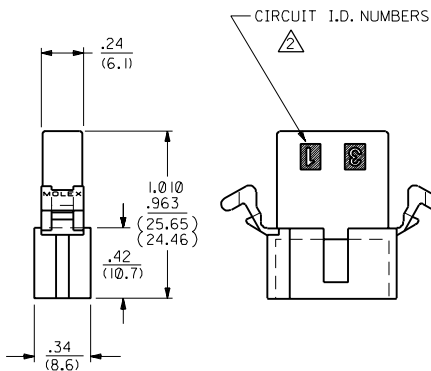
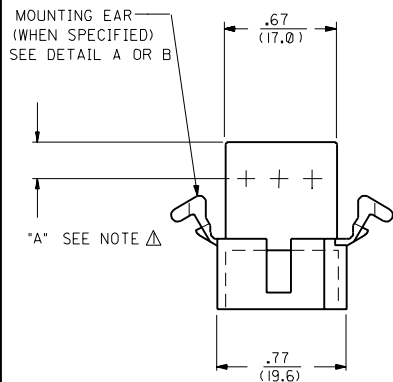
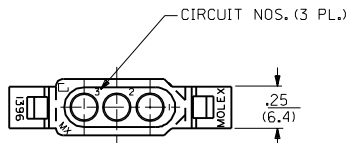
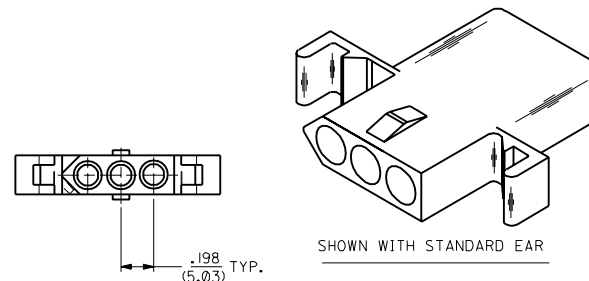
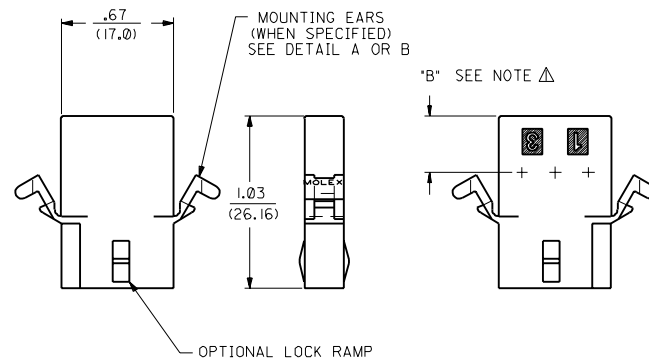
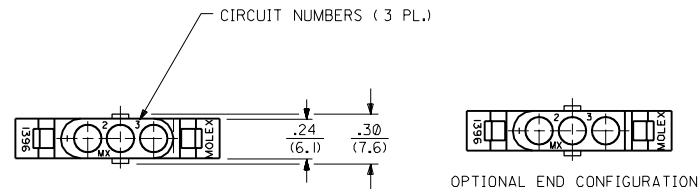


PLUG



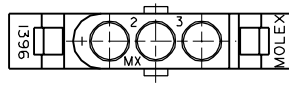
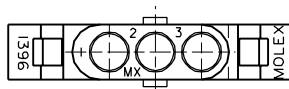
RECEPTACLE



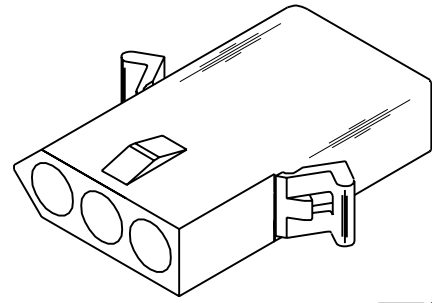
NOTES:
 Δ DIMENSION FROM THE BACK OF HOUSING TO THE END OF THE BRUSH ON THE WIRE INSERTED INTO THE HOUSING
 DIM "A" = .256/6.50 FOR 42477 & 42478 TERMINALS
 .216/5.49 FOR ALL OTHER .093 TERMINALS
 DIM "B" = .377/9.58 FOR 42477 & 42478 TERMINALS
 .337/8.56 FOR ALL OTHER .093 TERMINALS

DIMENSIONS SHOWN (METRIC) INCH		▽ = 0 ▼ = 0		REVISE ONLY ON CAD SYSTEM	
UNLESS OTHERWISE SPECIFIED TOLERANCES ANGULAR ± 1/2°		TITLE		.093/(2.36) HOUSING, PLUG & RECEPTACLE	
INCH METRIC		PART NO.		SHEET NO.	
3 PLACE ± .010 ---		L15LEJLL		DATE	
2 PLACE ± .014 ± 0.25		MOLEX INCORPORATED		1 of 2	
1 PLACE --- ± 0.36		L15LEJLL 60532 U.S.A.		4 / 3 / 88	
DRAFT WHERE APPLICABLE MUST REMAIN WITHIN DIMENSIONS		DRAWING NO.		SD-1396-•	
DRAWN BY JUS		FILE NAME		DIV.	
CHECKED BY RW		SEE SHEET 2		SIZE	
APP'D. RAS		SCALE 2 : 1		CP C	
		THIS DRAWING CONTAINS INFORMATION THAT IS PROPRIETARY TO MOLEX INC. AND SHOULD NOT BE USED WITHOUT WRITTEN PERMISSION.			

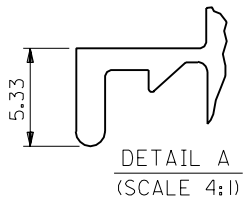
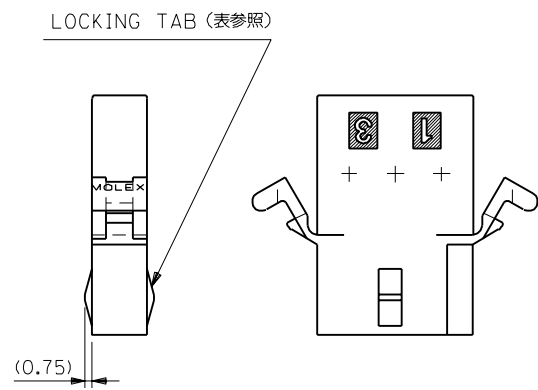
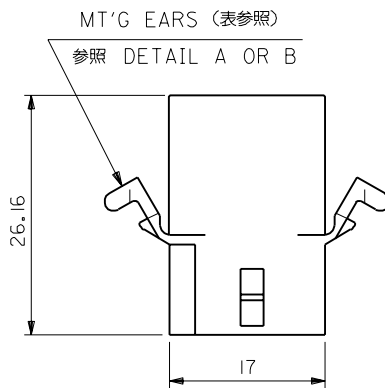
Y3	REVISED PER UCR2000-0583 3/1/90 DDS			
Y2	REMOVE -R3, -R5 VER. PER ECN #16 1479 6-10-96 RW			
Y1	X-REMOVE 1396-R4 ECR U3 1583 GC 10/26/93 RW			
Y	ADD CKT. I.D. #'S PER ECR U3 0683 GC 5/4/93 RW			
X	REV MAT'L SPECS. ECR U2-1491 10-08-92 A.GUZIK			
W1	ADD -D VERSIONS. ECR U1 1106 GC 7/25/91 RW			
W	REVISE ON CAD ECR #UB 1381 JJS 4-24-88 RW			
2	Y2			
1	Y3			
MFG.	SH.	REV.	LTR.	REVISIONS



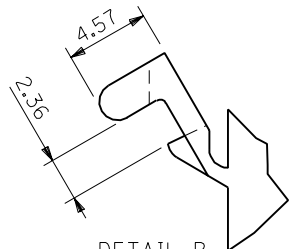
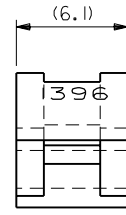
OPTIONAL END CONFIGURATION



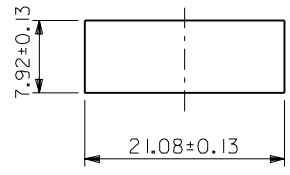
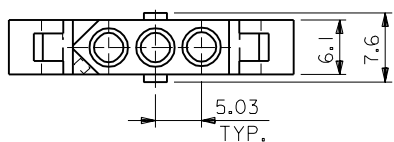
RECEPTACLE



DETAIL A (SCALE 4:1)



DETAIL B (SCALE 4:1)



パネル取付穴寸法
(パネル厚 2.29最大)

I396R4	03-09-1081	有	WITH	有	WITH DETAIL B
I396R2	03-09-1033	無	WITHOUT	無	WITHOUT
I396R1	03-09-1032	有	WITH	無	WITHOUT
I396R	03-09-1031	有	WITH	有	WITH DETAIL A
ENG. NO.	EDP NO.	LOCKING TABS	MT'G EARS		

DO NOT SCALE DRAWING

EC NO. DRWN: CHK: APPR:	EC NO. DRWN: CHK: APPR:	EC NO. DRWN: CHK: APPR:	EC NO. DRWN: CHK: APPR:	RELEASED EC NO. JC2001-0078 DRWN: K.KOHAMA '00/08/28 CHK: T.YAMAGUCHI APPR: M.FUKUSHIMA
----------------------------------	----------------------------------	----------------------------------	----------------------------------	---

MATERIAL 材料	NYLON66 94V-2
FINISH 仕上り	
WIRE RANGE 適用線径範囲	
INS. RANGE 被覆径	

GENERAL TOLERANCES: (UNLESS SPECIFIED) 一般公差	SCALE 2 : 1	DESIGN UNITS <input checked="" type="checkbox"/> mm <input type="checkbox"/> INCH
10 UNDER 未満	+0.25 ±0.25	DRAWN BY & DATE K.KOHAMA '00/08/28
10 OVER 以上	+0.3 ±0.25	CHECKED BY & DATE T.YAMAGUCHI '00/08/28
30 OVER 以上	+0.35 ±0.3	APPROVED BY & DATE M.FUKUSHIMA '00/08/28
ANGLE 角度	+3°	CAD FILENAME I396001.S01

MODEL NO.	03-09-1***	DIMENSIONS:	SHT	REV
		<input type="checkbox"/> mm <input type="checkbox"/> INCH <input checked="" type="checkbox"/> mm ONLY		
THIRD ANGLE PROJECTION		REVISE ON CAD ONLY		
TITLE: 3 CIRCUITS RCPT HSG (0.093 DIA TERMINAL)				
MATERIAL NO. SEE NOTES		DRAWING NO. SD-1396-001		SHEET NO. 1 OF 1
MOLEX INCORPORATED				
THIS DRAWING CONTAINS INFORMATION THAT IS PROPRIETARY TO MOLEX INCORPORATED AND SHOULD NOT BE USED WITHOUT WRITTEN PERMISSION.				
				SIZE B