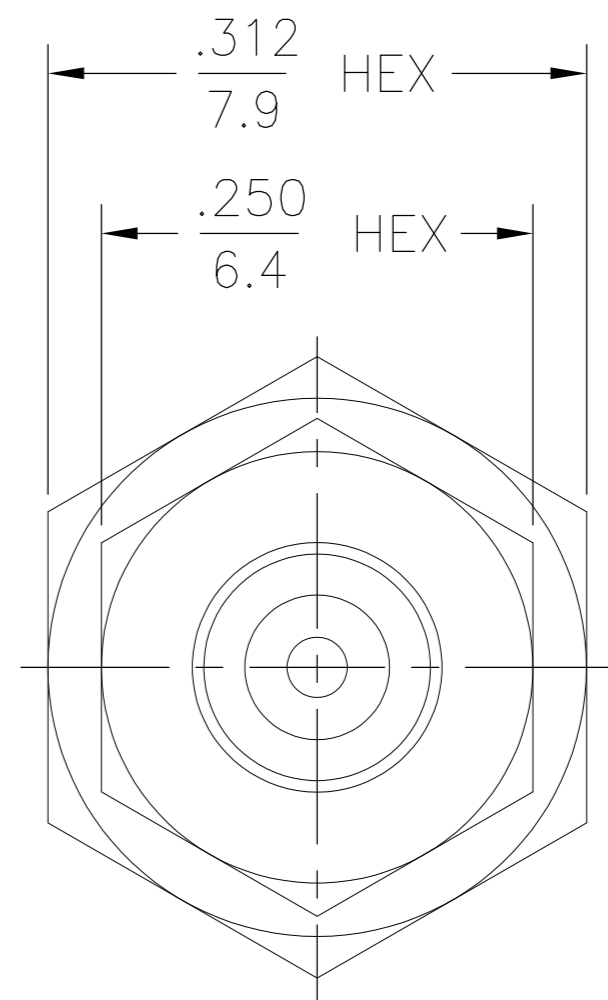
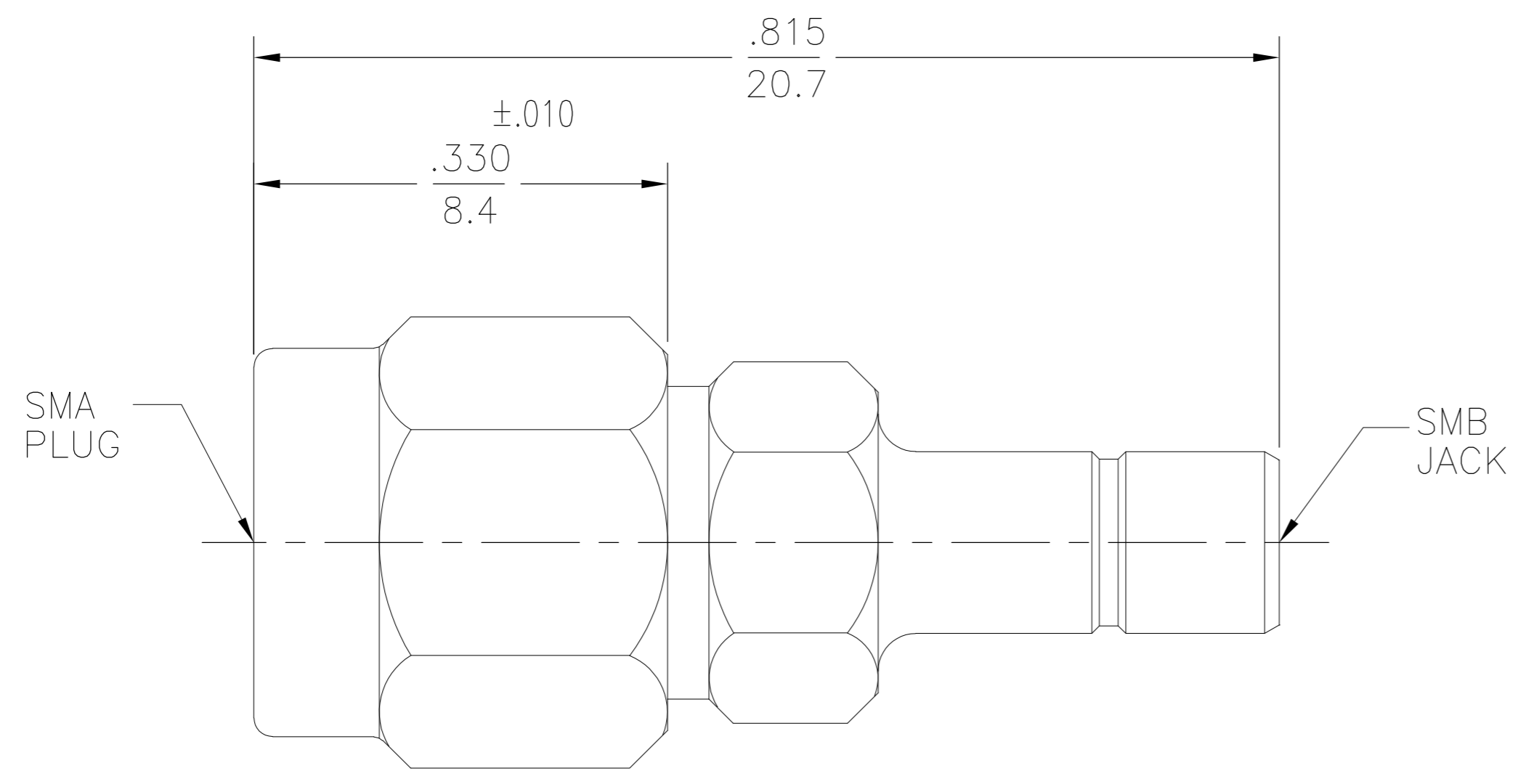


THIS DRAWING IS UNPUBLISHED. RELEASED FOR PUBLICATION
 © COPYRIGHT BY TYCO ELECTRONICS CORPORATION. ALL RIGHTS RESERVED.

LOC		DIST		REVISIONS					
AJ		00		P	LTR	DESCRIPTION	DATE	DWN	APVD
				C		REV PER ECO 08-026436	2DEC2008	DW	JL



ELECTRICAL	MECHANICAL	ENVIRONMENTAL
Nominal Impedance (Ohms) <u>50</u>	Interface Dimensions	TEMPERATURE RATING <u>-65°C TO +125°C</u>
Frequency Range (GHz) DC to <u>4.0</u>	<u>SMB MIL-STD-348A 311-1</u>	Vibration MIL-STD-202, Method
Volt Rating (VRMS MAX)	<u>OSM MIL-STD-348A 310-1</u>	204, Condition B
@ Sea Level <u>.335</u>	Recommended Mating Torque	Shock MIL-STD-202, Method 213,
VSWR <u>1.25+.04f(GHz)</u>	<u>7-10 In-Lbs</u>	Condition B
Insertion Loss (dB MAX) <u>.03 @ 1.5GHz</u>	Mating Characteristics:	Thermal Shock MIL-STD-202,
RF Leakage (dB MIN) <u>-55 @ 2 to 3 GHz</u>		Method 107, Condition B,
Corona, 70,000 Ft (VRMS MIN) <u>250</u>	Insertion <u>SMB 2.5 OSM 3.0</u>	EXCEPT HIGH TEMP +85°C
Dielectric Withstanding Voltage	Withdrawal <u>SMB 1.0 OSM 2.0</u>	Moisture Resistance MIL-STD-202,
(VRMS MIN) @ Sea Level <u>1,000</u>	Force to Engage/Disengage (Lbs)	Method 106 Shall Be Omitted
Contact Resistance (Milliohms MAX)		Corrosion - MIL-STD-202, Method
Center Contact <u>SMB 6.0 OSM 2.0</u>		101, Condition B, 5% salt spray
Outer Contact <u>SMB 1.0 OSM 2.0</u>	Contact Retention	
RF High Potential @ Sea Level	Axial (Lbs) <u>6.0</u>	
(VRMS MIN @ 5 MHz) <u>700</u>	Radial (In-Oz) <u>4.0</u>	
I.R.(Megohms MIN) <u>1,000</u>	Weight (Grams) <u>TBD</u>	

.XXX = in
 XX.X = mm (REF)

1060500-1
 PART NUMBER

COMPONENT	MATERIAL	FINISH
HOUSING COUPLING NUT	STAINLESS STEEL PER ASTM-A484 AND ASTM-A582, TYPE 303	PASSIVATE PER QQ-P-35
DIELECTRIC	PTFE FLUOROCARBON PER ASTM-D-1457	N/A
CENTER CONTACT	BRASS PER ASTM-B-16	GOLD PLATE PER MIL-G-45204
RETAINING RING	BERYLLIUM COPPER PER ASTM-B-194, ALLOY C17200, CONDITION H	N/A
GASKET	SILICONE RUBBER PER ZZ-R-765	N/A

THIS DRAWING IS A CONTROLLED DOCUMENT.

DWN	RBG	8/3/77	Tyco Electronics Corporation Harrisburg, PA 17105-3608
CHK	KWW	8/3/77	
APVD	RMF	8/3/77	
PRODUCT SPEC			
APPLICATION SPEC			NAME
			SMA PLUG TO SMB JACK ADAPTER
MATERIAL	FINISH	WEIGHT	SIZE
-	-	-	A2
CUSTOMER DRAWING			CAGE CODE
			00779
			DRAWING NO
			C=1060500-1
			RESTRICTED TO
			-
			SCALE
			8:1
			SHEET
			1 of 1
			REV
			C