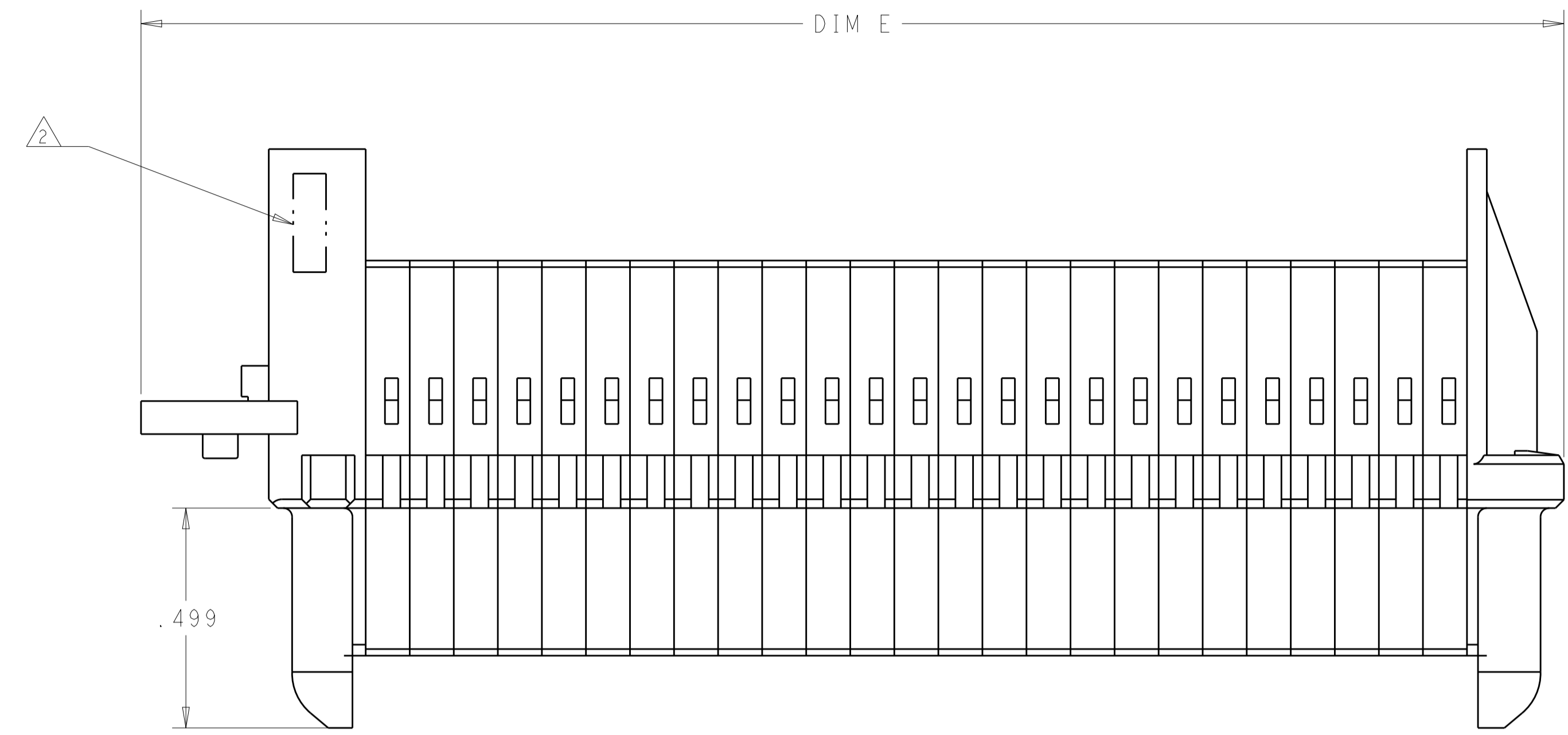
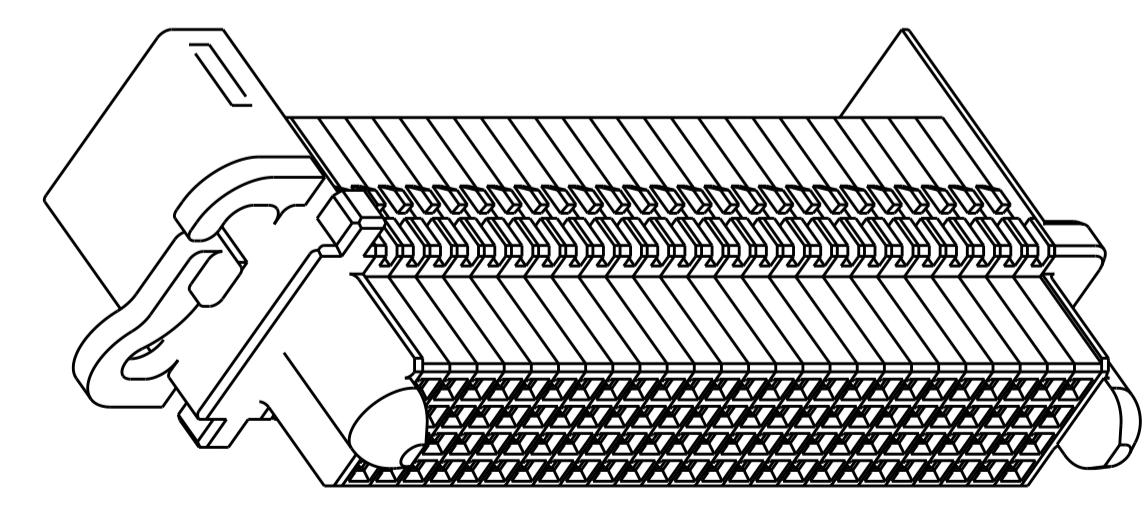
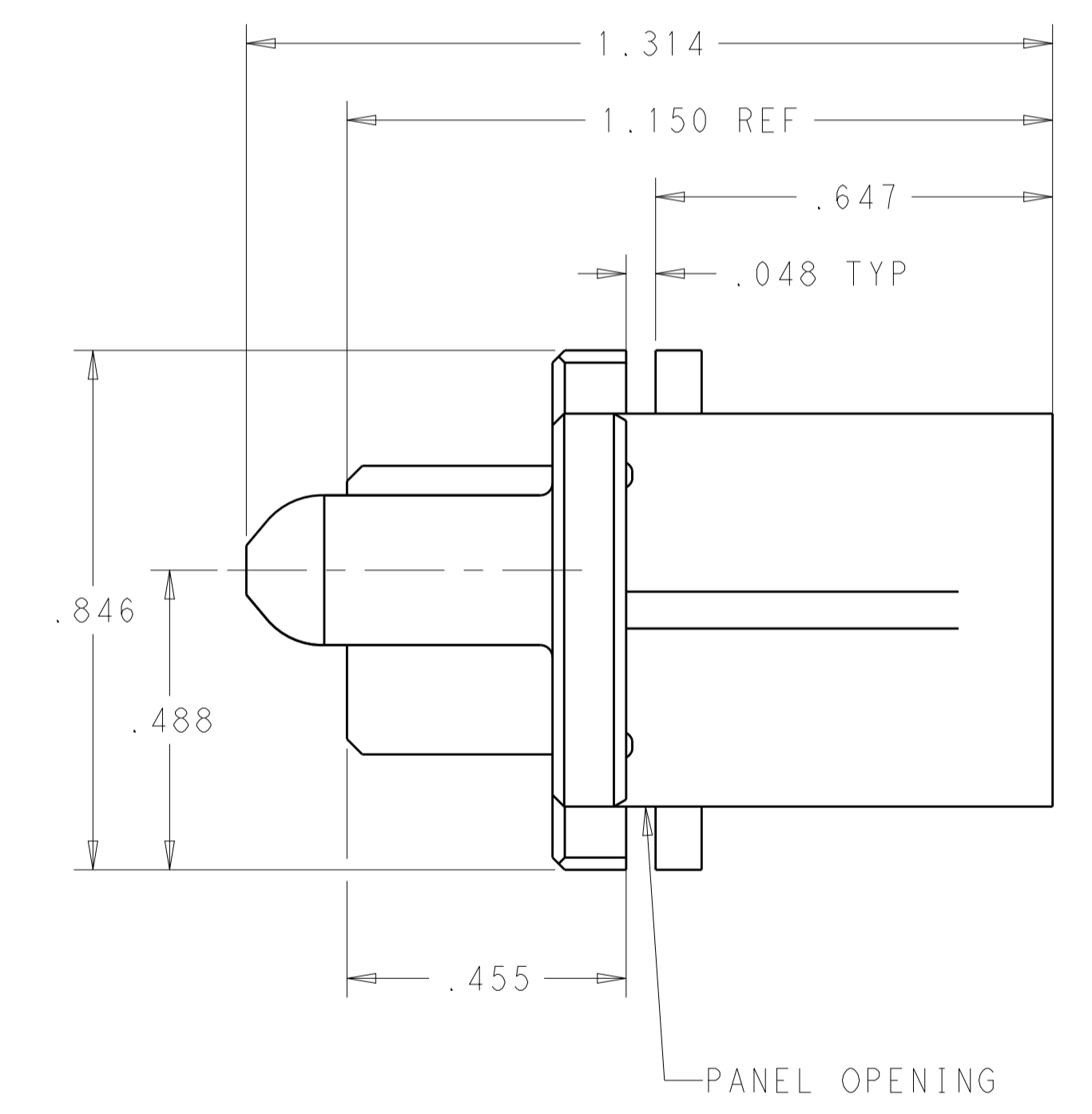
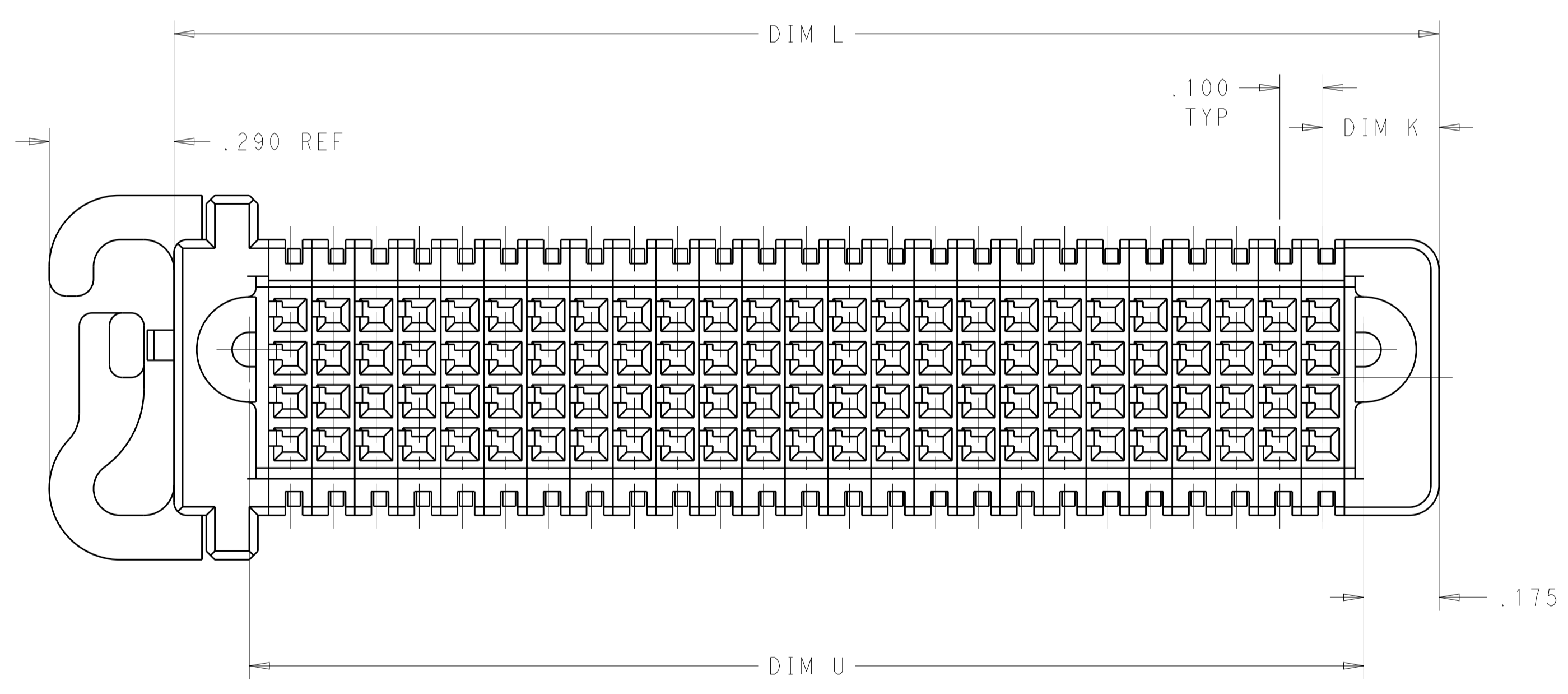
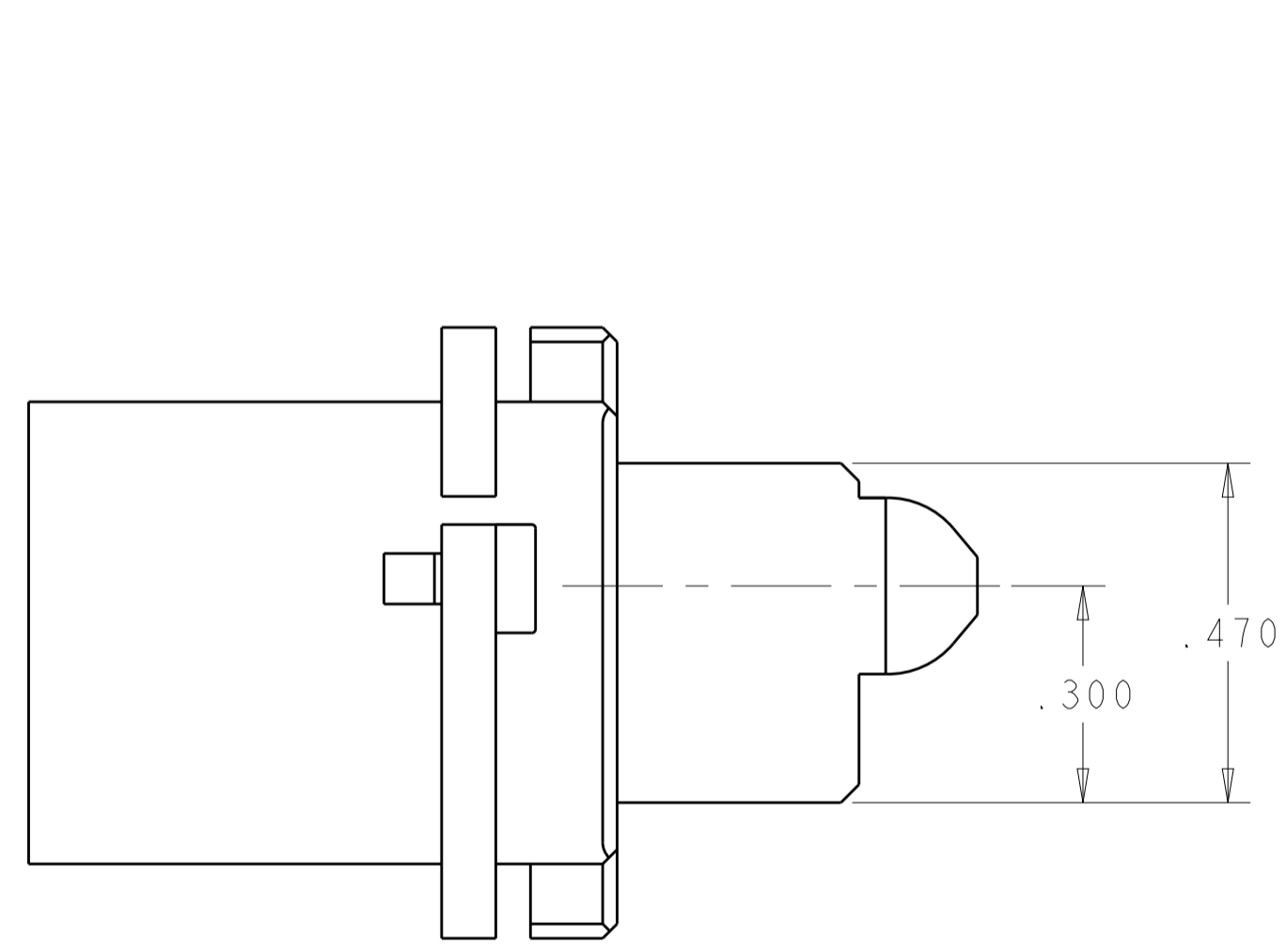


LOC	DIST	REVISIONS					
		P	LTN	DESCRIPTION	DATE	DWN	APVD
		A6		ADD NEW DASH NUMBER -4	09OCT2015	CZ	SZ
		A7		ADD NEW DASH NUMBER -5	30MAR2016	CZ	SZ
		A8		REV PER ECO-17-005580	14MAR2017	WY	SZ



- 1. MATERIAL: THERMO PLASTIC, UL94 V-0.
- 2. COMPANY TRADEMARK, PART NUMBER, AND DATE CODE TO BE MARKED IN AREA SHOWN.
- 3. PANEL THICKNESS = .040 ± .005.
- 4. CONNECTOR KEEP OUT ZONE.
- 5. SIGNAL CONTACT REFERENCE:  
PART NUMBER: 5531216  
MATERIAL: COPPER ALLOY



1.440	.800	1.150	.375	20S	1892912-6
1.230	.590	.940	.370	16S	1892912-5
1.130	.490	.840	.370	12S	1892912-4
2.055	1.415	1.765	.345	48S	1892912-3
1.405	.765	1.115	.345	24S	1892912-2
3.230	2.590	2.940	.270	100S	1892912-1
DIM E REF	DIM U	DIM L	DIM K	DESCRIPTION	PART NUMBER

THIS DRAWING IS A CONTROLLED DOCUMENT.

DIMENSIONS: INCHES

TOLERANCES UNLESS OTHERWISE SPECIFIED:

0 PLC	±
1 PLC	±.01
2 PLC	±.005
3 PLC	±.002
4 PLC	±.002
ANGLES	±1°

MATERIAL: - FINISH: -

APPROVED: ANDY YANG, ZOMAY2011

CHECKED: ANDY YANG, ZOMAY2011

DESIGNED: SUNYI ZHAO, ZOMAY2011

PRODUCT SPEC: - APPLICATION SPEC: -

WEIGHT: -

CUSTOMER DRAWING

SCALE: 1:1 SHEET 1 OF 3 REV: A8

NAME: SLIDE TO LOCK PANEL MOUNT CABLE RECEPTACLE HOUSING, WITH GUIDES MULTI-BEAM XLE

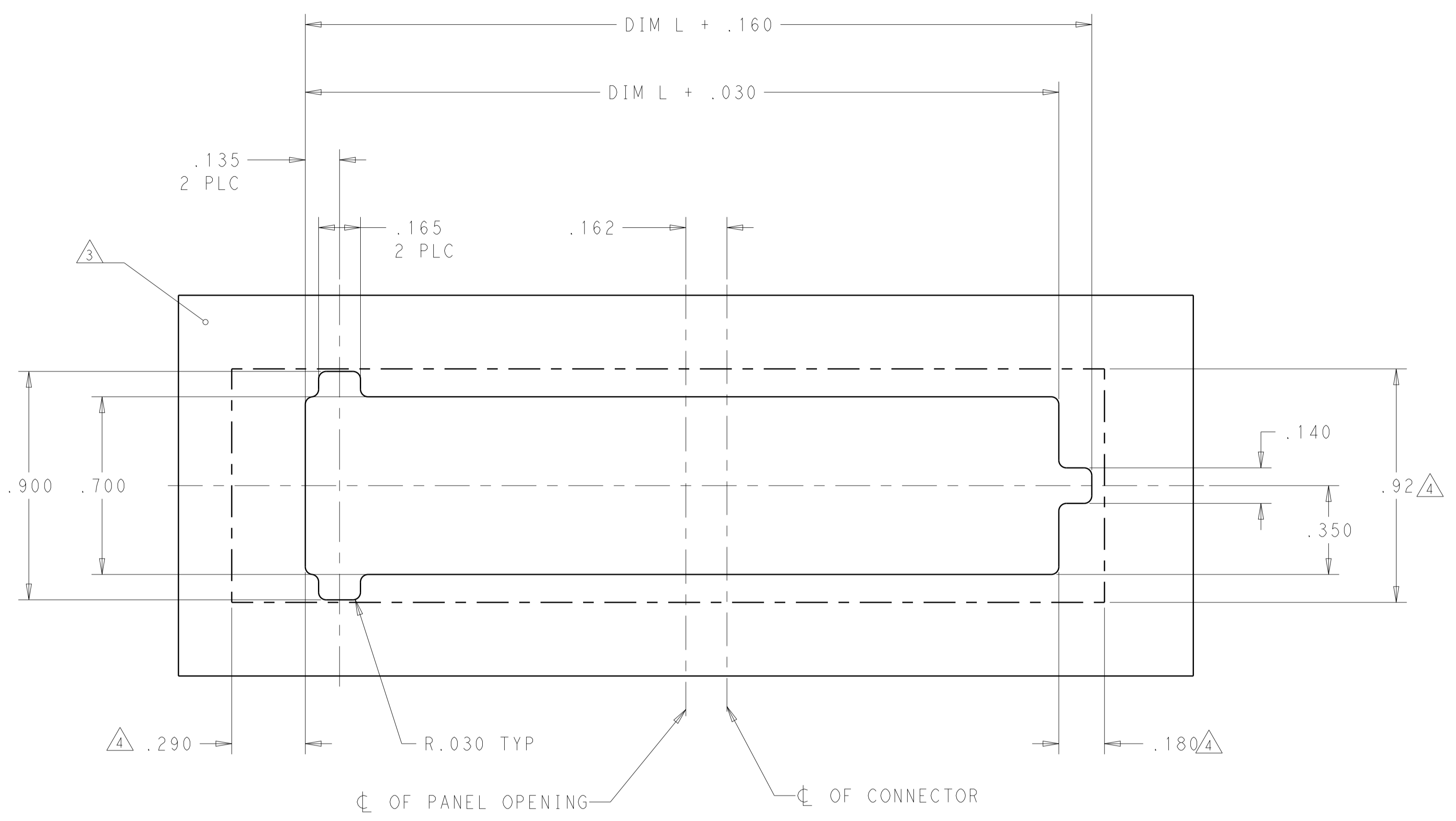
SIZE: A1 CAGE CODE: 100779 DRAWING NO: 1892912

PART NUMBER	ROWS	SIGNAL																								
		25	24	23	22	21	20	19	18	17	16	15	14	13	12	11	10	9	8	7	6	5	4	3	2	1
1892912-1	D	E	E	E	E	E	E	E	E	E	E	E	E	E	E	E	E	E	E	E	E	E	E	E	E	E
	C	E	E	E	E	E	E	E	E	E	E	E	E	E	E	E	E	E	E	E	E	E	E	E	E	E
	B	E	E	E	E	E	E	E	E	E	E	E	E	E	E	E	E	E	E	E	E	E	E	E	E	E
	A	E	E	E	E	E	E	E	E	E	E	E	E	E	E	E	E	E	E	E	E	E	E	E	E	E
100S																										

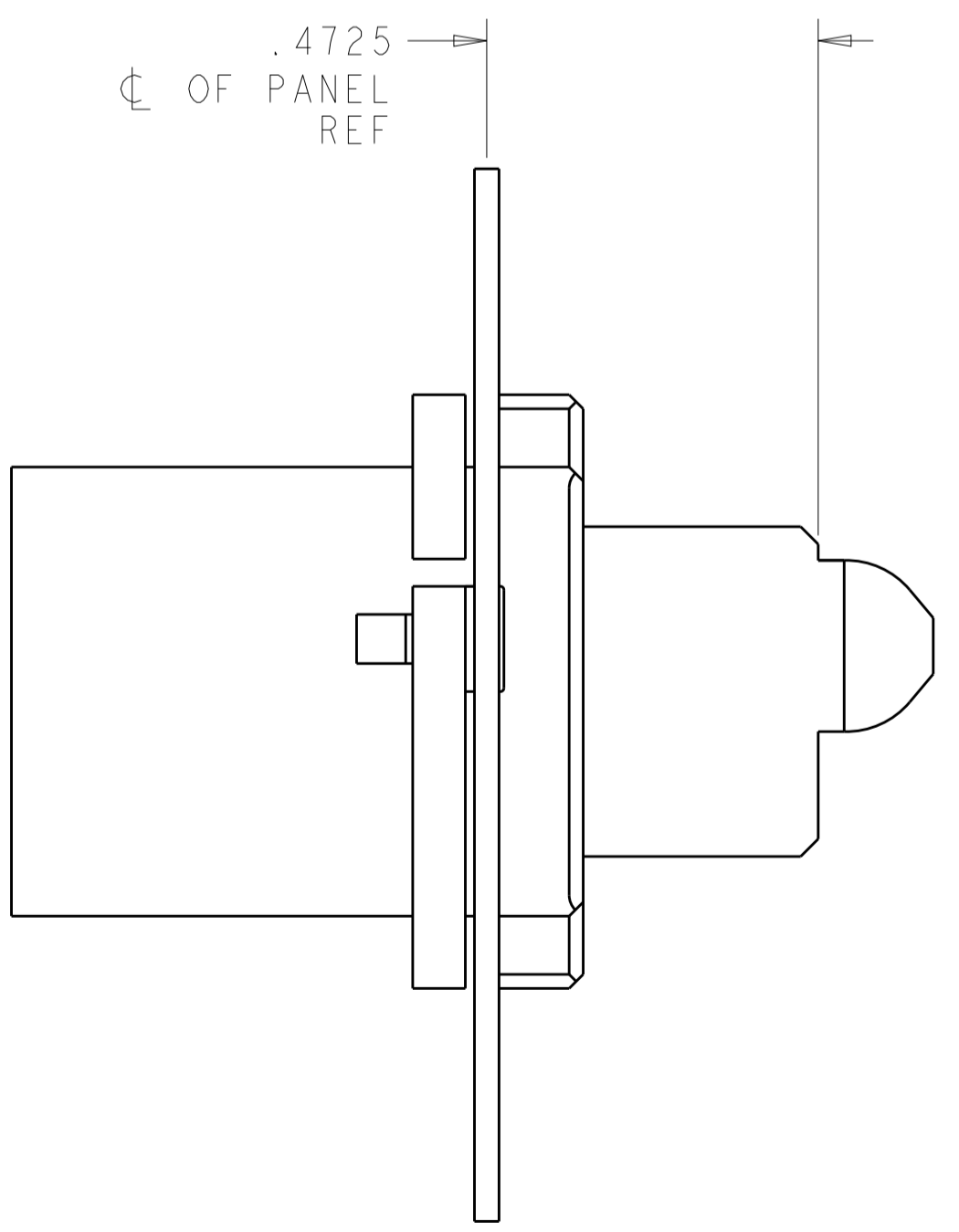
PART NUMBER	ROWS	SIGNAL					
		6	5	4	3	2	1
1892912-2	D	E	E	E	E	E	E
	C	E	E	E	E	E	E
	B	E	E	E	E	E	E
	A	E	E	E	E	E	E
24S							

PART NUMBER	ROWS	SIGNAL											
		12	11	10	9	8	7	6	5	4	3	2	1
1892912-3	D	E	E	E	E	E	E	E	E	E	E	E	E
	C	E	E	E	E	E	E	E	E	E	E	E	E
	B	E	E	E	E	E	E	E	E	E	E	E	E
	A	E	E	E	E	E	E	E	E	E	E	E	E
48S													

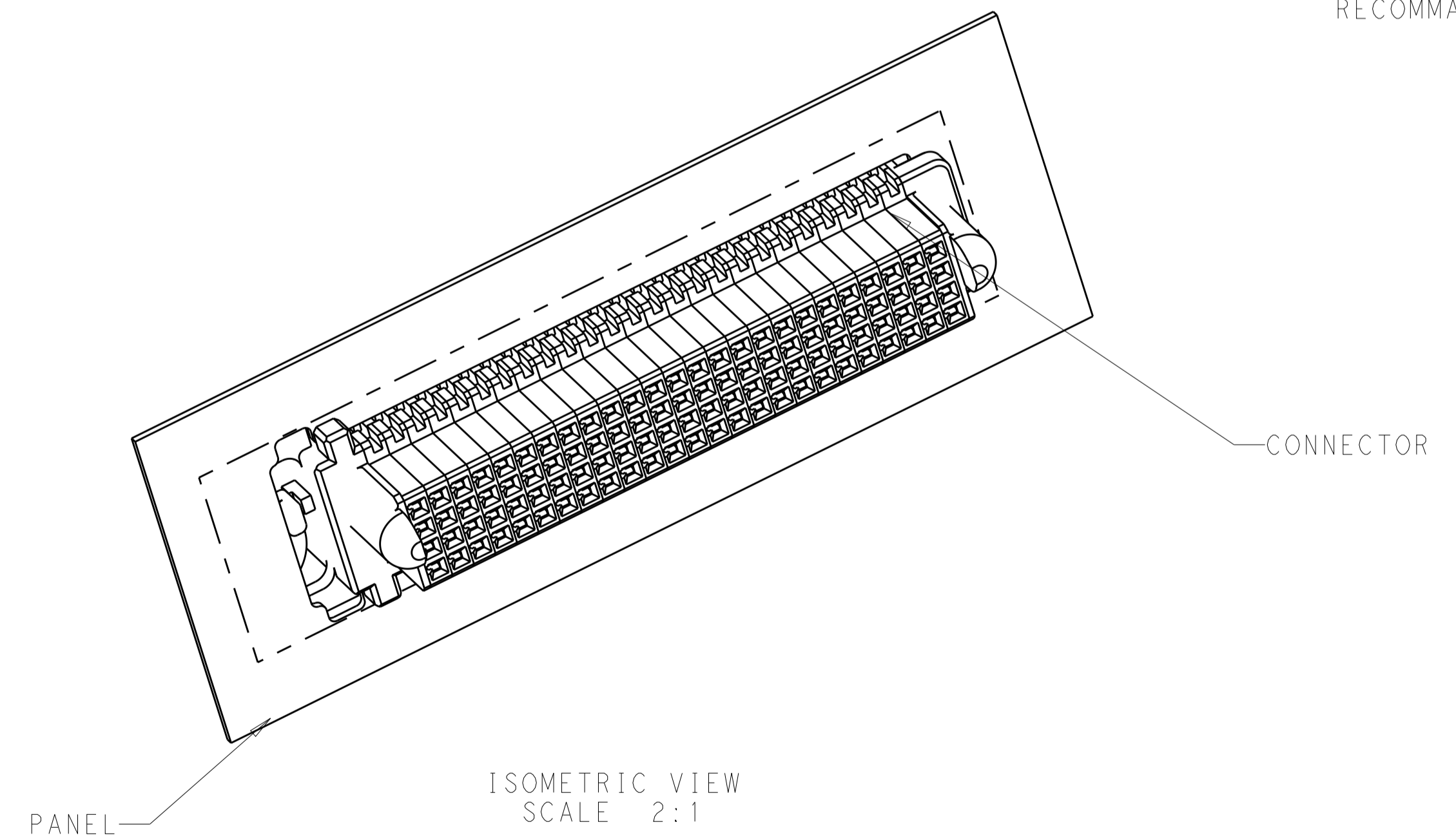
PART NUMBER	ROWS	SIGNAL		
		3	2	1
1892912-4	D	E	E	E
	C	E	E	E
	B	E	E	E
	A	E	E	E
12S				



RECOMMEND PCB LAYOUT



SCALE 4:1



E	SIGNAL CONTACT
CODE	DISCRIPTION
CONTACT TABLE	

THIS DRAWING IS A CONTROLLED DOCUMENT.		OWN ANDY YANG ZOMAY2011	TE Connectivity
DIMENSIONS: INCHES		CHK ANDY YANG ZOMAY2011	
TOLERANCES UNLESS OTHERWISE SPECIFIED:		APVD SUNY ZHAO ZOMAY2011	NAME SLIDE TO LOCK PANEL MOUNT CABLE RECEPTACLE HOUSING, WITH GUIDES MULTI-BEAM XLE
0' PLC ± .01 1' PLC ± .01 2' PLC ± .005 3' PLC ± .005 4' PLC ± .002 ANGLES ± .1°		PRODUCT SPEC	
MATERIAL		APPLICATION SPEC	SIZE CAGE CODE DRAWING NO. RESTRICTED TO A100779C=1892912
FINISH		WEIGHT	
CUSTOMER DRAWING		SCALE 1:1	SHEET 2 OF 3 REV A8


THIS DRAWING IS UNPUBLISHED. RELEASED FOR PUBLICATION 20  
 © COPYRIGHT 20 BY - ALL RIGHTS RESERVED.

LOC		DIST		REVISIONS			
P	LTN	DESCRIPTION	DATE	DWN	APVD		

PART NUMBER	ROWS	SIGNAL			
		4	3	2	1
1892912-5	D	E	E	E	E
	C	E	E	E	E
	B	E	E	E	E
	A	E	E	E	E
16S					

NO CONTACTS LOADED

PART NUMBER	ROWS	SIGNAL				
		5	4	3	2	1
1892912-6	D	E	E	E	E	E
	C	E	E	E	E	E
	B	E	E	E	E	E
	A	E	E	E	E	E
20S						

THIS DRAWING IS A CONTROLLED DOCUMENT.		DWN ANDY YANG ZOMAY2011	 TE Connectivity
DIMENSIONS: INCHES		CHK ANDY YANG ZOMAY2011	
TOLERANCES UNLESS OTHERWISE SPECIFIED:		APVD SUNY ZHAO ZOMAY2011	NAME SLIDE TO LOCK PANEL MOUNT CABLE RECEPTACLE HOUSING, WITH GUIDES MULTI-BEAM XLE
0 PLC ±		PRODUCT SPEC	SIZE CAGE CODE DRAWING NO
1 PLC ±.01		APPLICATION SPEC	A100779C=1892912
2 PLC ±.01		RESTRICTED TO	
3 PLC ±.005		WEIGHT	
4 PLC ±.002		CUSTOMER DRAWING	SCALE 1:1 SHEET 3 OF 3 REV A8
ANGLES ±1°			
FINISH			