

Temperature sensors AS Part number 89750150



- Integrated converter : 0-10 V output for direct connection to the Millennium 3 analogue inputs

Part numbers

| | Type | Description | Range | Accuracy | Supply | Protection casing | Protection probe |
|----------|------|-------------|-------------|-----------------|---------|-------------------|------------------|
| 89750150 | AS | Zone/space | -10 →+40 °C | -0.2 °C +1.2 °C | 24 V DC | IP30 | - |

Specifications

Environmental characteristics

| | |
|---------------------|--------------------|
| Ambient temperature | -10 →+60 °C |
| Ambient humidity | 5 →95 % RH |
| Housing material | Self-extinguishing |

Electrical characteristics

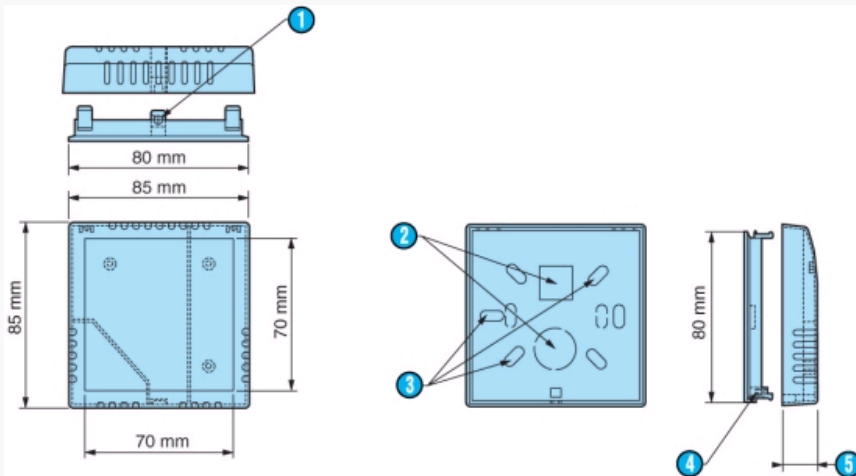
| | |
|---------------------------------|--------------------------|
| Supply voltage | 24 V DC (± 10 %) |
| Output | 0 →10 V DC |
| Drift Temperature (%/ °C) | 0.01 %/ °C of full scale |
| Temperature coefficients Offset | 1,5 mV / °C |

Accessories

| Accessories | Operating temperature | Operating pressure | Code |
|---------------------------------------|-----------------------|--------------------|----------|
| Copper protective sleeve | -20 →+100 °C | 10 bar | 89750146 |
| 316 stainless steel protective sleeve | -20 →+400 °C | 16 bar | 89750147 |

Dimensions (mm)

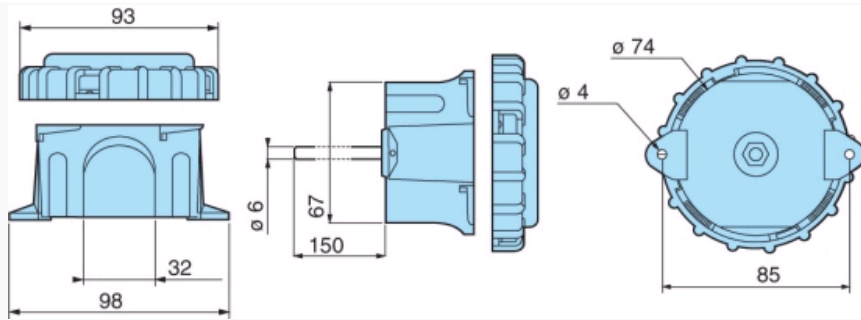
89750150



| N° | Legend |
|----|---------------------------------|
| ① | Ø3 mm for M3 x 8 screw |
| ② | Cut-outs made prior to delivery |
| ③ | Fixing holes |
| ④ | Indentation for M3 square nut |
| ⑤ | Total depth 26 mm |

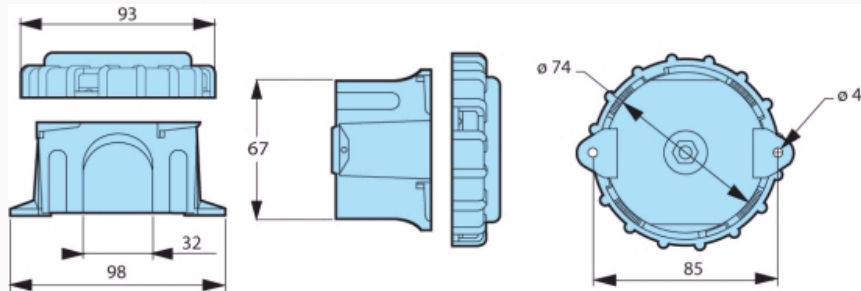
Dimensions (mm)

89750151



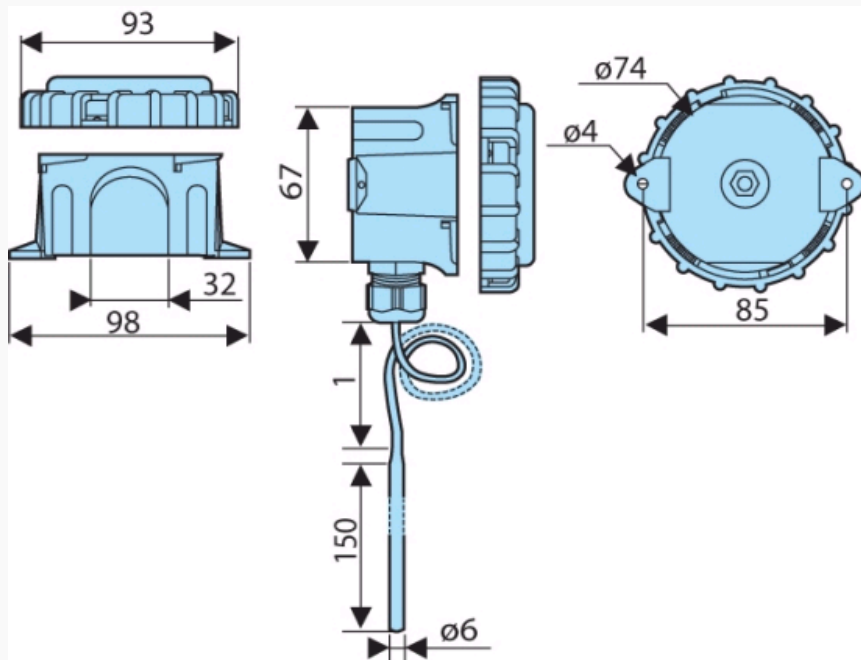
Dimensions (mm)

89750152



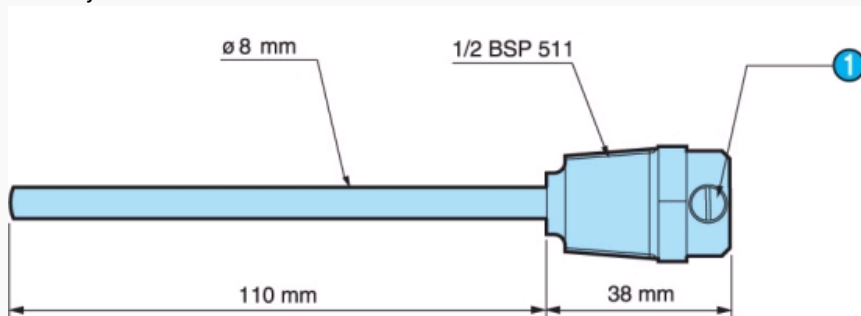
Dimensions (mm)

89750153 and 89750155



Dimensions (mm)

Accessory 89750147 for 89750153 and 89750155



N°

Legend



M4 screw