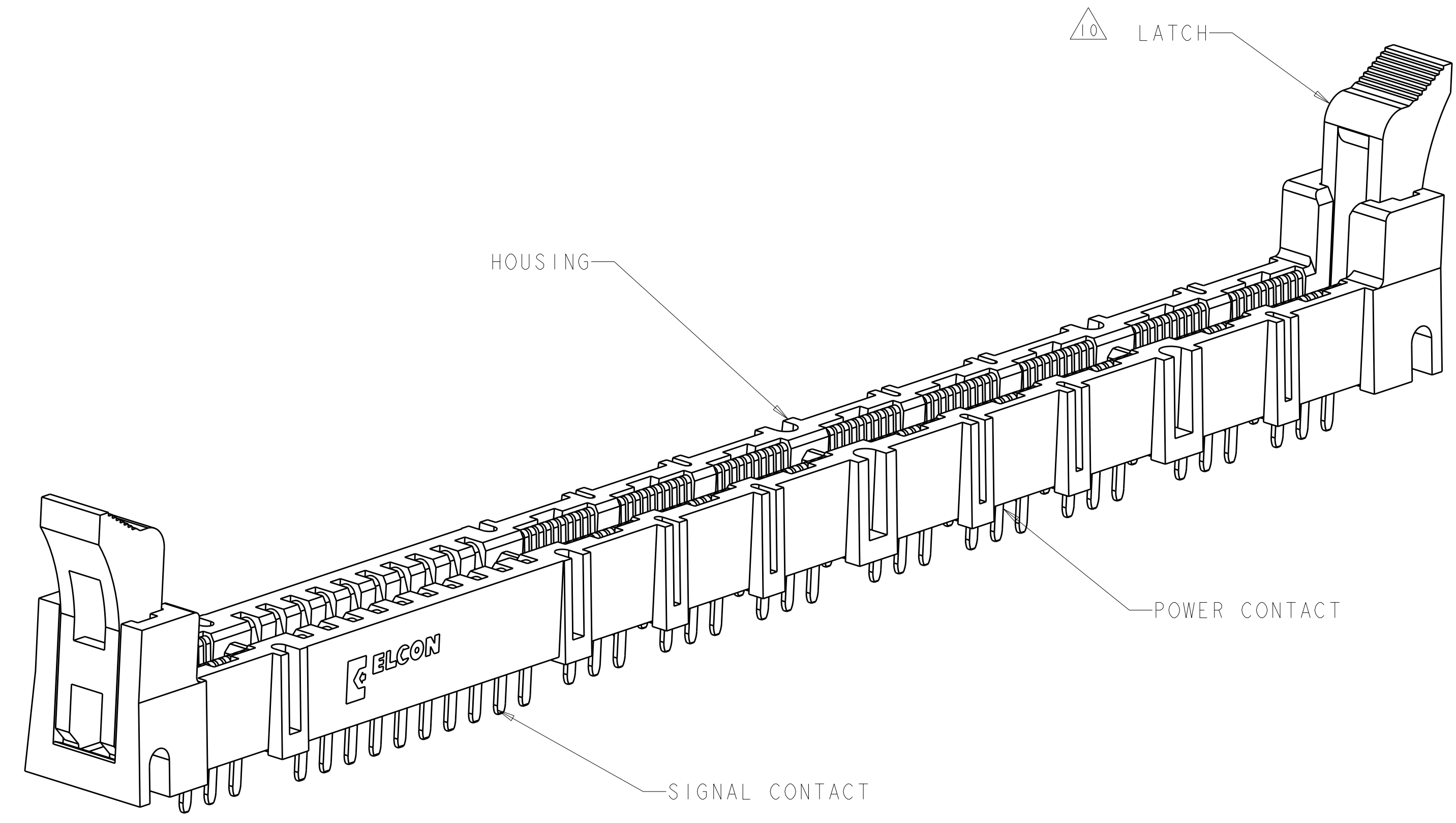


| LOC | DIST | REVISIONS | | | |
|-----|------|-----------|-----------|----|------|
| | | REV | DATE | BY | APPD |
| GP | 00 | A | 08JAN2009 | RG | PD |
| | | B | 08JAN2010 | RG | MS |
| | | BI | 25FEB2010 | RG | MS |



1. PART NUMBER CHANGES AND OR DESIGN CHANGES AFFECTING ITEM INTERCHANGEABILITY REQUIRE PRIOR TYCO ELECTRONICS APPROVAL AND AUTHORIZATION BY REVISION TO THIS DRAWING.

2. MATERIAL:
 HOUSING: GLASS FILLED POLYESTER, COLOR-BLACK
 UL94V-0 FLAMMABILITY RATED
 LATCHES: THERMOPLASTIC, GLASS REINFORCED
 COLOR: BLACK, UL94V-0 FLAMMABILITY RATED
 CONTACTS: COPPER ALLOY

3. FINISH:
 CONTACTS:
 GOLD PLATE 0.76µm MIN THK. OVER
 NICKEL 1.27µm MIN THK.
 SOLDER TAILS - TIN PLATE 3.05µm MIN THK. OVER
 NICKEL 1.27µm MIN THK.

4. ITEMS PROVIDED TO THIS SPECIFICATION TO BE PERMANENTLY IDENTIFIED WITH PART NUMBER AND DATE CODE.

5. MAXIMUM BURR OF 0.013 ON CARD TAB AREA.

6. SET TRACE BACK FROM PC BOARD EDGE. NO SOLDERMASK ALLOWED BETWEEN PC BOARD EDGE AND TRACE.

7. CONNECTOR ACCEPTS 2.36±0.13 THICK PC BOARD.

8. KEEP OUT AREA FOR COMPONENTS ONLY.

9. FEATURE REQUIRED FOR USE WITH LATCH.

10. CAUTION:
 LATCHES ARE INTENDED FOR RETENTION OF PC BOARD TO CONNECTOR. DO NOT ATTEMPT TO FULLY EJECT PC BOARD FROM CONNECTOR WHILE DISENGAGING LATCHES, DAMAGE TO LATCHES AND OR CONNECTOR MAY OCCUR.

11. RECOMMENDED GOLD FINGER LENGTH FOR RELIABLE CONTACT.

12. FOR DESIGN OBJECTIVES SEE 108-2301.

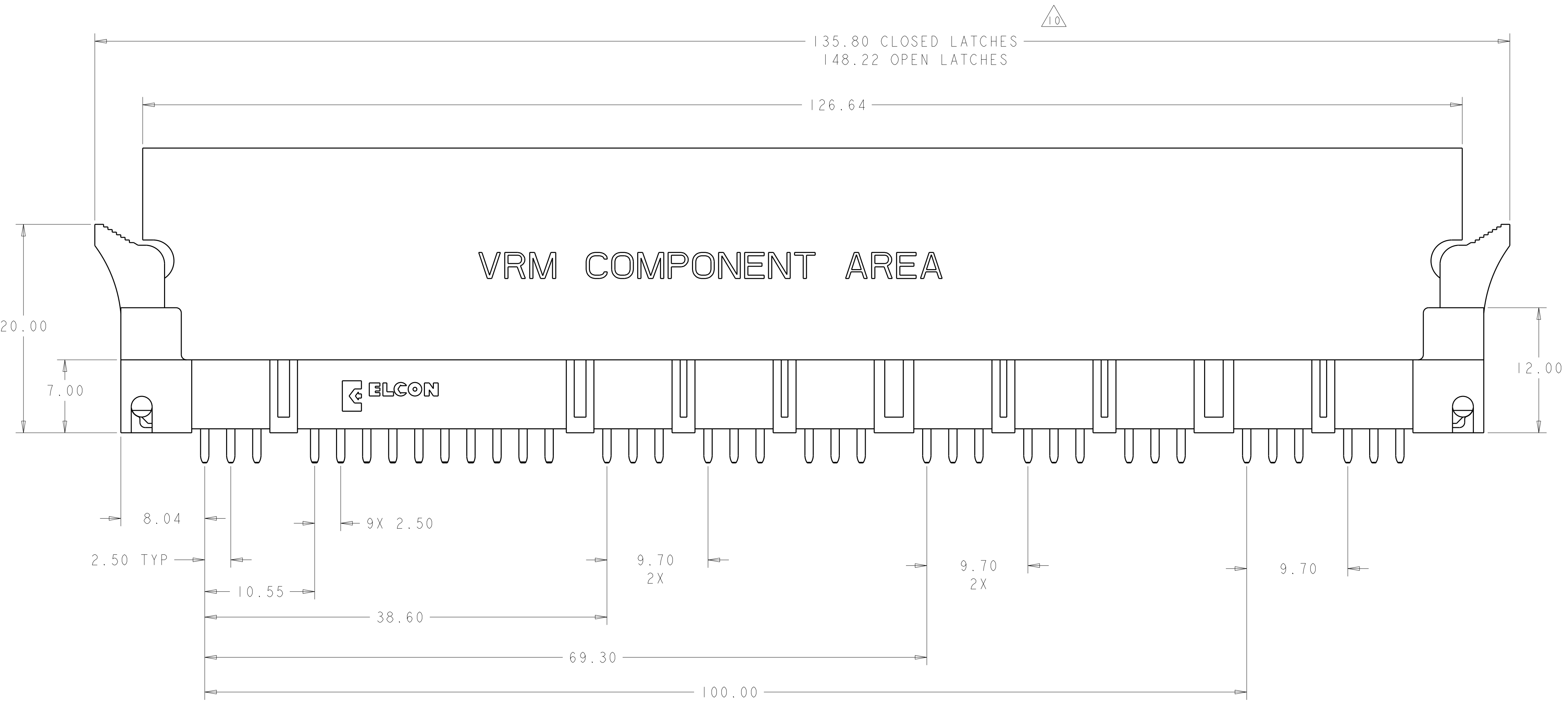
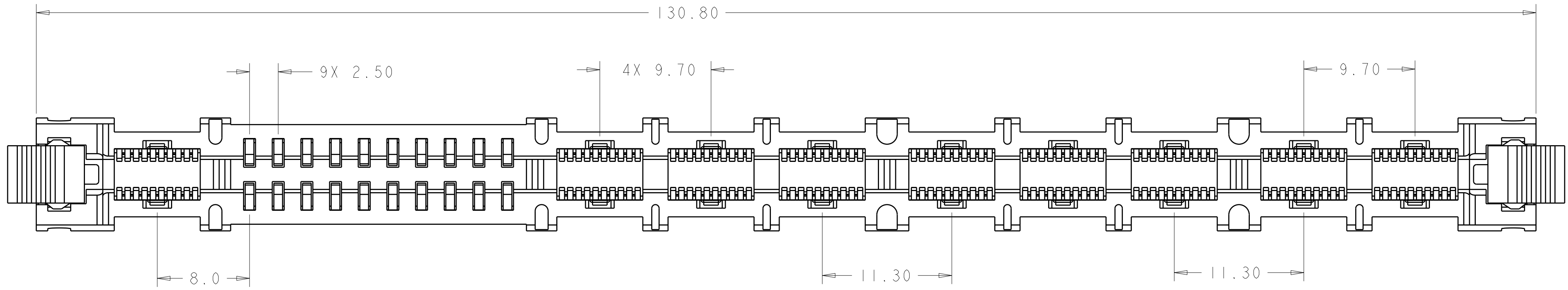
13. RECOMMENDED PRINTED CIRCUIT HOLE:
 FINISHED HOLE: $\varnothing 1.02 \pm 0.08$
 DRILLED HOLE: $\varnothing 1.15 \pm 0.013$
 COPPER PLATE: .025 MIN. (PER SURFACE)
 TIN PLATE: .008 MIN (PER SURFACE)

14. DATUMS AND BASIC DIMENSIONS ESTABLISHED BY CUSTOMER

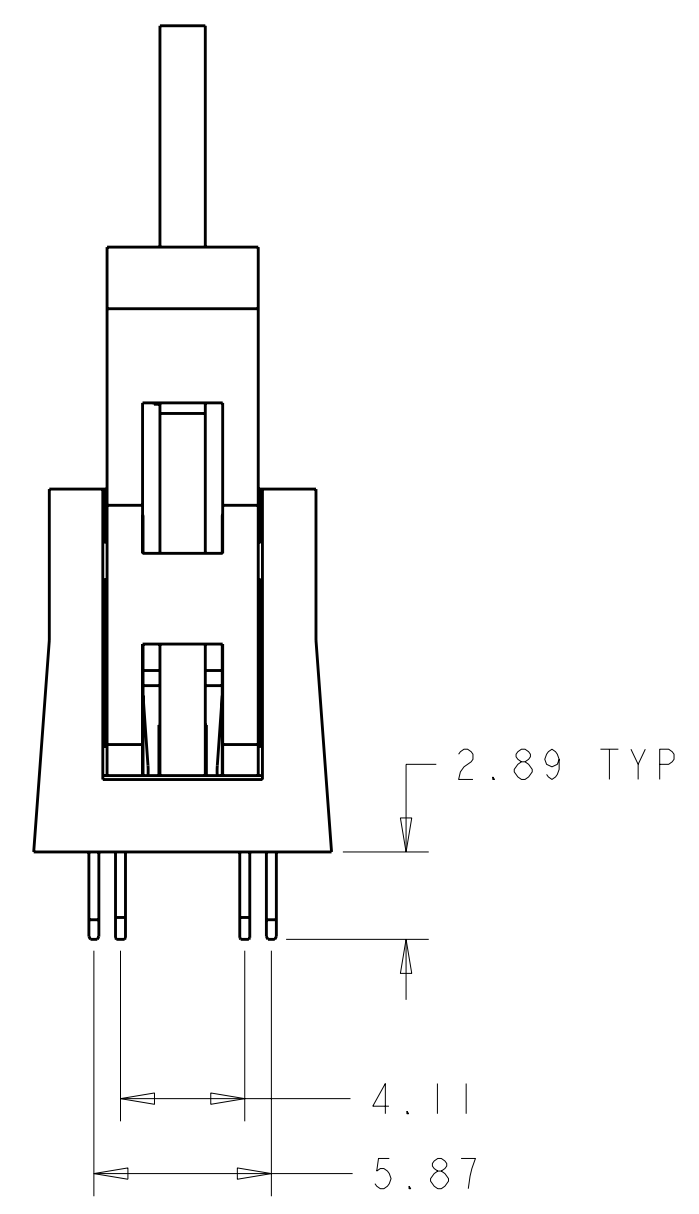
| | |
|-------------|-----------|
| AS SHOWN | 1651864-1 |
| DESCRIPTION | PART NO. |

| | | | |
|--|--|--|--|
| <small>THIS DRAWING IS UNPUBLISHED. RELEASED FOR PUBLICATION BY TYCO ELECTRONICS CORPORATION, ALL RIGHTS RESERVED.</small> | | DWN: R. GRZYBOWSKI 08JAN2009 CHK: P. DAMATO 08JAN2009 APVD: M. PERCHERIE 08JAN2009 | Tyco Electronics Harrisburg, PA 17105-3608 |
| DIMENSIONS: mm | TOLERANCES UNLESS OTHERWISE SPECIFIED: 9 PLC ±.5 1 PLC ±.5 2 PLC ±.25 3 PLC ±.5 4 PLC ±.5 ANGLES ±.5 FINISH | NAME: SOCKET CONNECTOR ASSEMBLY W/LATCHES MC-P9S10 PRODUCT SPEC APPLICATION SPEC | SIZE: A100779 CAGE CODE: C=1651864 DRAWING NO: 1651864-1 RESTRICTED TO: |
| MATERIAL: - | FINISH: - | WEIGHT: - | CUSTOMER DRAWING |
| SCALE: 4:1 | | SHEET 1 OF 4 REV: B1 | |

| LOC | DIST | REV | DATE | BY | APPD |
|-----|------|-----|------|----|------|
| GP | 00 | | | | |
| | | | | | |
| | | | | | |

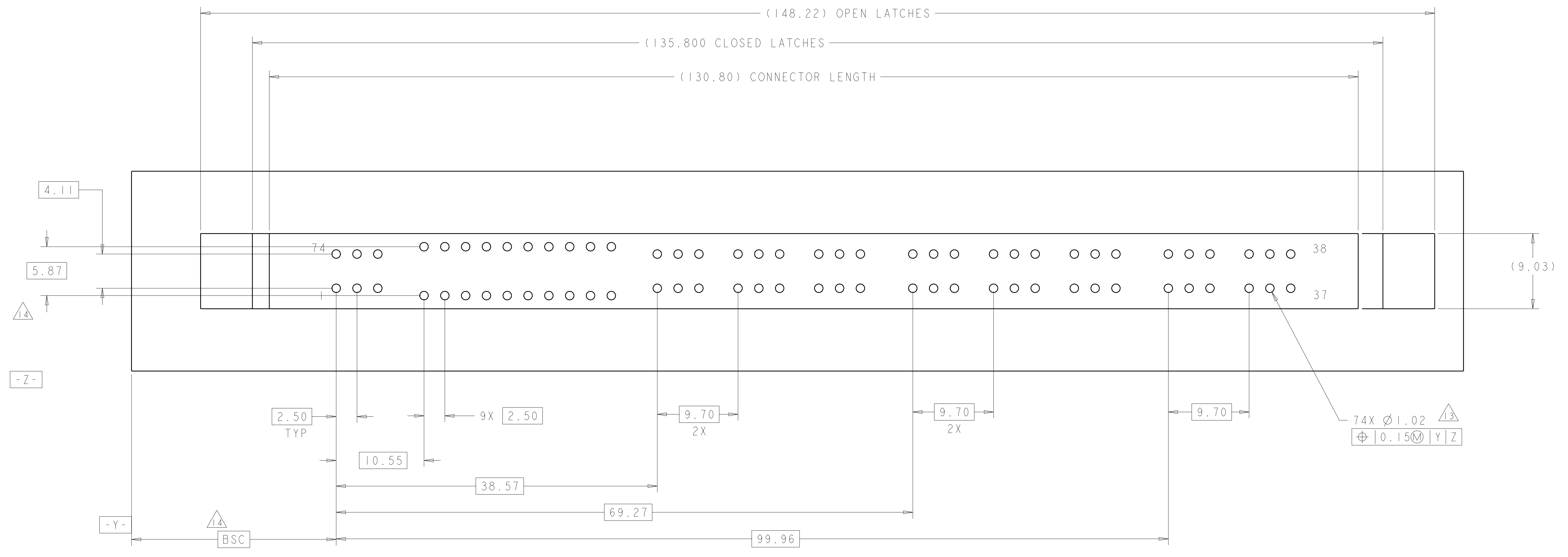


VRM COMPONENT AREA



| | | | |
|---|--|---|---|
| <small>THIS DRAWING IS UNPUBLISHED. RELEASED FOR PUBLICATION 20 © COPYRIGHT 20 BY TYCO ELECTRONICS CORPORATION, ALL RIGHTS RESERVED.</small> | | DWN: R. GRZYBOWSKI 08JAN2009 CHK: P. DAMATO 08JAN2009 APVD: M. PERCHERIE 08JAN2009 | Tyco Electronics Harrisburg, PA 17105-3608 |
| DIMENSIONS: mm | TOLERANCES UNLESS OTHERWISE SPECIFIED: 0 PLC ±.5 1 PLC ±.5 2 PLC ±.25 3 PLC ±.5 4 PLC ±.5 ANGLES ±.5 FINISH | NAME: SOCKET CONNECTOR ASSEMBLY W/LATCHES MC-P9S10 PRODUCT SPEC: APPLICATION SPEC: WEIGHT: CUSTOMER DRAWING | SIZE: A100779 CAGE CODE: C=1651864 SCALE: 4:1 SHEET: 2 OF 4 REV: B1 |

| LOC | DIST | REVISIONS | | | |
|-----|------|-------------|------|-----|------|
| REV | DATE | DESCRIPTION | DATE | DWN | APVD |
| GP | 00 | SEE SHEET 1 | - | - | - |
| | | | | | |
| | | | | | |



RECOMMENDED P.C. BOARD GUIDELINE
 AS VIEWED FROM THE CONNECTOR SIDE

| | | | |
|--|---|---|---|
| <small>THIS DRAWING IS UNPUBLISHED. RELEASED FOR PUBLICATION BY TYCO ELECTRONICS CORPORATION. ALL RIGHTS RESERVED.</small> | | DWN: R. GRZYBOWSKI 08JAN2009 CHK: P. DAMATO 08JAN2009 APVD: M. PERCHERIE 08JAN2009 | Tyco Electronics Harrisburg, PA 17105-3608 |
| DIMENSIONS: mm | TOLERANCES UNLESS OTHERWISE SPECIFIED: 9 PLG ±.5 1 PLG ±.5 2 PLG ±.25 3 PLG ±.25 4 PLG ±.5 ANGLES ±.5 FINISH - | NAME: SOCKET CONNECTOR ASSEMBLY W/LATCHES MC-P9S10 PRODUCT SPEC: APPLICATION SPEC: WEIGHT: CUSTOMER DRAWING | SIZE: A 00779 C=1651864 SCALE: 4:1 SHEET: 4 OF 4 REV: B1 |