

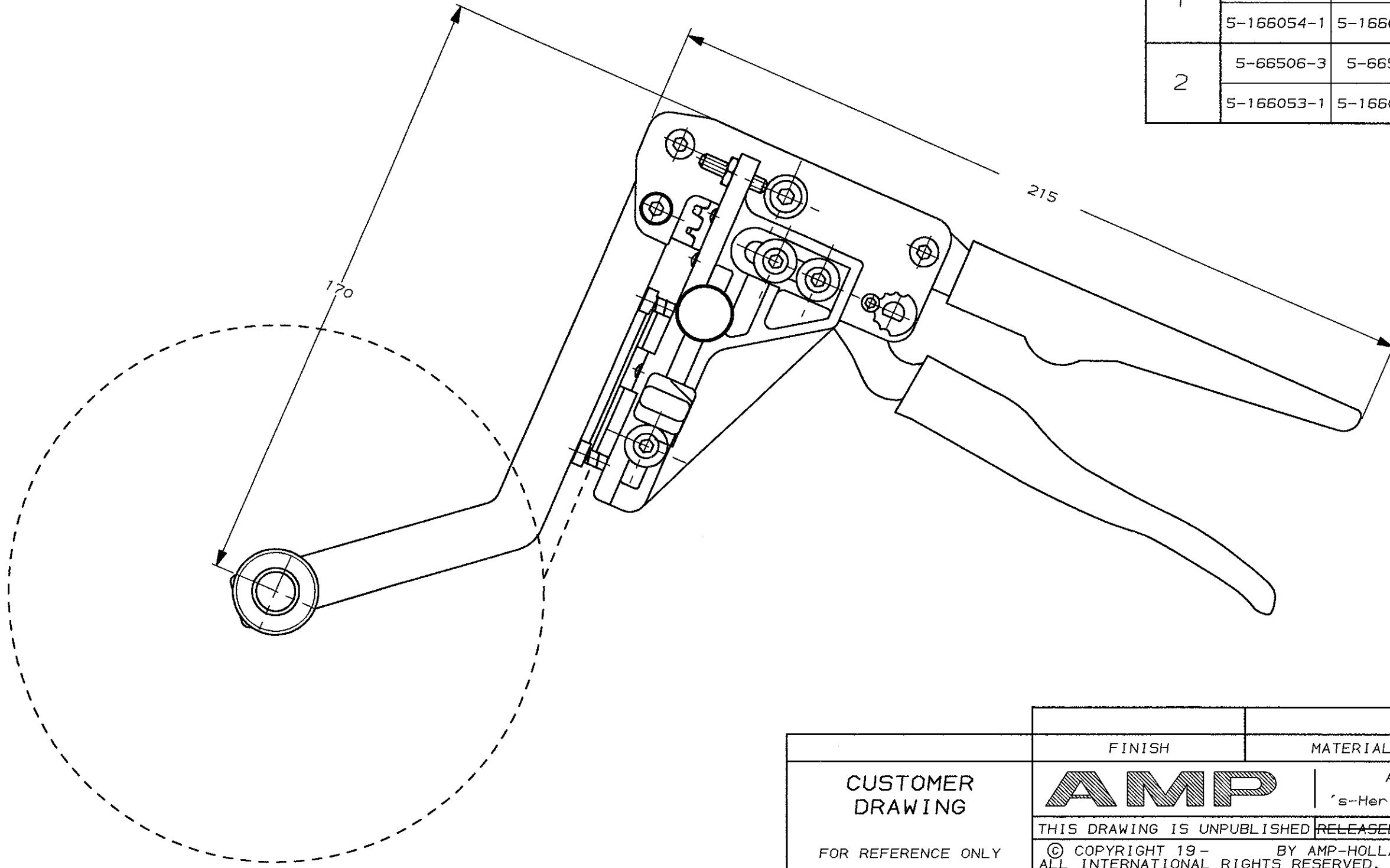
DO NOT SCALE  
DIMENSIONS IN mm


METRIC

THIRD ANGLE  
PROJECTION



CRIMP NEST	REEL PN		WIRE SIZE	
	PIN	SOCKET	mm <sup>2</sup>	AWG
1	5-66507-3	5-66505-3	0,08-0,22	28-24
	5-166054-1	5-166052-1		
2	5-66506-3	5-66504-3	0,20-0,56	24-20
	5-166053-1	5-166051-1		



<p><b>CUSTOMER DRAWING</b></p> <p>FOR REFERENCE ONLY WILL NOT BE UPDATED</p>	FINISH	MATERIAL	169424-1		PARTNUMBER
			AMP-HOLLAND B.V. 's-Hertogenbosch, The Netherlands.		
	THIS DRAWING IS UNPUBLISHED RELEASED FOR PUBLICATION				
	© COPYRIGHT 19- BY AMP-HOLLAND B.V. ALL INTERNATIONAL RIGHTS RESERVED. AMP PRODUCTS MAY BE COVERED BY U.S. AND FOREIGN PATENTS AND/OR PATENTS PENDING.				
DR. P. BEIJNON	DATE 10-3-89	WIRE RANGE -	NAME REELFED TOOL		REV. DATE D M Y
CHK. R. VOS	DATE -	INSUL. RANGE -	FOR HD 20 CONT.		10 3 89
APP. L. V. SOEST	DATE -	SIZE A3	SHEET OF 1	DWG. No. 169424	REV. LTR. 0

8 | 7 | 6 | 5 | 4 | 3 | 2 | 1