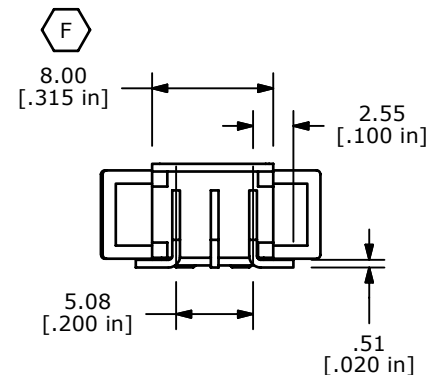
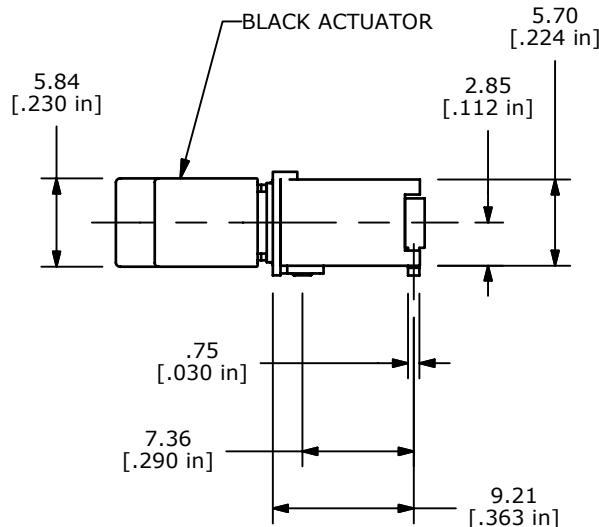
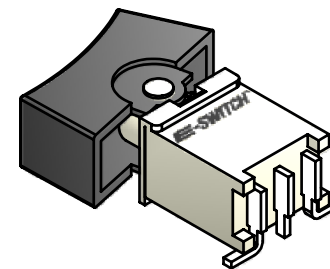
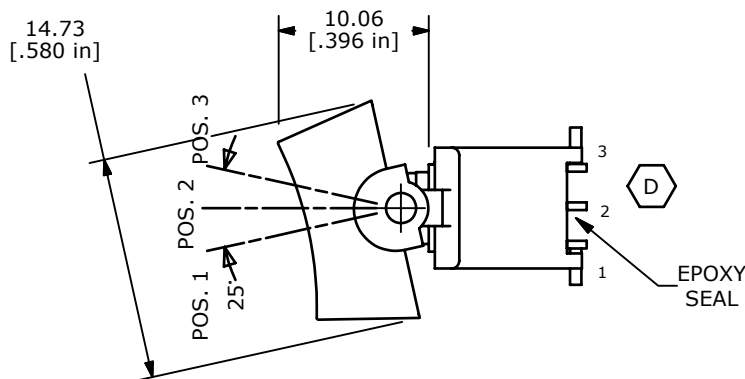
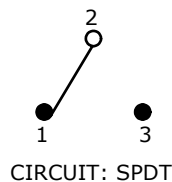


RECOMMENDED P.C.B. LAYOUT

| SWITCH FUNCTION |        |        |
|-----------------|--------|--------|
| POS. 1          | POS. 2 | POS. 3 |
|                 |        |        |
| (ON)            | OFF    | (ON)   |
| 2-3             | OPEN   | 2-1    |

(ON)=MOMENTARY



NOTES:

1. ALL DIMENSIONS IN MM[INCH].
2. GENERAL TOLERANCE: X.X=± 0.4  
X.XX=± 0.25
3. TERM. NOS. FOR REFERENCE ONLY.
4. ELECTRICAL LIFE: 50,000 MAKE-AND-BREAK CYCLES AT FULL LOAD.
- ▲ 5. CONTACT MATERIAL: SILVER
6. CONTACT RATING: 1 AMP @250 VAC  
3 AMPS @120 VAC OR 28 VDC
7. CONTACT RESISTANCE: 20MILLI-OHMS MAX. INITIAL @2-4 VDC
8. OPERATING TEMPERATURE:-30°C TO 85°C.
- ▲ 9. TERMINALS TO BE COPLANAR TO WITHIN 0.1[.004]
10. ▲ DENOTES CRITICAL PARAMETER
11. 2002/95/EC (ROHS) COMPLIANT
- ▲ 12. PACKAGING: TAPE AND REEL, 450 PCS. PER REEL

|     |        |                                 |         |     |
|-----|--------|---------------------------------|---------|-----|
| F   | 18061  | CHANGED BODY WIDTH ( FROM 8.25) | 4/17/08 | BLR |
| E   | 16079  | ADD PACKAGING NOTE              | 6/2/06  | BLR |
| D   | 14777  | REVISE TERMINAL NUMBERS         | 3/18/05 | BLR |
| C   | 13748  | CHANGE ACTUATOR                 | 2/4/04  | BLR |
| REV | PCR NO | DESCRIPTION                     | DATE    | BY  |

THE INFORMATION CONTAINED IN THIS DOCUMENT IS PROPRIETARY TO E-SWITCH AND IS NOT TO BE COPIED OR TRANSFERRED



TITLE 400BWMSP4R2BLKSM6QE

|       |           |     |         |     |
|-------|-----------|-----|---------|-----|
| SCALE | DATE      | DR  | DWG     | REV |
| 2:1   | 4/17/2008 | BLR | T460003 | F   |