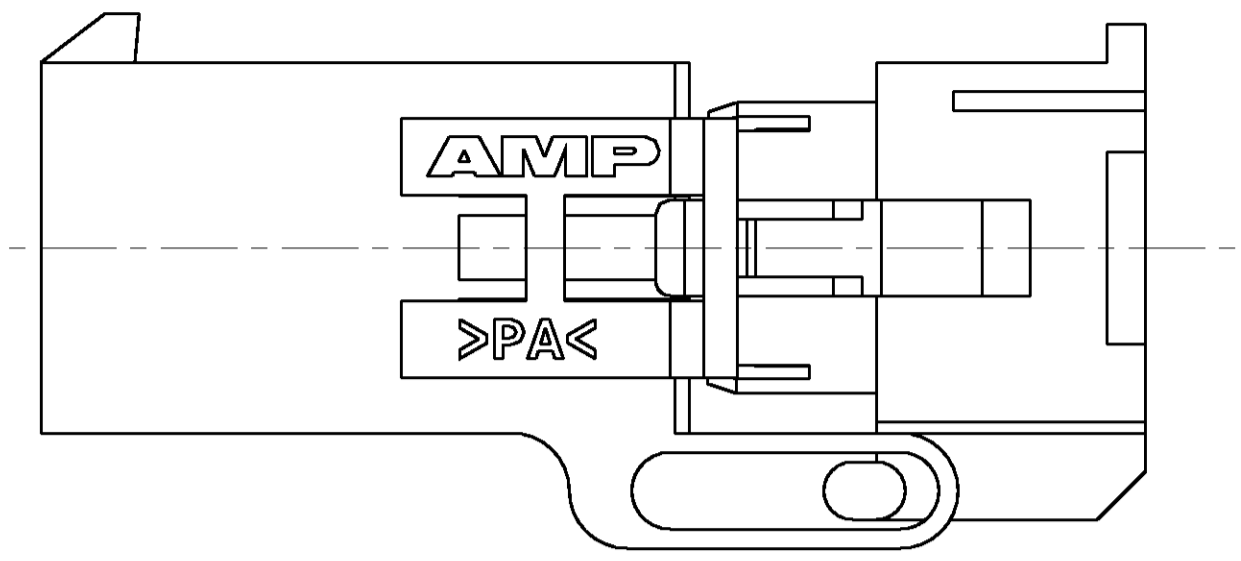
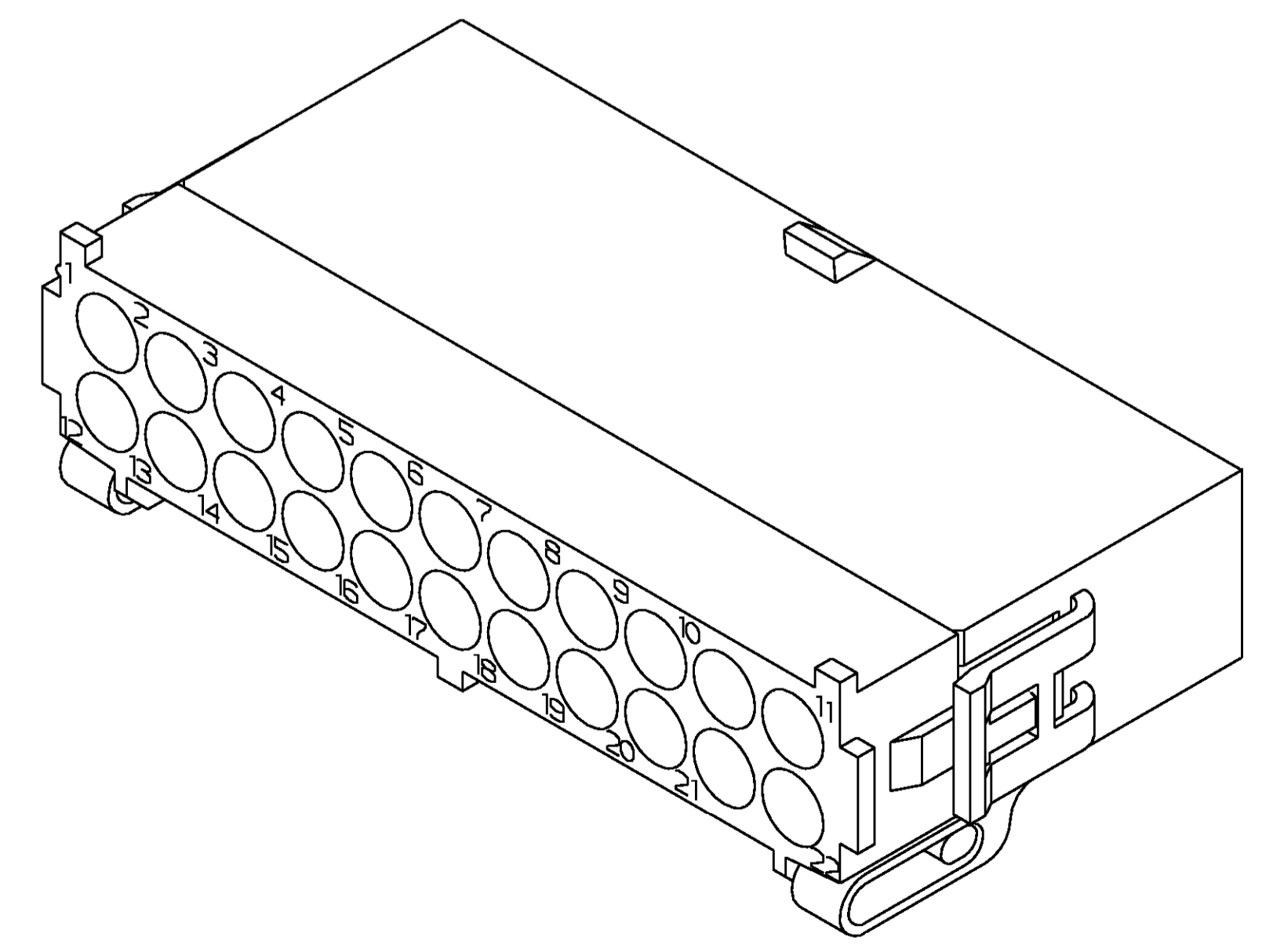
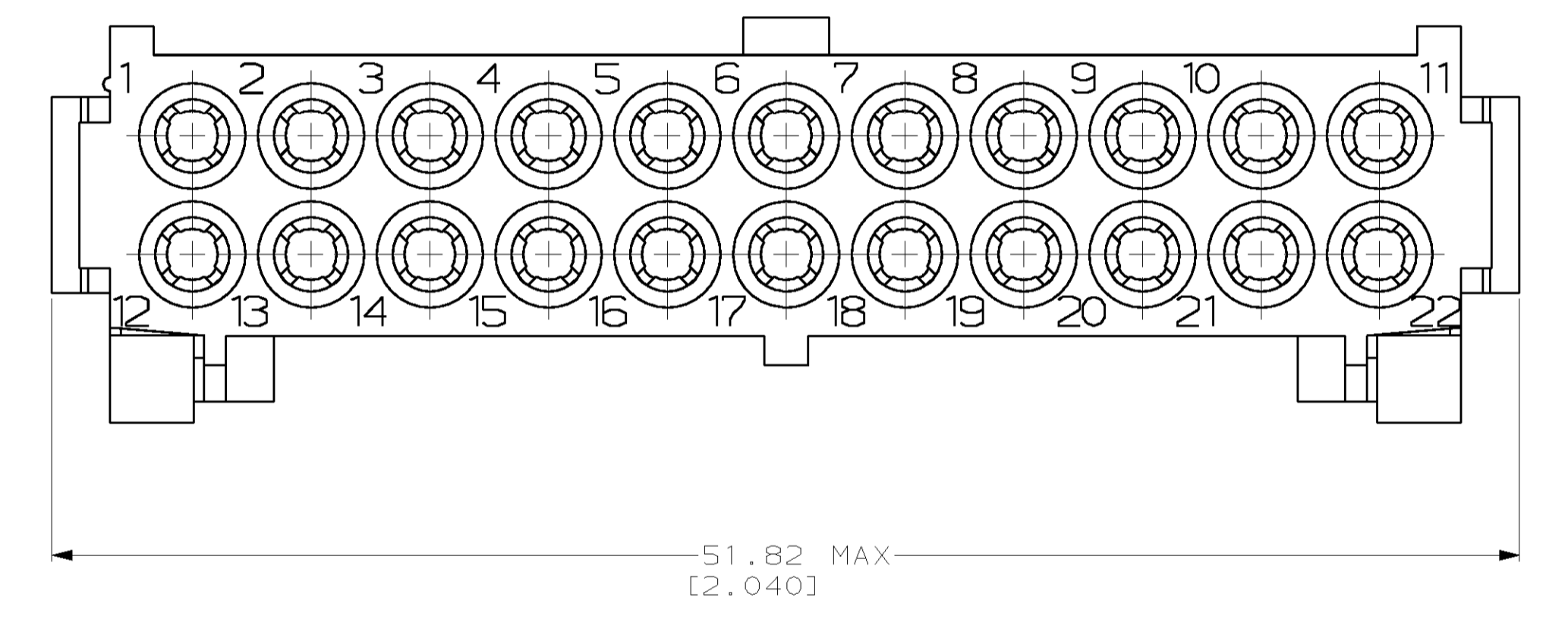
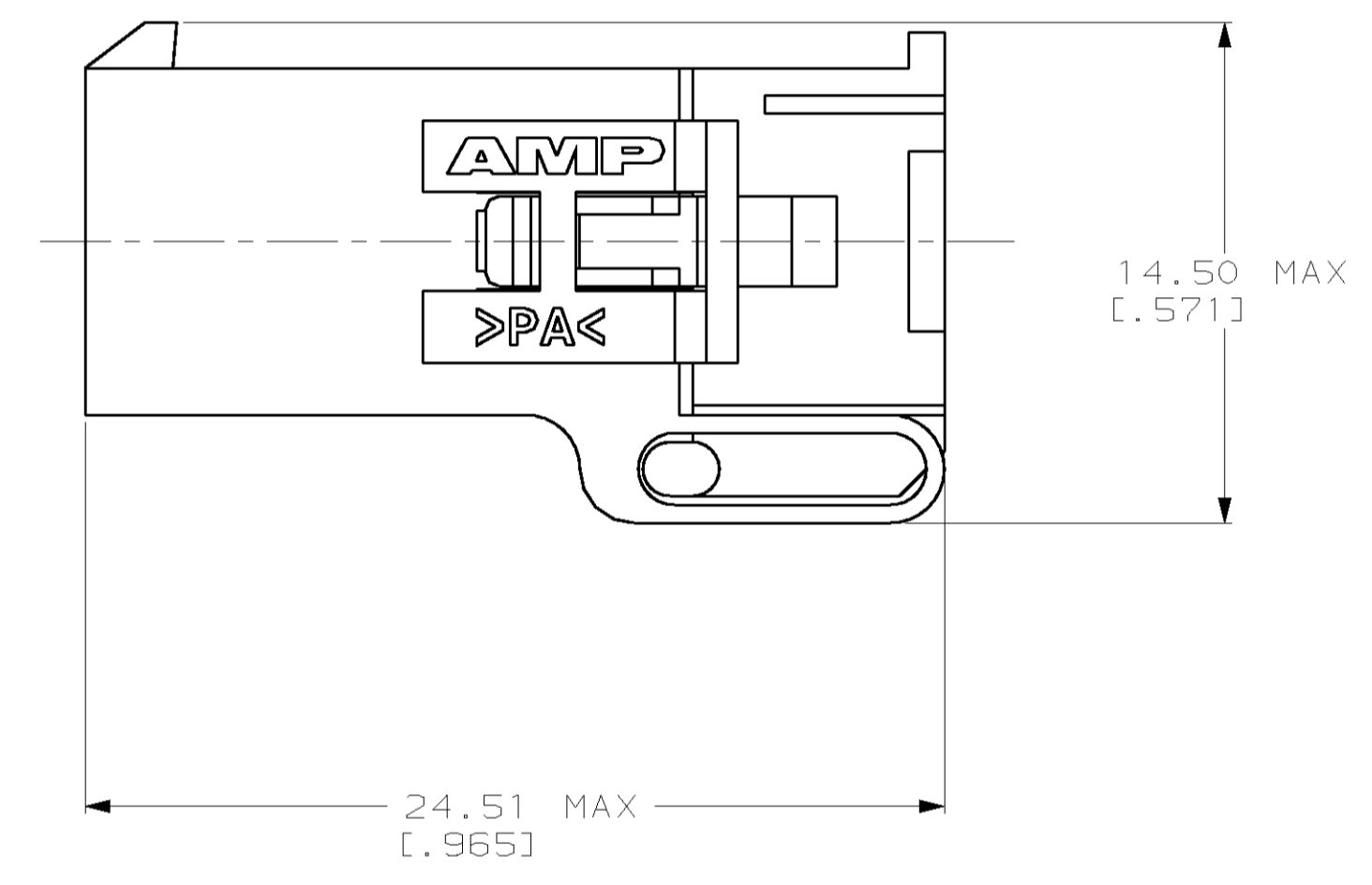
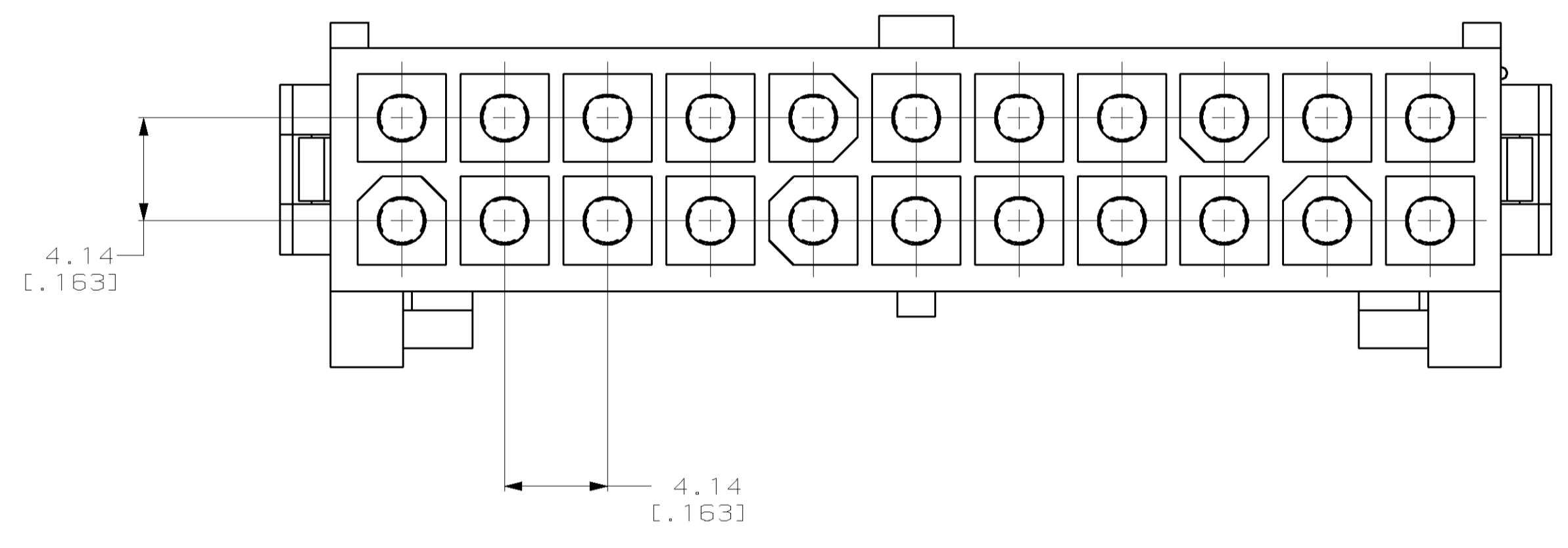


| LOC | | DIST | | REVISIONS | | | | | | |
|-----|-----|------|----|-----------|-----|------------|--------------|-----------|----|----|
| F | CHR | DATE | BY | APPROV | REV | PER | EC | | | |
| CM | 53 | | | | A | REV PER EC | 061B-0094-99 | 23-SEP-99 | KW | KC |



PRE-STAGED CONDITION

1. DIMENSIONS IN BRACKETS ARE IN INCHES.



3-DIMENSIONAL MODEL
NTS

794213-1
PART NUMBER



| | | | | |
|--|--------|---------------------|---|---|
| THIS DRAWING IS A CONTROLLED DOCUMENT. | | DWN K. WHITAKER | 5-20-97 | AMP Incorporated Harrisburg, PA 17105-3608 |
| DIMENSIONS: | | CHK R. SWING | 5-20-97 | |
| TOLERANCES UNLESS OTHERWISE SPECIFIED: | | APPROV S. ORSTAD | 5-20-97 | |
| 0 PLC ± 1 PLC ± 2 PLC ± 3 PLC ±0.13 (.005) 4 PLC ± ANGLES ± | | NAME | CAP, 22 CIRCUIT, MINI UNIVERSAL MATE-N-LOK™ 2 | |
| MATERIAL NYLON, UL 94V-0, NATURAL | FINISH | PRODUCT SPEC | APPLICATION SPEC | SIZE A1 |
| CUSTOMER DRAWING | | WEIGHT | SCALE | 5:1 |
| | | SHEET | 1 | OF |
| | | REV | 1 | A |