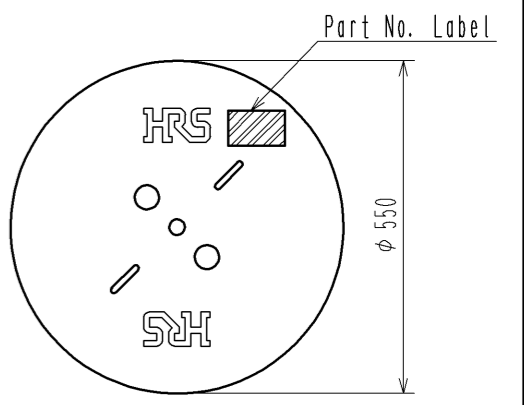


2 STYLE AND DIMENSION OF REEL



Detail of part No. Label

HRS		検査
品名コード	CL544-0509-3	Inspection
品名	DF62-EP30PCFA	
数量	15000	
仕様		
LOT No.		
継ぎ目		

- NOTE 1. 1RL:15000 CONTACTS.  
 2. STYLE OF REEL AND BOX ARE SHOWN IN FIGURE.  
 3. A MAXIMUM OF 5 REELS ARE PACKED UP IN ONE BOX.  
 4. PLEASE BE SURE TO CHECK THE FORM OF CRIMPING USING A CABLE. WHEN YOU ADJUST APPLICATOR.  
 5. TIN PLATING AREA.  
 6. GOLD PLATING AREA.  
 7. THE DIMENSIONS IN PARENTHESIS ARE FOR REFERENCE.

NO.	MATERIAL	FINISH . REMARKS	NO.	MATERIAL	FINISH . REMARKS		
			1	PHOSPHOR BRONZE	CONTACT AREA : GOLD PLATING 0.2 μm MIN CARRIER/BARREL AREA : TIN PLATING 1μm MIN OTHERS : NICKEL PLATING 0.5 μm MIN		
UNITS mm		SCALE 10 : 1	COUNT △	DESCRIPTION OF REVISIONS	DESIGNED	CHECKED	DATE
<b>HRS</b> HIROSE ELECTRIC CO., LTD.		APPROVED : KI. AKIYAMA	12.01.20	DRAWING NO.	EDC3-339879-00		
		CHECED : MN. KENJO	12.01.20	PART NO.	DF62-EP30PCFA		
		DESIGNED : TO. HORII	12.01.20	CODE NO.	CL544-0509-3-00		
		DRAWN : TO. HORII	12.01.20		△ 1/1		