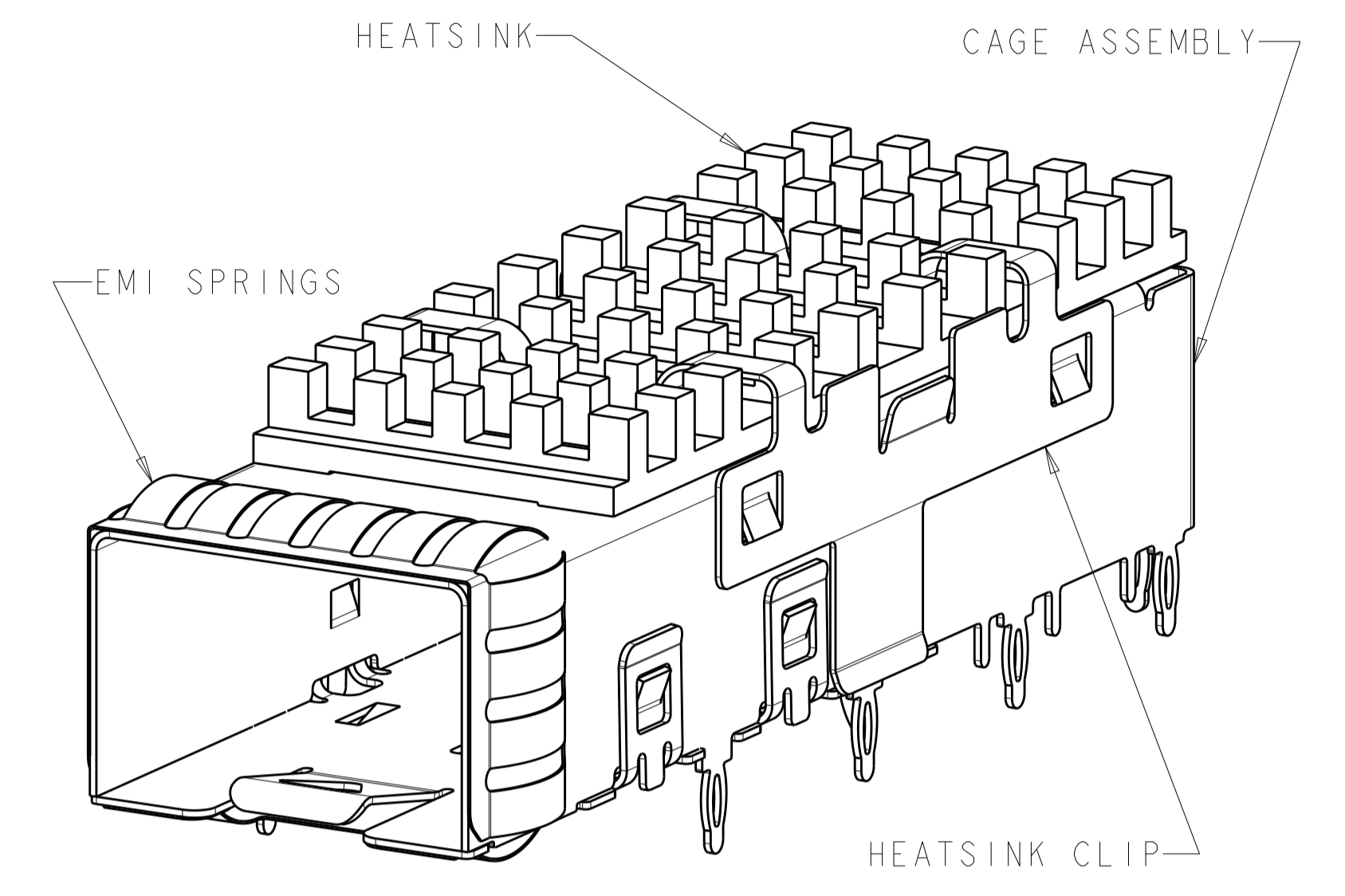
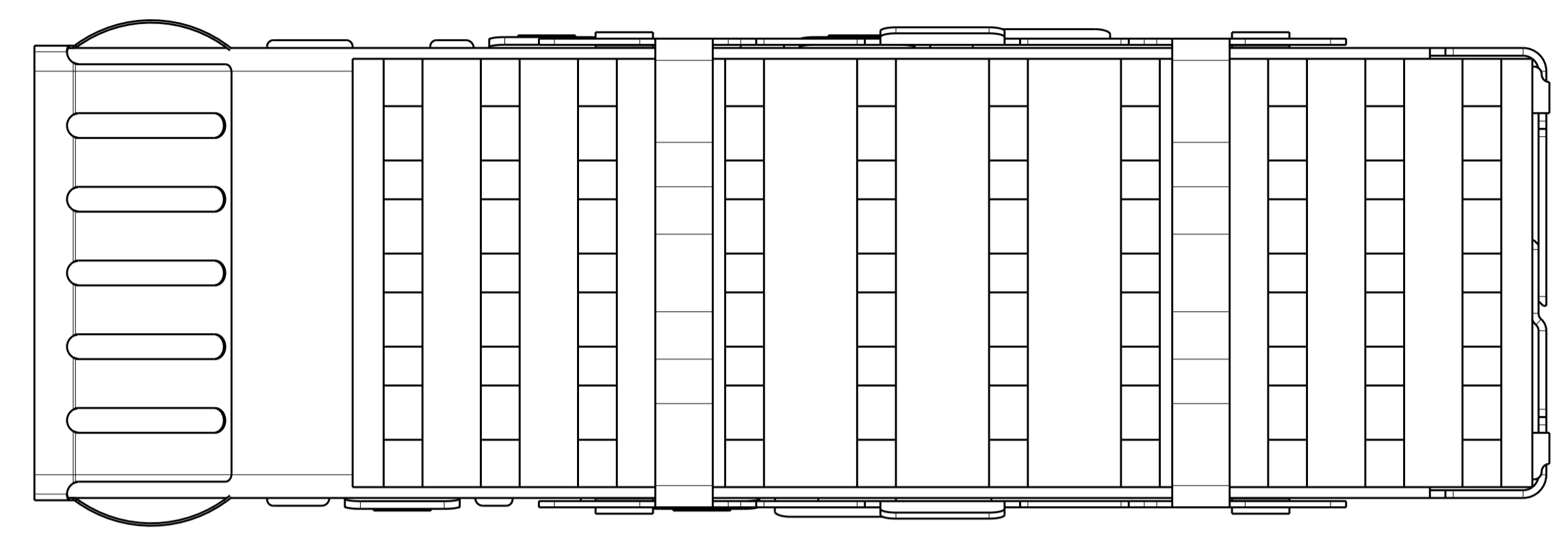
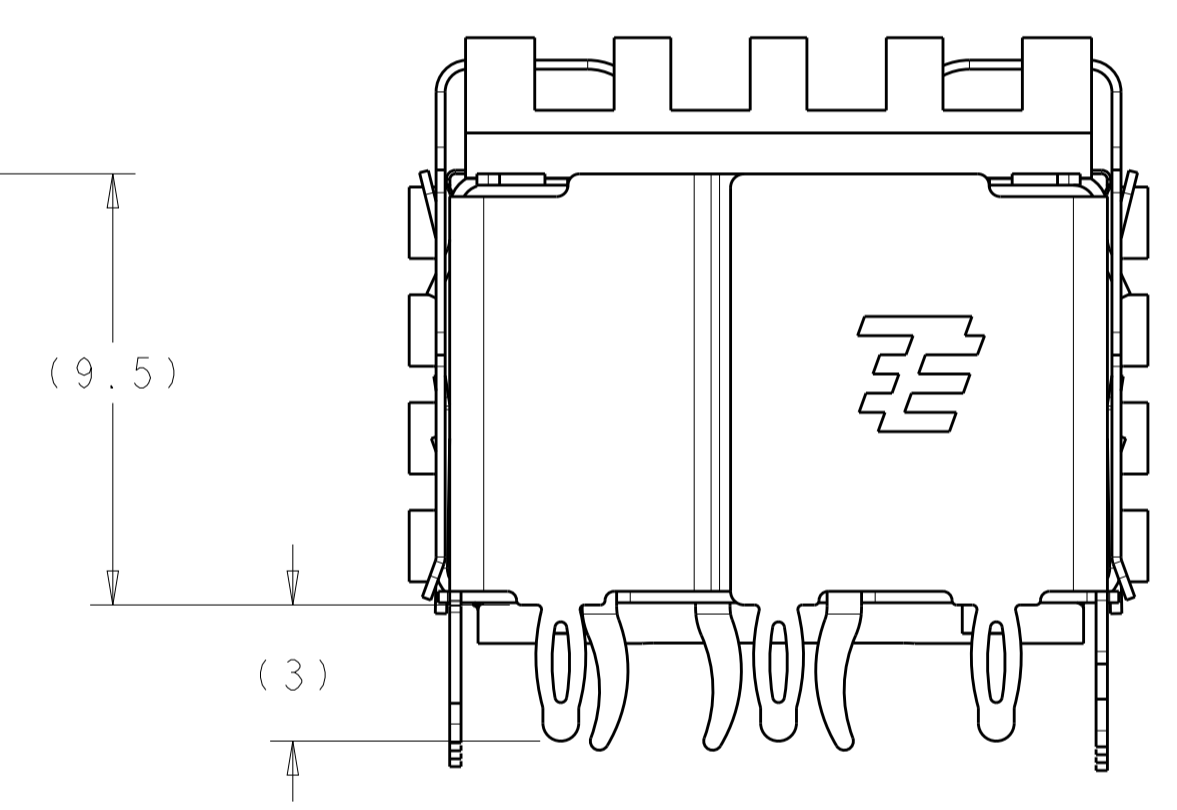
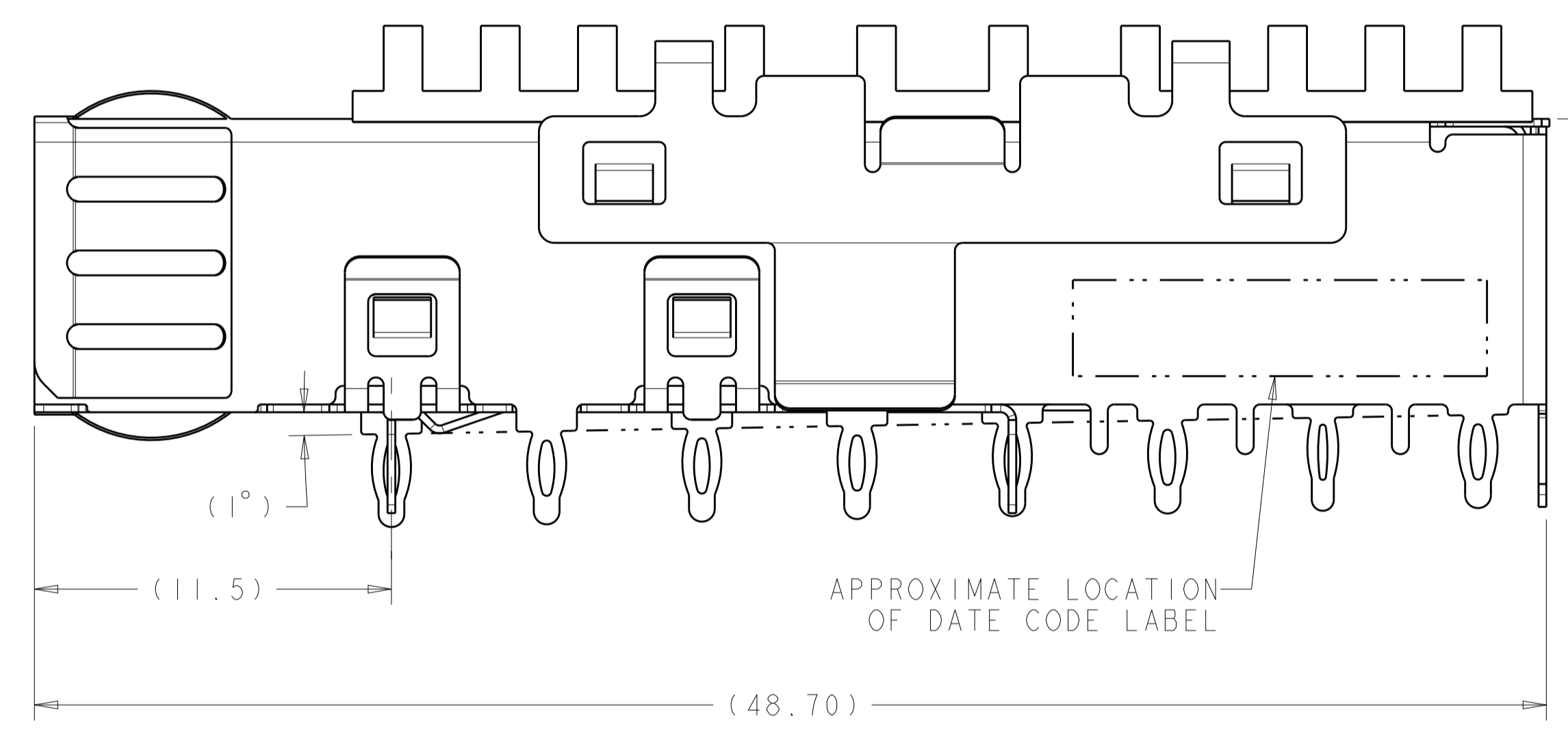
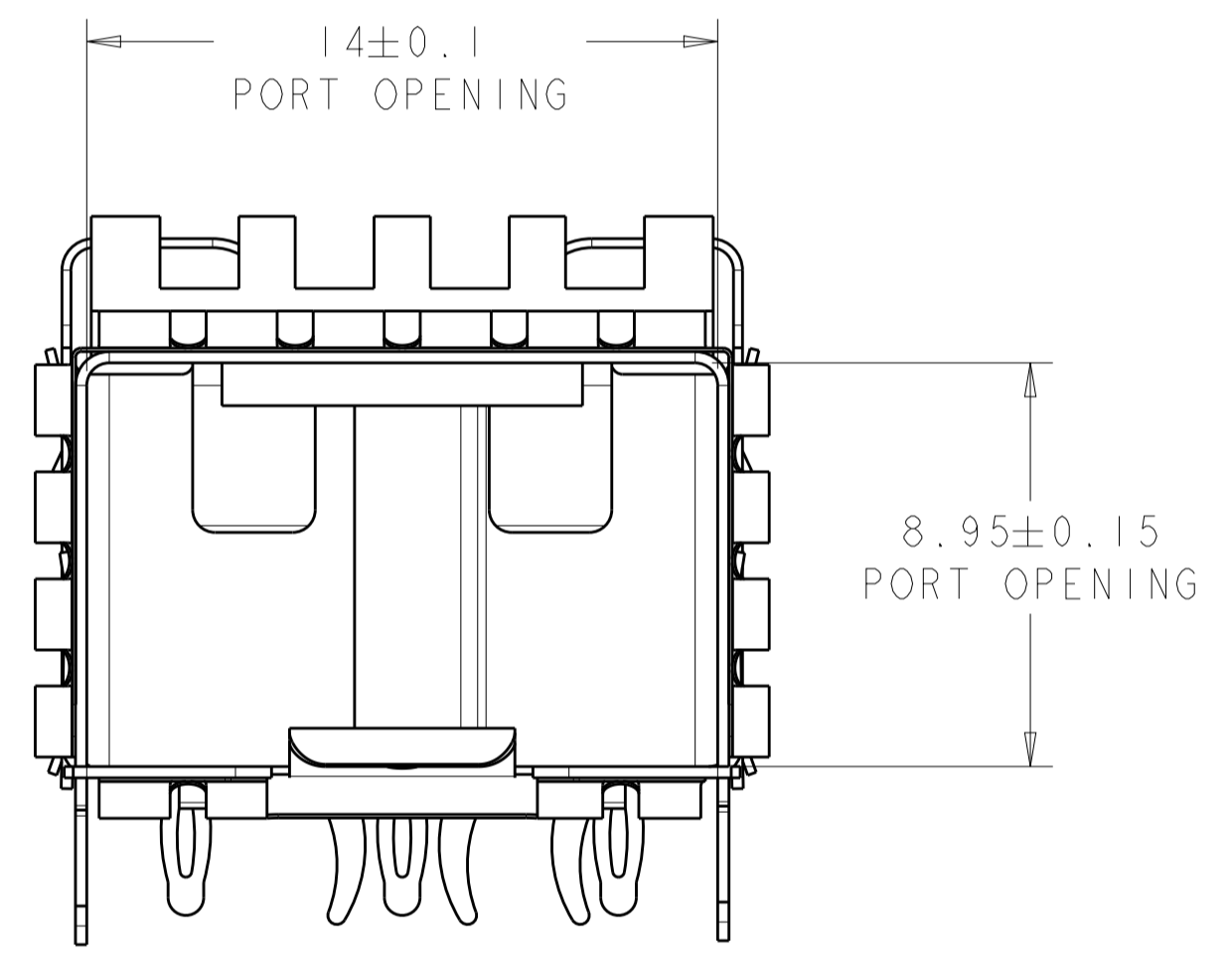


LOC	DIST	REVISIONS			
GP	00	REV	DATE	BY	CHK
		C	20OCT2009	CR	MS
		D	26FEB2010	CJV	MRS
		E	09JAN2012	TX	AC
		F	10DEC2012	TX	AC

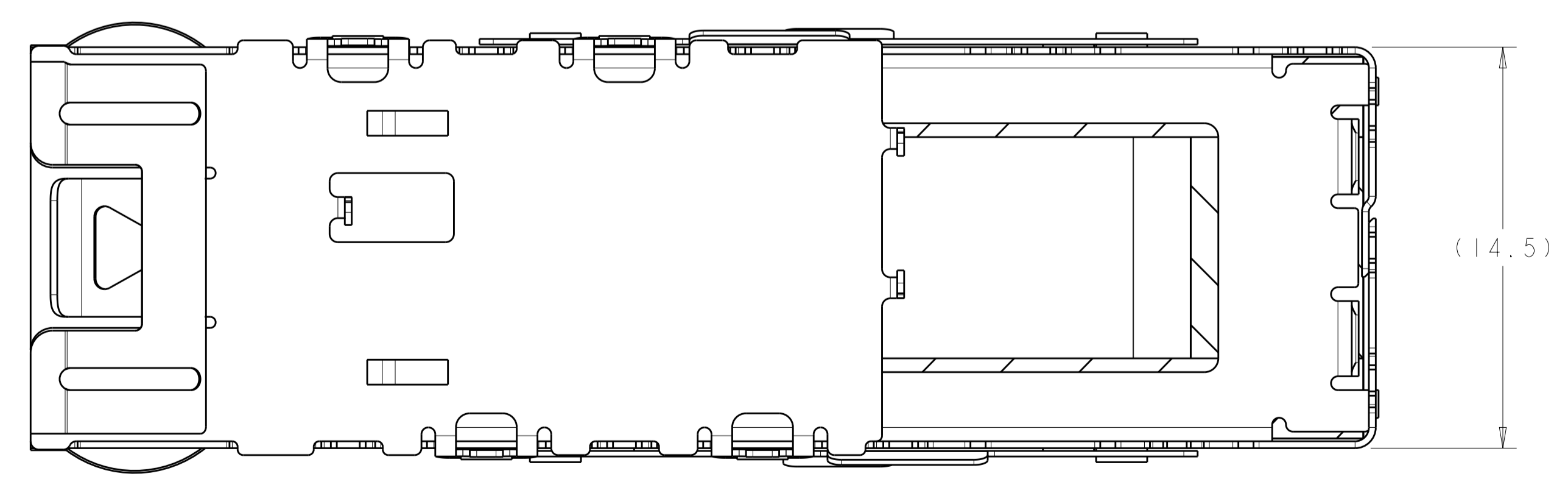
- 1 MATERIAL:  
 CAGE ASSEMBLY - NICKEL-SILVER ALLOY.  
 EMI SPRINGS - COPPER ALLOY.  
 HEATSINK - ALUMINUM.  
 HEATSINK CLIP - STAINLESS STEEL.
- 2 FINISH:  
 HEATSINK - ELECTROLESS NICKEL.  
 HEATSINK CLIP - PASSIVATE.  
 EMI SPRINGS - 0.8um MIN TIN OVER 0.8um MIN NICKEL  
 NON PLATED EDGES PERMISSIBLE.
- 3. MATES WITH SFP MSA COMPLIANT TRANSCEIVERS.
- 4 PADS AND VIAS CHASSIS GROUND.
- 5 DATUMS AND BASIC DIMENSIONS ESTABLISHED BY CUSTOMER.
- 6. MINIMUM PC BOARD THICKNESS:  
 SINGLE SIDED = 1.50mm
- 7 REFERENCE APPLICATION SPEC. 114-13120, HOLE A, FOR  
 RECOMMENDED DRILL HOLE DIAMETER AND PLATING  
 THICKNESS.



2007277-1  
 SCALE 5:1



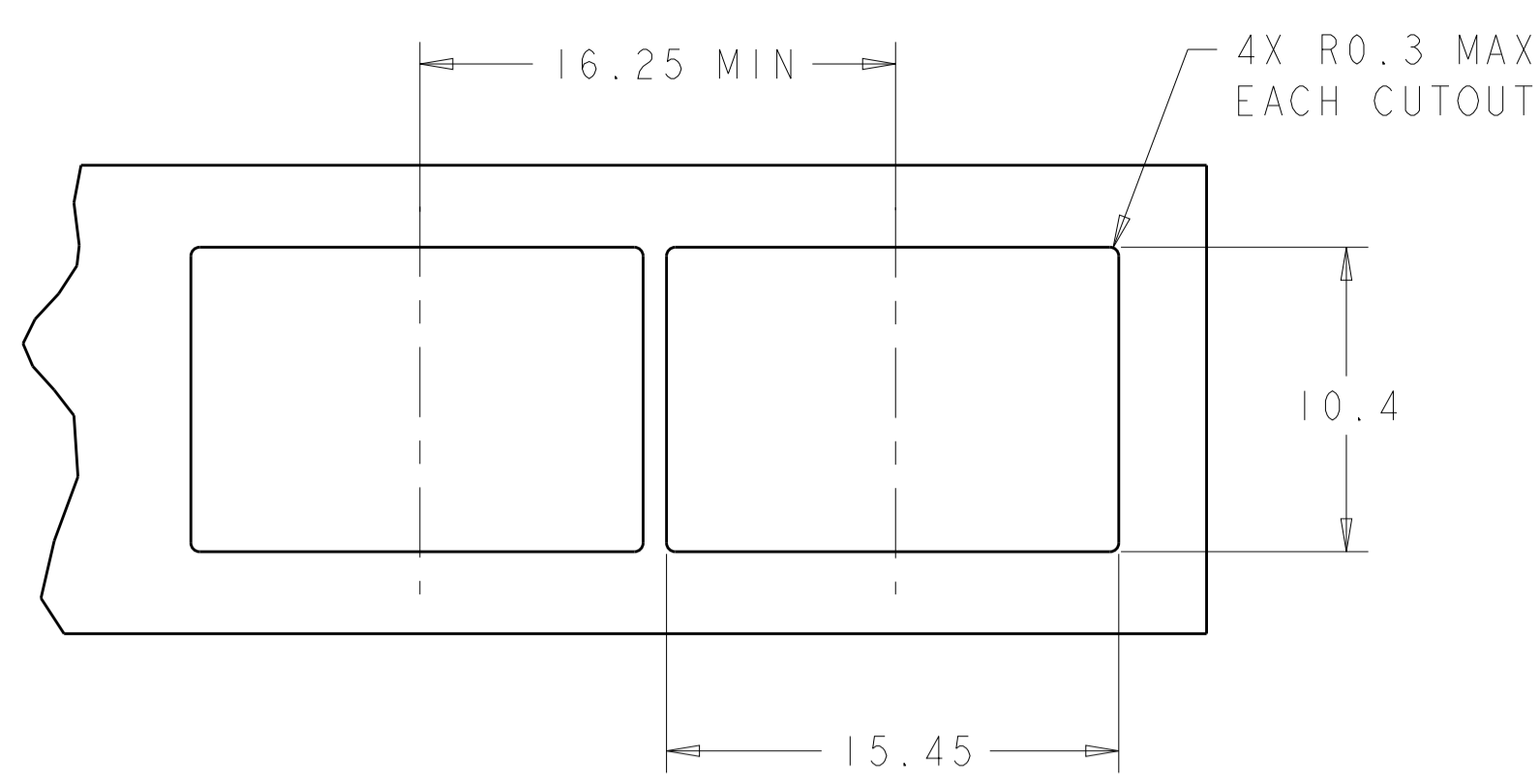
- 8 REFERENCE APPLICATION SPEC. 114-13120, HOLE C, FOR  
 RECOMMENDED DRILL HOLE DIAMETER AND PLATING  
 THICKNESS.
- 9 DIMENSIONS APPLIES PRIOR TO INSERTION OF SFP MODULE.
- 10. CAGE ASSEMBLY, HEATSINK CLIP AND HEATSINK SHIPPED  
 ASSEMBLED.
- 11. NOTE DELETED
- 12 REFERENCE APPLICATION SPEC. 114-13120, HOLE B, FOR  
 RECOMMENDED DRILL HOLE DIAMETER AND PLATING  
 THICKNESS.



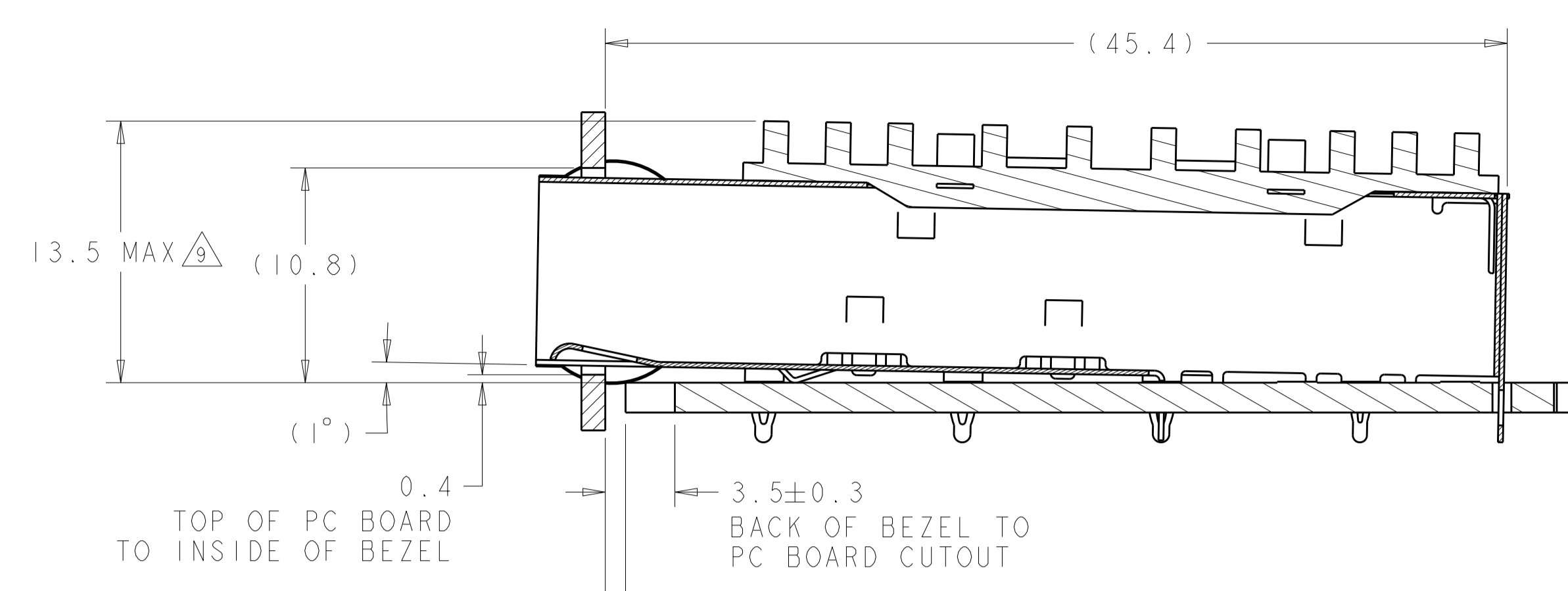
2007277-1  
 PART  
 NUMBER

THIS DRAWING IS A CONTROLLED DOCUMENT.		OWN M. SCHMITT 6AUG2007	TE Connectivity SFP+ 1X1 CAGE ASSEMBLY W/ HEATSINK, PCI, PRESS-FIT EXTERNAL EMI SPRING	
DIMENSIONS:		CHK M. SCHMITT 6AUG2007		
mm	0 PLC ±0.1 1 PLC ±0.1 2 PLC ±0.1 3 PLC ±0.05 4 PLC ±0.05	APVD B. WERTZ 6AUG2007	NAME	
TOLERANCES UNLESS OTHERWISE SPECIFIED:		PRODUCT SPEC	SIZE	
MATERIAL		108-2364	CAGE CODE	
FINISH		APPLICATION SPEC	DRAWING NO	
ANGLES		114-13120	RESTRICTED TO	
WEIGHT		Customer Drawing	A100779C=2007277	
SCALE		6:1	SHEET 1 OF 2 REV F	

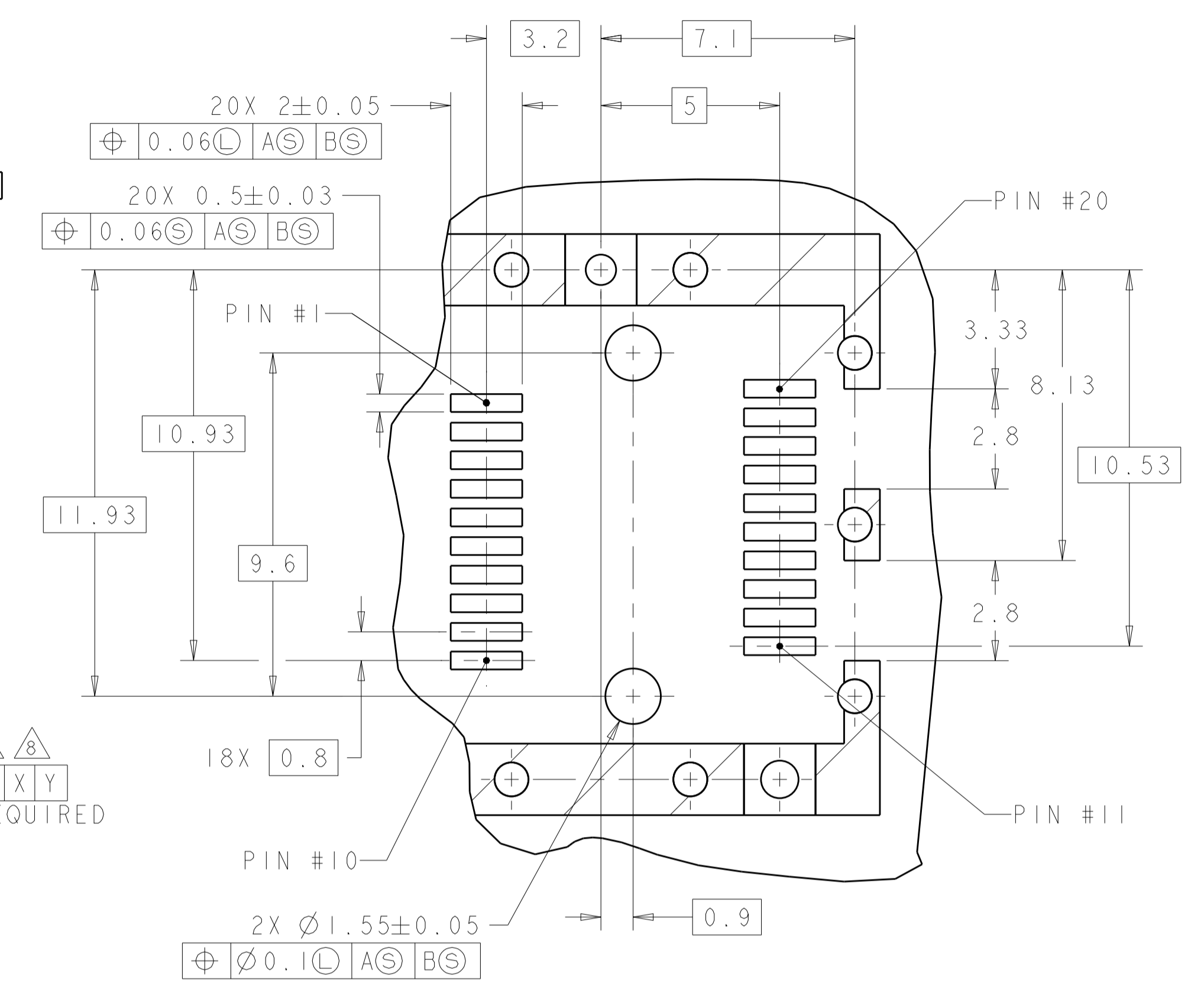
LOC	DIST	REV	DATE	BY	APPV
GP	00				



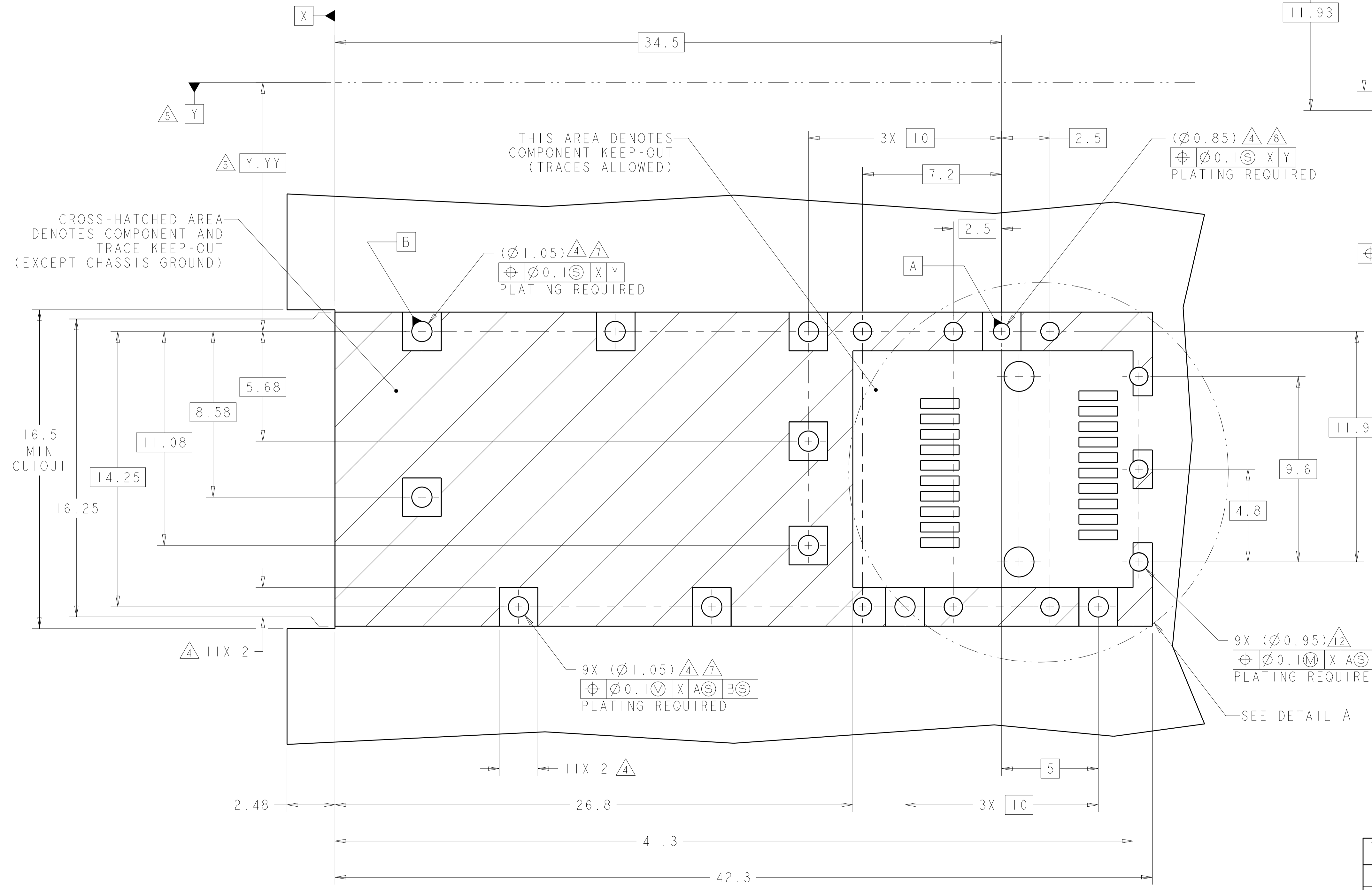
RECOMMENDED BEZEL CUTOUT  
SCALE 4:1



CAGE ASSEMBLY MOUNTED ON RECOMMENDED PC BOARD SHOWN THRU RECOMMENDED BEZEL  
SCALE 4:1



DETAIL A  
SCALE 8:1



RECOMMENDED PCB LAYOUT  
SCALE 8:1

THIS DRAWING IS A CONTROLLED DOCUMENT.		OWN: M. SCHMITT 6AUG2007	TE Connectivity
DIMENSIONS: mm		CHK: M. SCHMITT 6AUG2007	
TOLERANCES UNLESS OTHERWISE SPECIFIED:		APPV: B. WERTZ 6AUG2007	NAME: SFP+ 1XI CAGE ASSEMBLY W/ HEATSINK, PCI, PRESS-FIT EXTERNAL EMI SPRING
0 PLC	±0.1	PRODUCT SPEC	108-2364
1 PLC	±0.1	APPLICATION SPEC	114-13120
2 PLC	±0.1	WEIGHT	A100779C=2007277
3 PLC	±0.05	Customer Drawing	SCALE 6:1 SHEET 2 OF 2 REV F
4 PLC	±0.05		
ANGLES	±0.05		
MATERIAL	FINISH		