


SK 20-D

Order No.: 3026887

<http://eshop.phoenixcontact.de/phoenix/treeViewClick.do?UID=3026887>

Shield connection terminal block, for applying the shield directly to the
conductive mounting plates

Commercial data

GTIN (EAN)	 4 017918 820275
sales group	A502
Pack	10 pcs.
Customs tariff	85369010
Catalog page information	Page 678 (CL-2009)

Product notes

WEEE/RoHS-compliant since:
02/15/2005



[http://
www.download.phoenixcontact.com](http://www.download.phoenixcontact.com)
Please note that the data given
here has been taken from the
online catalog. For comprehensive
information and data, please refer
to the user documentation. The
General Terms and Conditions of
Use apply to Internet downloads.

Technical data

General

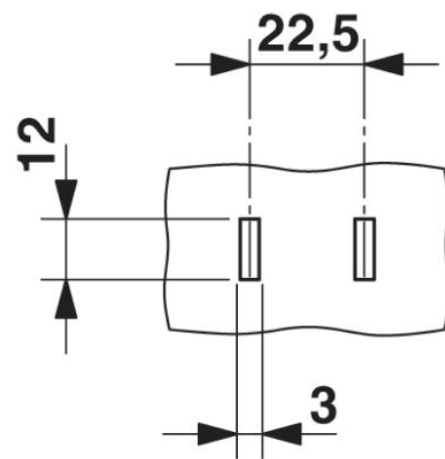
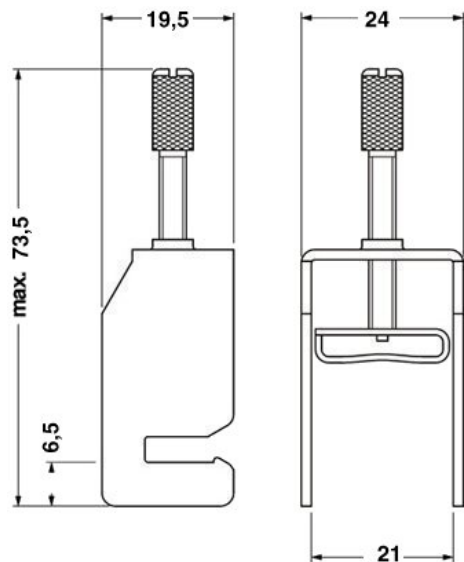
Color	silver
-------	--------

Connection data

Tightening torque max	0.8 Nm
-----------------------	--------

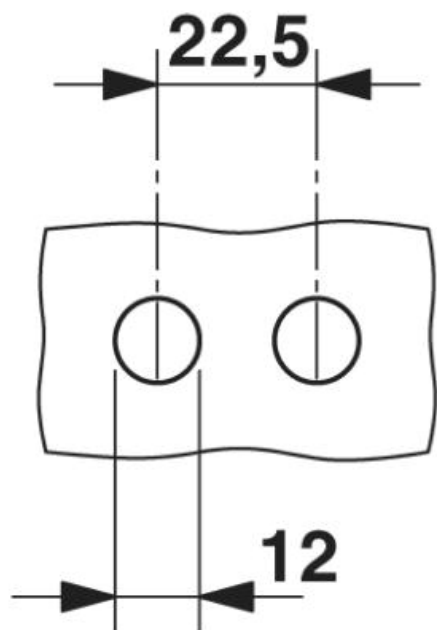
Diagrams/Drawings

Dimensioned drawing



Punching template

Drilling diagram



SK 20-D Order No.: 3026887

<http://eshop.phoenixcontact.de/phoenix/treeViewClick.do?UID=3026887>

Address

PHOENIX CONTACT Deutschland GmbH
Flachmarktstr. 8
32825 Blomberg, Germany
Phone +49 5235 3 12000
Fax +49 5235 3 41200
<http://www.phoenixcontact.de>



© 2011 Phoenix Contact
Technical modifications reserved;