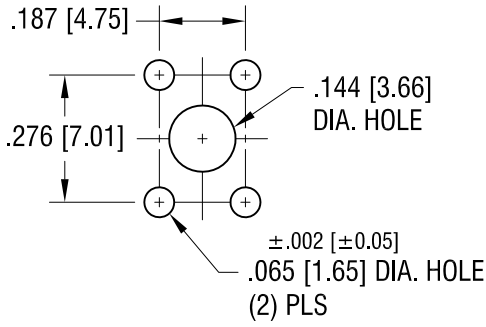
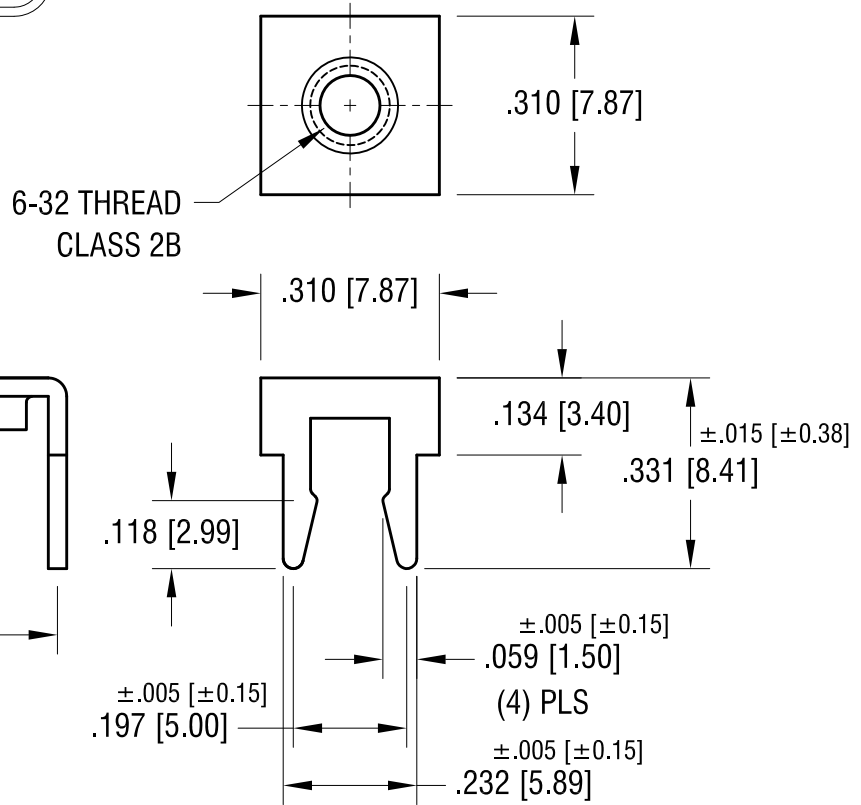
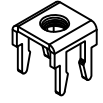


THIS DOCUMENT IS THE PROPERTY OF KEYSTONE ELECTRONICS CORP. AND SHALL NOT BE REPRODUCED, DISTRIBUTED OR USED AS A BASIS FOR MANUFACTURE WITHOUT PRIOR WRITTEN PERMISSION FROM KEYSTONE ELECTRONICS CORP.

**MOUNTING DETAIL**



**ACTUAL SIZE**



**KEYSTONE ELECTRONICS CORP.**

www.keyelco.com • ASTORIA, N.Y. 11105-2017 • Tel (718) 956-8900

1.14.16	CHANGE AS PER ECN 16-009	E	PART NAME <b>LOW-PROFILE PC SCREW TERMINAL</b>	
2.22.13	CHANGE AS PER ECN 13-021	D	MATERIAL <b>.032 [0.81] TH'K BRASS</b>	
7.14.09	CHANGE AS PER ECN 09-101	C	FINISH <b>MATTE TIN PLATE</b>	DRN BY <b>BOONE</b> DATE <b>9.19.01</b>
1.31.08	CHANGE AS PER ECN 08-066	B		APP'D <b>LN</b> SCALE <b>3X</b>
DATE	DESCRIPTION	REV.	TOLERANCES INCH [MM] DECIMAL <b>±.010 [±0.25]</b> ANGULAR <b>± 1°</b> UNLESS OTHERWISE SPECIFIED	CODE <b>C</b> DWG NO. <b>7785</b>