

**RS  
RS 16IO 1W L H S**

**Weidmüller Interface GmbH & Co. KG**  
Klingenbergstraße 16  
D-32758 Detmold  
Germany  
Fon: +49 5231 14-0  
Fax: +49 5231 14-292083  
www.weidmueller.com



The digital direct input/output interfaces are supplied with flat cable connectors to facilitate connection. They are available in tension clamp or clamping yoke connection, with elements such as fuses, disconnectors or LEDs.

**General ordering data**

Type	RS 16IO 1W L H S
Order No.	<a href="#">9445710000</a>
Version	Interface, RS, LED, 1-wire, Screw connection
GTIN (EAN)	4032248252930
Qty.	1 pc(s).

**RS  
RS 16IO 1W L H S**

**Weidmüller Interface GmbH & Co. KG**  
 Klingenbergstraße 16  
 D-32758 Detmold  
 Germany  
 Fon: +49 5231 14-0  
 Fax: +49 5231 14-292083  
 www.weidmueller.com

**Technical data****Dimensions and weights**

Length	46 mm	Width	87 mm
Height	72 mm	Net weight	122 g

**Temperatures**

Operating temperature	-25...+50°C	Storage temperature	-40...+60 °C
-----------------------	-------------	---------------------	--------------

**General data**

LED status display per channel	green	Disconnection per channel	No
Type of test point	No	Fuse per channel	No
LED status of the supply voltage	yellow	Power supply fuse	3.15 A
Common pole polarity	No		

**Connection data**

Connection to PLC	HE 10 connector - 20 pole	Connection on control side	Connector according IEC60603-13/DIN41651
Number of poles (control side)	20-pole plug	Connection (field side)	LP2N 5.08mm
Wiring system	1-wire		

**Ratings data**

Operating voltage	24 V DC $\pm$ 10%	Max. current per channel	1 A
Total operating current	2 A		

**Insulation coordination (EN50178)**

According to	DIN EN 50178	Rated insulation voltage	< 50 V AC
Surge voltage category	III	Pollution severity level	2
Pulse voltage test (1,2/50 $\mu$ s)	0.8 kV	Insulation test voltage	0.35 kVAC

**Connection field**

Type of connection	Screw connection	Clamping range, min.	0.13 mm <sup>2</sup>
Clamping range, max.	6 mm <sup>2</sup>	Solid, min. H05(07) V-U	0.5 mm <sup>2</sup>
Solid, max. H05(07) V-U	6 mm <sup>2</sup>	Flexible, min. H05(07) V-K	0.5 mm <sup>2</sup>
Flexible, max. H05(07) V-K	4 mm <sup>2</sup>	Flexible with sleeve, max.	2.5 mm <sup>2</sup>
Flexible with sleeve, min.	0.5 mm <sup>2</sup>	Sleeve with plastic collar, max.	2.5 mm <sup>2</sup>
Min. wire cross-section, AWG [field]	AWG 26	Max. wire cross-section, AWG [field]	AWG 12
Tightening torque, min.	0.5 Nm	Tightening torque, max.	0.6 Nm
Stripping length	6 mm		

**Supply connection**

Type of connection	Screw connection	Clamping range, min.	0.13 mm <sup>2</sup>
Clamping range, max.	6 mm <sup>2</sup>	Solid, min. H05(07) V-U	0.5 mm <sup>2</sup>
Solid, max. H05(07) V-U	6 mm <sup>2</sup>	Flexible, min. H05(07) V-K	0.5 mm <sup>2</sup>
Flexible, max. H05(07) V-K	4 mm <sup>2</sup>	Flexible with sleeve, max.	2.5 mm <sup>2</sup>
Flexible with sleeve, min.	0.5 mm <sup>2</sup>	Ferrule with plastic collar, max.	2.5 mm <sup>2</sup>
Wire cross-section, min. AWG	AWG 26	Wire cross-section, max. AWG	AWG 12
Tightening torque, min.	0.5 Nm	Tightening torque, max.	0.6 Nm
Stripping length	6 mm		

**Data sheet****RS  
RS 16IO 1W L H S****Weidmüller Interface GmbH & Co. KG**  
Klingenbergstraße 16  
D-32758 Detmold  
Germany  
Fon: +49 5231 14-0  
Fax: +49 5231 14-292083  
www.weidmueller.com**Technical data****Classifications**

ETIM 3.0	EC001423	UNSPSC	30-21-18-01
eClass 5.1	27-24-22-08	eClass 6.2	27-24-22-08
eClass 7.1	27-24-22-08		

**Approvals**

Approvals



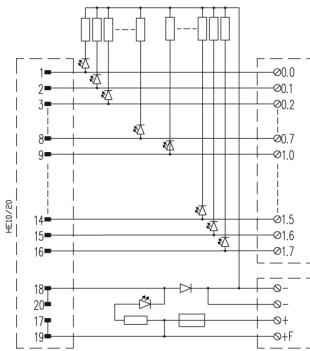
ROHS

Conform

**Downloads**Declaration of Conformity [K277\\_11\\_04.pdf](#)

**Data sheet****RS  
RS 16IO 1W L H S**

**Weidmüller Interface GmbH & Co. KG**  
Klingenbergstraße 16  
D-32758 Detmold  
Germany  
Fon: +49 5231 14-0  
Fax: +49 5231 14-292083  
www.weidmueller.com

**Drawings**

The wiring diagram corresponds to the version with LEDs.