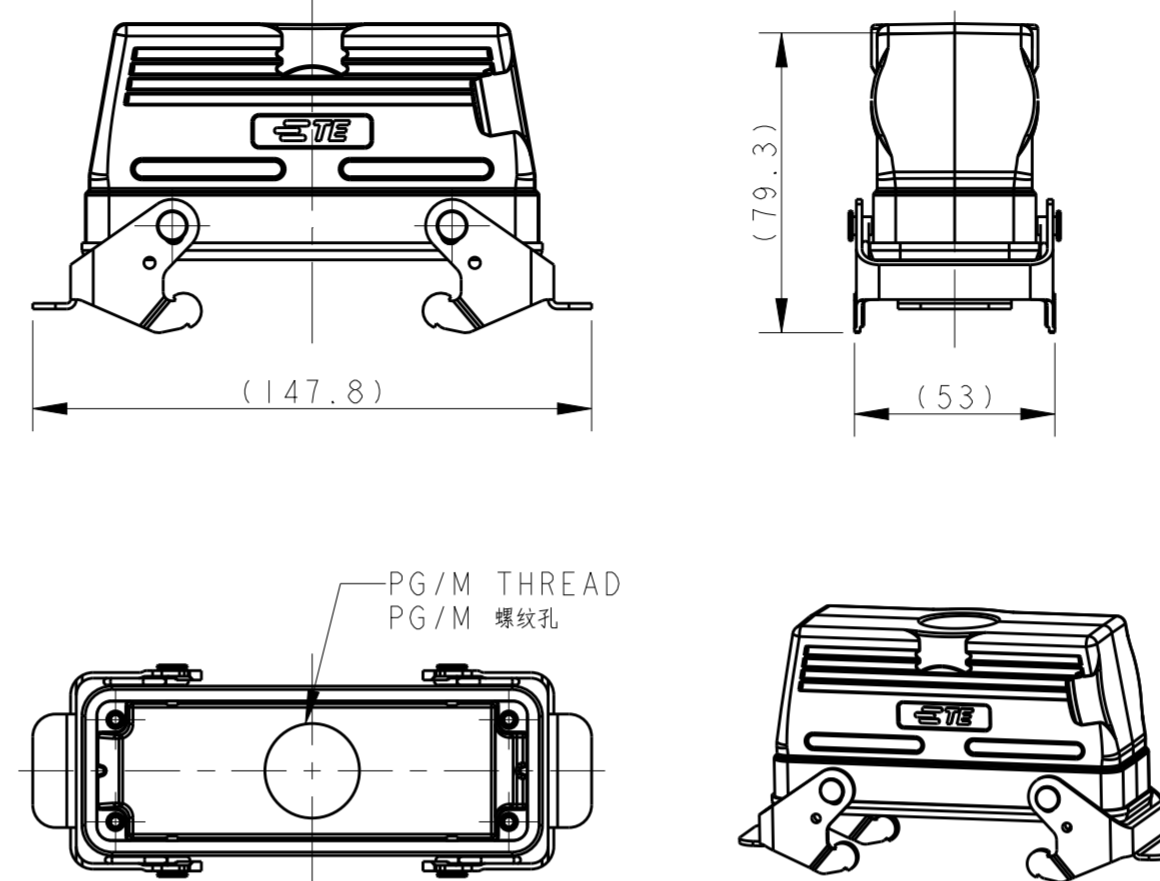
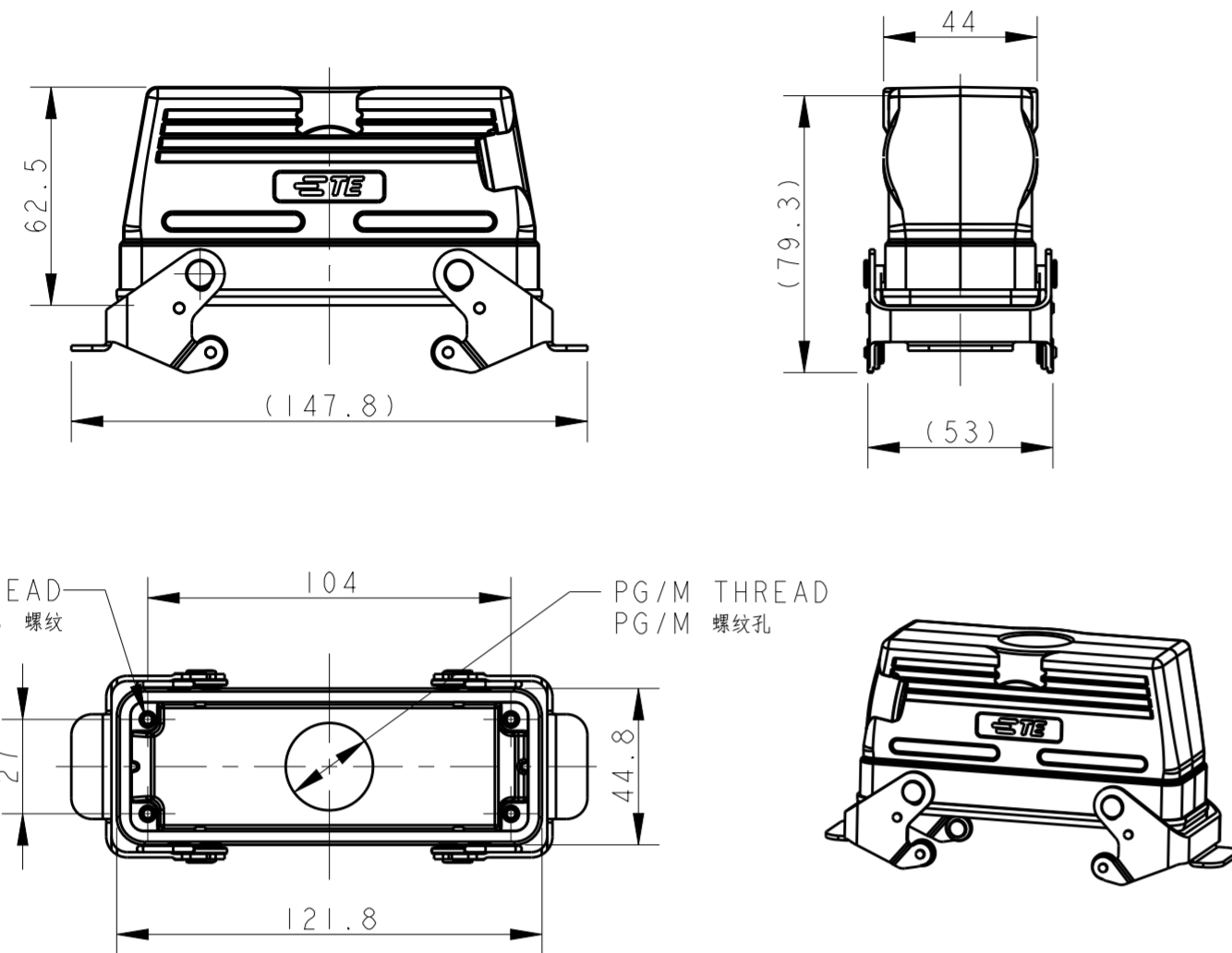


THIS DRAWING IS UNPUBLISHED. RELEASED FOR PUBLICATION 20
 © COPYRIGHT 20 BY - ALL RIGHTS RESERVED.

| REVISIONS | | | | |
|-----------|-----|-----------------|-----------|-------|
| P | LTR | DESCRIPTION | DATE | APVD |
| A | | INITIAL RELEASE | 03JUL2015 | DL CW |
| AI | | ECR-16-013642 | 09MAY2017 | BS CW |

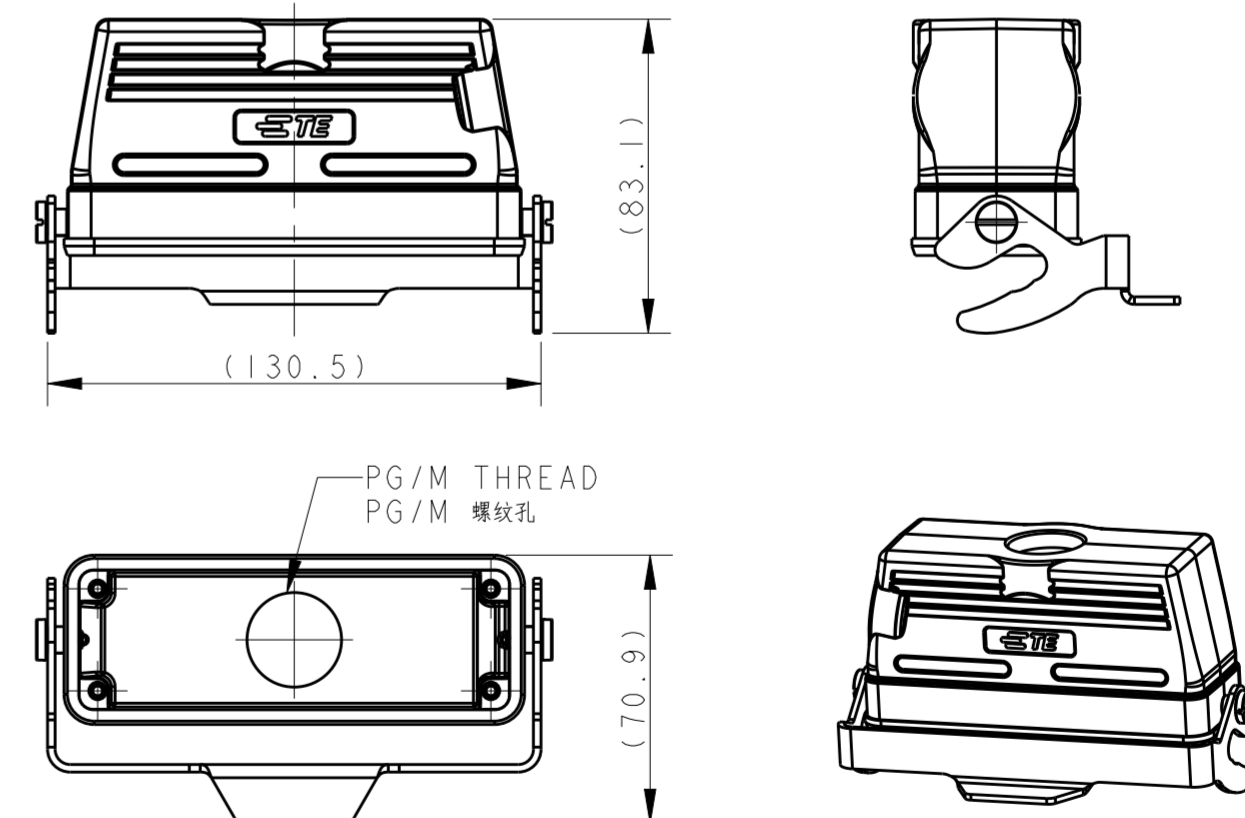
TYPE 1: LOW CONSTRUCTION + STAINLESS STEEL DOUBLE LOCKING
 类型1: 低结构壳体+不锈钢双扣

TYPE 2: LOW CONSTRUCTION + METAL DOUBLE LOCKING
 OTHER SPEC REFER TO TYPE 1
 类型2: 低结构壳体+彩锌双扣, 其他规格参照类型1



NOTES:
 1. TECHNICAL CHARACTERISTICS:
 BODY MATERIAL: DIE CAST ALUMINIUM ALLOY
 SURFACE TREATMENT: POWDER COATED, GREY
 DEGREE OF PROTECTION: IP65 (MATED)
 注释:
 1. 技术参数:
 主体材料: 铝合金
 表面处理: 灰色粉末喷涂
 防护等级: IP65(配合)

TYPE 3: LOW CONSTRUCTION + METAL SINGLE LOCKING
 OTHER SPEC REFER TO TYPE 1
 类型3: 低结构壳体+彩锌单扣, 其他规格参照类型1



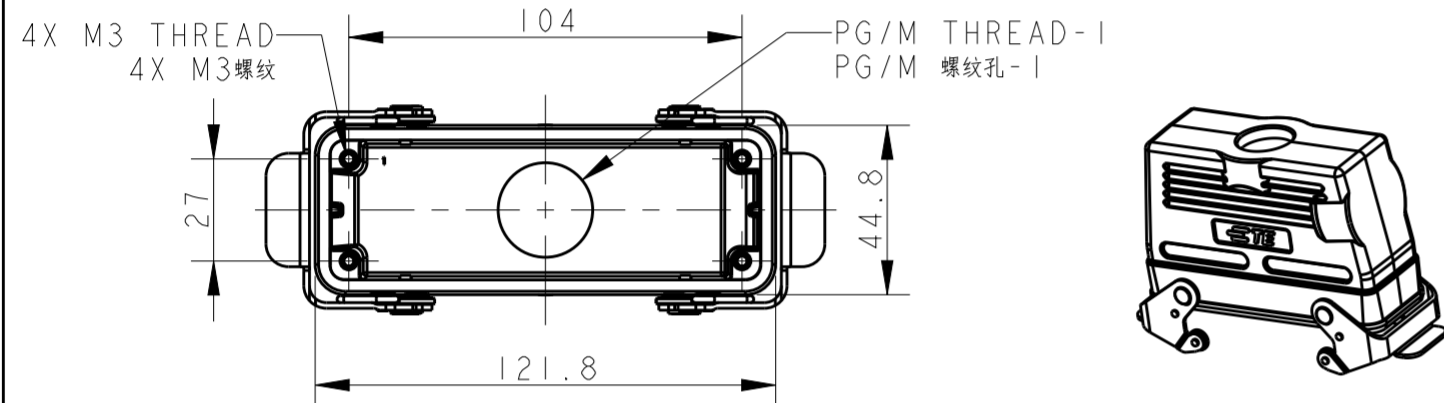
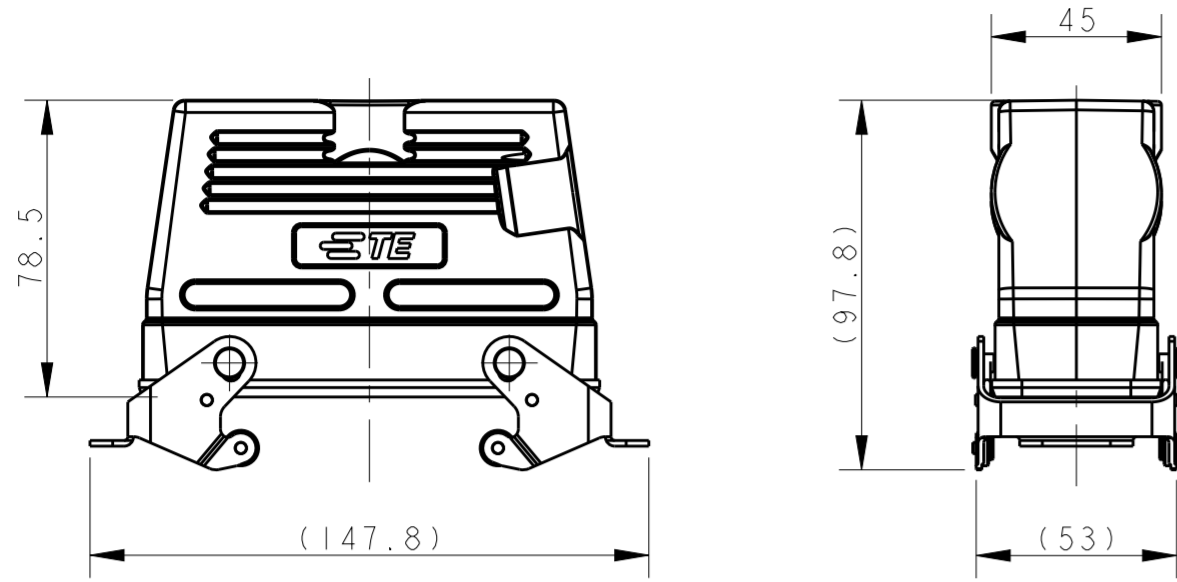
| | | | | |
|-------------------|------------------------|---|-------------------------|----------------|
| T1710241121-000 | H24B-TBFS-PG21 | H24B HOUSING, CABLE-TO-CABLE, STAINLESS STEEL DOUBEL LOCKING, TOP ENTRY PG21, LOW CONSTRUCTION, POWDER COATED, GRAY H24B下壳, 电缆对接, 不锈钢双扣, 顶出PG21, 低结构, 灰色粉末喷涂 | PG21 | TYPE 1 类型 1 |
| T1710241125-000 | H24B-TBFS-M25 | H24B HOUSING, CABLE-TO-CABLE, STAINLESS STEEL DOUBEL LOCKING, TOP ENTRY M25, LOW CONSTRUCTION, POWDER COATED, GRAY H24B下壳, 电缆对接, 不锈钢双扣, 顶出M25, 低结构, 灰色粉末喷涂 | M25 | |
| T1710241132-000 | H24B-TBFS-M32 | H24B HOUSING, CABLE-TO-CABLE, STAINLESS STEEL DOUBEL LOCKING, TOP ENTRY M32, LOW CONSTRUCTION, POWDER COATED, GRAY H24B下壳, 电缆对接, 不锈钢双扣, 顶出M32, 低结构, 灰色粉末喷涂 | M32 | |
| T1710241132-100 | H24B-TBFS-M32 | H24B HOUSING, CABLE-TO-CABLE, STAINLESS STEEL DOUBEL LOCKING, TOP ENTRY M32, LOW CONSTRUCTION, NO LOGO, POWDER COATED, GRAY H24B下壳, 电缆对接, 不锈钢双扣, 顶出M32, 低结构, 无标志, 灰色粉末喷涂 | M32 | |
| T1710242121-000 | H24B-TBF-PG21 | H24B HOUSING, CABLE-TO-CABLE, METAL DOUBLE LOCKING, TOP ENTRY PG21, LOW CONSTRUCTION, POWDER COATED, GRAY H24B下壳, 电缆对接, 彩锌双扣, 顶出PG21, 低结构, 灰色粉末喷涂 | PG21 | TYPE 2 类型 2 |
| T1710242125-000 | H24B-TBF-M25 | H24B HOUSING, CABLE-TO-CABLE, METAL DOUBLE LOCKING, TOP ENTRY M25, LOW CONSTRUCTION, POWDER COATED, GRAY H24B下壳, 电缆对接, 彩锌双扣, 顶出M25, 低结构, 灰色粉末喷涂 | M25 | |
| T1710242129-000 | H24B-TBF-PG29 | H24B HOUSING, CABLE-TO-CABLE, METAL DOUBLE LOCKING, TOP ENTRY PG29, LOW CONSTRUCTION, POWDER COATED, GRAY H24B下壳, 电缆对接, 彩锌双扣, 顶出PG29, 低结构, 灰色粉末喷涂 | PG29 | |
| T1710242132-000 | H24B-TBF-M32 | H24B HOUSING, CABLE-TO-CABLE, METAL DOUBLE LOCKING, TOP ENTRY M32, LOW CONSTRUCTION, POWDER COATED, GRAY H24B下壳, 电缆对接, 彩锌双扣, 顶出M32, 低结构, 灰色粉末喷涂 | M32 | |
| T1710242134-000 | H24B-TBF-G3/4 | H24B HOUSING, CABLE-TO-CABLE, METAL DOUBLE LOCKING, TOP ENTRY G3/4, LOW CONSTRUCTION, POWDER COATED, GRAY H24B下壳, 电缆对接, 彩锌双扣, 顶出G3/4, 低结构, 灰色粉末喷涂 | G3/4 | TYPE 3 类型 3 |
| T1730242121-000 | H24B-TBF-LB-PG21 | H24B HOUSING, CABLE-TO-CABLE, METAL SINGLE LOCKING, TOP ENTRY PG21, LOW CONSTRUCTION, POWDER COATED, GRAY H24B下壳, 电缆对接, 彩锌单扣, 顶出PG21, 低结构, 灰色粉末喷涂 | PG21 | |
| T1730242125-000 | H24B-TBF-LB-M25 | H24B HOUSING, CABLE-TO-CABLE, METAL SINGLE LOCKING, TOP ENTRY M25, LOW CONSTRUCTION, POWDER COATED, GRAY H24B下壳, 电缆对接, 彩锌单扣, 顶出M25, 低结构, 灰色粉末喷涂 | M25 | |
| T1730242132-000 | H24B-TBF-LB-M32 | H24B HOUSING, CABLE-TO-CABLE, METAL SINGLE LOCKING, TOP ENTRY M32, LOW CONSTRUCTION, POWDER COATED, GRAY H24B下壳, 电缆对接, 彩锌单扣, 顶出M32, 低结构, 灰色粉末喷涂 | M32 | |
| PART NUMBER 料号 | PART DESCRIPTION 描述 | | PG/M THREAD PG/M 螺纹孔 | TYPE 类型 |

THIS DRAWING IS A CONTROLLED DOCUMENT.

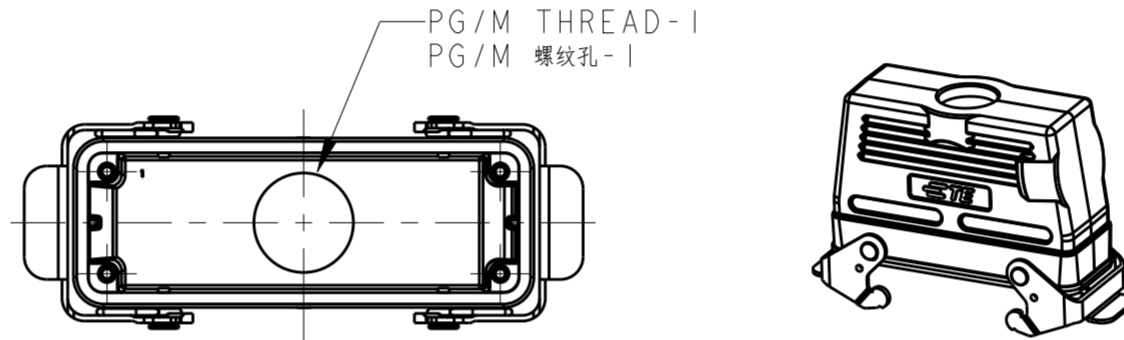
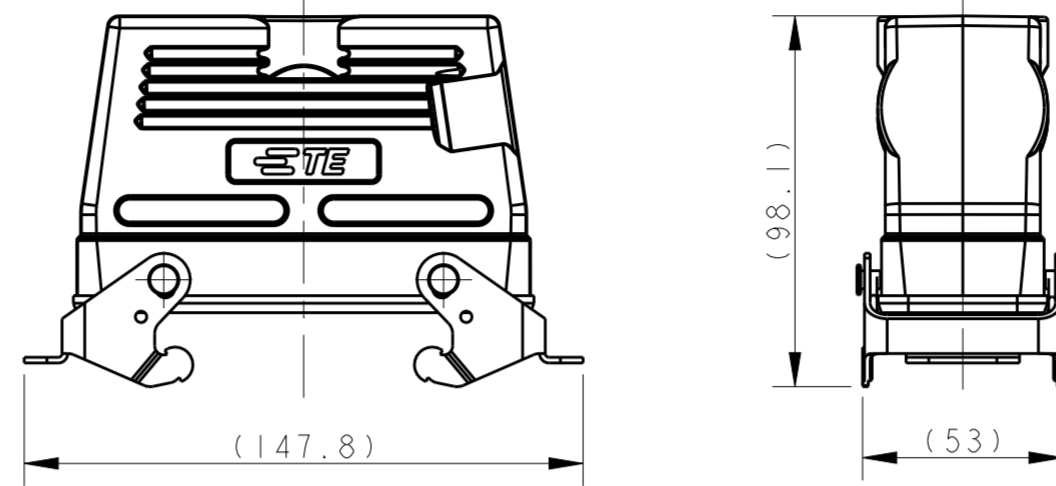
| | | | | |
|--------------------------------|---|-----------------|---|-----------------|
| DIMENSIONS: mm | TOLERANCES UNLESS OTHERWISE SPECIFIED: 0 PLC ± 1 PLC ± 2 PLC ± 3 PLC ± 4 PLC ± ANGLES ± FINISH | MATERIAL TBD | DWN DAVID LI 03JUL2015 CHK CHRIS WANG 03JUL2015 APVD XU XIANG 03JUL2015 | TE Connectivity |
| PRODUCT SPEC 108-137013 | | | NAME H24B-TBFS/TBF-LB/TBF-PG/M | RESTRICTED TO |
| APPLICATION SPEC 114-137013 | | | SIZE A2 | SCALE 1:2 |
| CUSTOMER DRAWING | | | DRAWING NO G-T17X024XXXX000 | SHEET 1 OF 3 |
| | | | REV A1 | |

THIS DRAWING IS UNPUBLISHED. RELEASED FOR PUBLICATION 20
 © COPYRIGHT 20 BY - ALL RIGHTS RESERVED.

TYPE 4: HIGH CONSTRUCTION + STAINLESS STEEL DOUBLE LOCKING
 类型4: 高结构壳体+不锈钢双扣



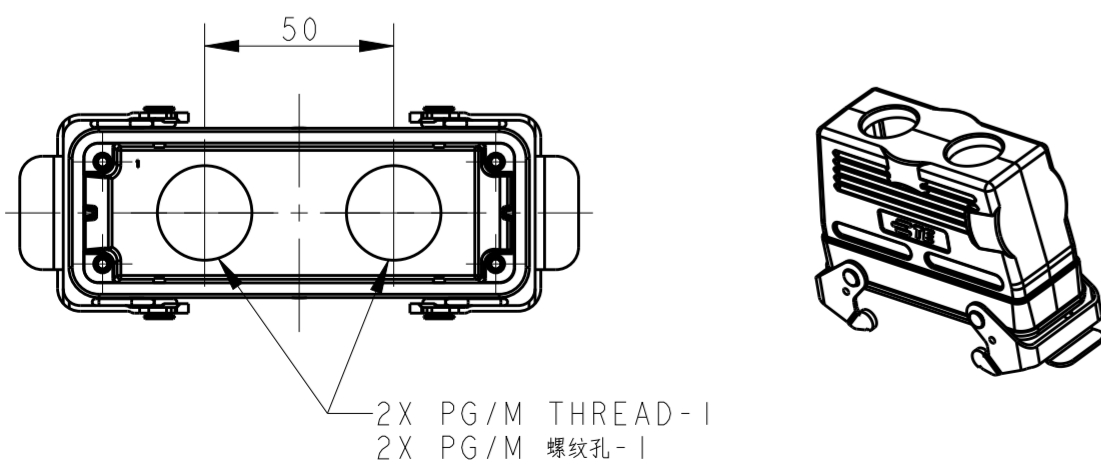
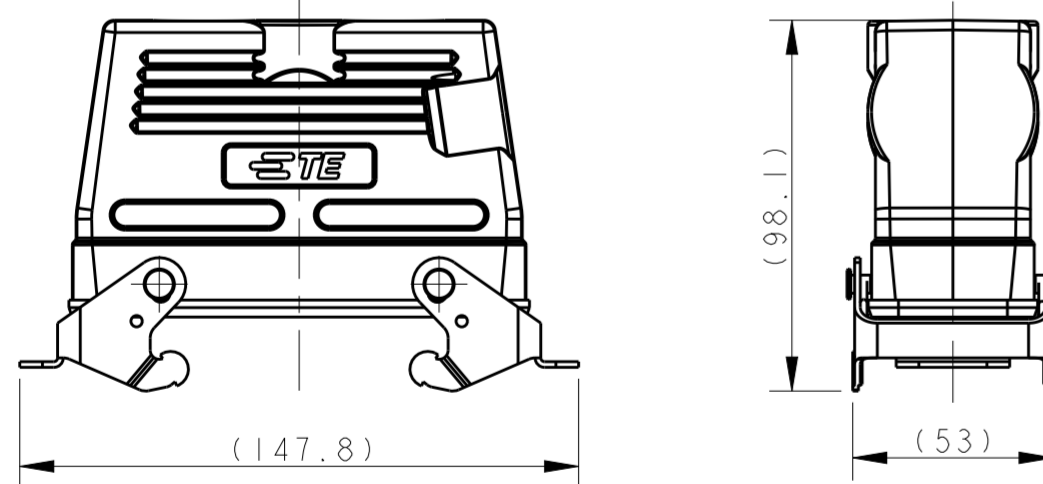
TYPE 5: HIGH CONSTRUCTION + METAL DOUBLE LOCKING
 OTHER SPEC REFER TO TYPE 4
 类型5: 高结构壳体+彩锌双扣, 其他规格参照类型4



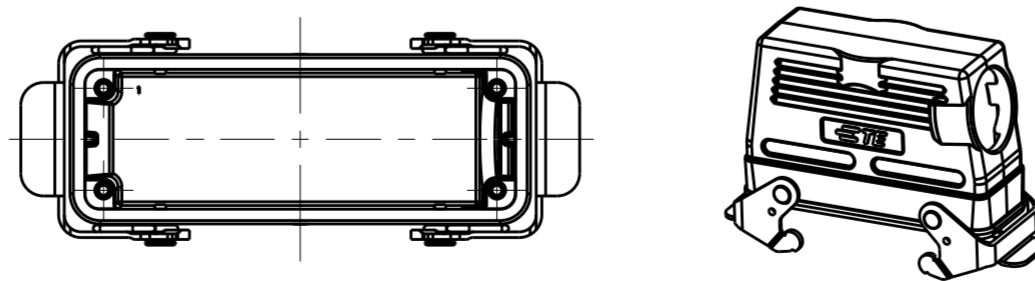
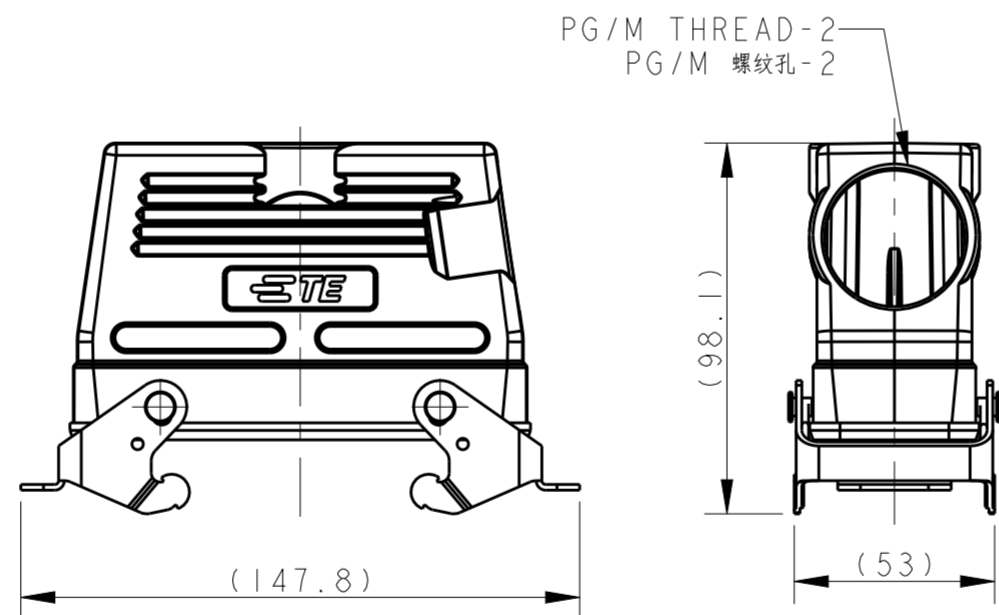
| REVISIONS | | | | |
|-----------|-----|-------------|------|------|
| P | LTR | DESCRIPTION | DATE | APVD |
| - | - | SEE SHEET 1 | - | - |
| | | | | |
| | | | | |

NOTE:
SEE SHEET 1

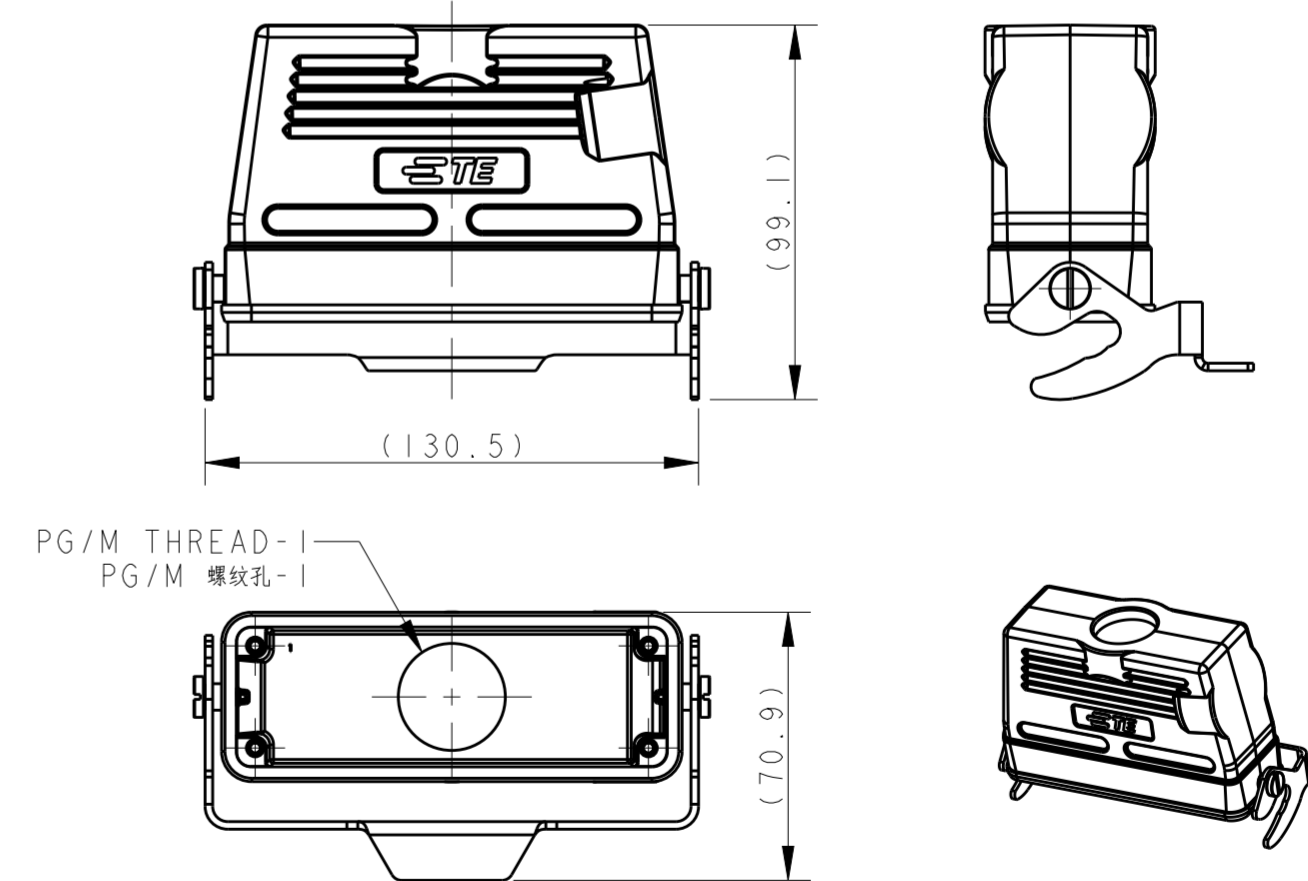
TYPE 6: HIGH CONSTRUCTION + METAL DOUBLE LOCKING + TOP ENTRY+2 HOLE, OTHER SPEC REFER TO TYPE 4
 类型6: 高结构壳体+彩锌双扣+顶出+2个进线孔, 其他规格参照类型4



TYPE 7: HIGH CONSTRUCTION + METAL DOUBLE LOCKING + SIDE ENTRY, OTHER SPEC REFER TO TYPE 4
 类型7: 高结构壳体+彩锌双扣+侧出进线孔, 其他规格参照类型4



TYPE 8: HIGH CONSTRUCTION + METAL SINGLE LOCKING, OTHER SPEC REFER TO TYPE 4
 类型8: 高结构壳体+彩锌单扣, 其他规格参照类型4



THIS DRAWING IS A CONTROLLED DOCUMENT.

| | |
|-------------|--|
| DIMENSIONS: | TOLERANCES UNLESS OTHERWISE SPECIFIED: |
| mm | 0 PLC ± |
| | 1 PLC ± |
| | 2 PLC ± |
| | 3 PLC ± |
| | 4 PLC ± |
| | ANGLES ± |
| | FINISH - |
| MATERIAL | TBD |

| | | |
|------------------|------------|-----------|
| DWN | DAVID LI | 03JUL2015 |
| CHK | CHRIS WANG | 03JUL2015 |
| APVD | XU XIANG | 03JUL2015 |
| PRODUCT SPEC | 108-137013 | |
| APPLICATION SPEC | 114-137013 | |
| WEIGHT | - | |
| CUSTOMER DRAWING | - | |

| | |
|----------------------------|---------------------------|
| STE TE Connectivity | |
| NAME | H24B-TBFS/TBF-LB/TBF-PG/M |
| SIZE | A2 |
| CAGE CODE | - |
| DRAWING NO | G-T17X024XXXX000 |
| RESTRICTED TO | - |
| SCALE | 1:2 |
| SHEET | 2 OF 3 |
| REV | A1 |

THIS DRAWING IS UNPUBLISHED. RELEASED FOR PUBLICATION 20
 © COPYRIGHT 20 BY - ALL RIGHTS RESERVED.

| REVISIONS | | | | |
|-----------|-----|-------------|------|------|
| P | LTR | DESCRIPTION | DATE | APVD |
| - | | SEE SHEET 1 | - | - |
| | | | | |
| | | | | |

NOTE:
SEE SHEET 1

| | | | | | |
|-------------------|------------------------|--|-----------------------------|-----------------------------|----------------|
| T1750241121-000 | H24B-TBFHS-PG21 | H24B HOUSING, CABLE-TO-CABLE, STAINLESS STEEL DOUBEL LOCKING, TOP ENTRY PG21, HIGH CONSTRUCTION, POWDER COATED, GRAY H24B下壳, 电缆对接, 不锈钢双扣, 顶出PG21, 高结构, 灰色粉末喷涂 | PG21 | - | TYPE 4 类型 4 |
| T1750241125-000 | H24B-TBFHS-M25 | H24B HOUSING, CABLE-TO-CABLE, STAINLESS STEEL DOUBEL LOCKING, TOP ENTRY M25, HIGH CONSTRUCTION, POWDER COATED, GRAY H24B下壳, 电缆对接, 不锈钢双扣, 顶出M25, 高结构, 灰色粉末喷涂 | M25 | - | |
| T1750241129-000 | H24B-TBFHS-PG29 | H24B HOUSING, CABLE-TO-CABLE, STAINLESS STEEL DOUBEL LOCKING, TOP ENTRY PG29, HIGH CONSTRUCTION, POWDER COATED, GRAY H24B下壳, 电缆对接, 不锈钢双扣, 顶出PG29, 高结构, 灰色粉末喷涂 | PG29 | - | |
| T1750241132-000 | H24B-TBFHS-M32 | H24B HOUSING, CABLE-TO-CABLE, STAINLESS STEEL DOUBEL LOCKING, TOP ENTRY M32, HIGH CONSTRUCTION, POWDER COATED, GRAY H24B下壳, 电缆对接, 不锈钢双扣, 顶出M32, 高结构, 灰色粉末喷涂 | M32 | - | |
| T1750242121-000 | H24B-TBFH-PG21 | H24B HOUSING, CABLE-TO-CABLE, METAL DOUBLE LOCKING, TOP ENTRY PG21, HIGH CONSTRUCTION, POWDER COATED, GRAY H24B下壳, 电缆对接, 彩锌双扣, 顶出PG21, 高结构, 灰色粉末喷涂 | PG21 | - | TYPE 5 类型 5 |
| T1750242125-000 | H24B-TBFH-M25 | H24B HOUSING, CABLE-TO-CABLE, METAL DOUBLE LOCKING, TOP ENTRY M25, HIGH CONSTRUCTION, POWDER COATED, GRAY H24B下壳, 电缆对接, 彩锌双扣, 顶出M25, 高结构, 灰色粉末喷涂 | M25 | - | |
| T1750242129-000 | H24B-TBFH-PG29 | H24B HOUSING, CABLE-TO-CABLE, METAL DOUBLE LOCKING, TOP ENTRY PG29, HIGH CONSTRUCTION, POWDER COATED, GRAY H24B下壳, 电缆对接, 彩锌双扣, 顶出PG29, 高结构, 灰色粉末喷涂 | PG29 | - | |
| T1750242132-000 | H24B-TBFH-M32 | H24B HOUSING, CABLE-TO-CABLE, METAL DOUBLE LOCKING, TOP ENTRY M32, HIGH CONSTRUCTION, POWDER COATED, GRAY H24B下壳, 电缆对接, 彩锌双扣, 顶出M32, 高结构, 灰色粉末喷涂 | M32 | - | |
| T1750242140-000 | H24B-TBFH-M40 | H24B HOUSING, CABLE-TO-CABLE, METAL DOUBLE LOCKING, TOP ENTRY M40, HIGH CONSTRUCTION, POWDER COATED, GRAY H24B下壳, 电缆对接, 彩锌双扣, 顶出M40, 高结构, 灰色粉末喷涂 | M40 | - | TYPE 6 类型 6 |
| T1750242221-000 | H24B-TBFH-2PG21 | H24B HOUSING, CABLE-TO-CABLE, METAL DOUBLE LOCKING, TOP ENTRY 2PG21, HIGH CONSTRUCTION, POWDER COATED, GRAY H24B下壳, 电缆对接, 彩锌双扣, 顶出2PG21, 高结构, 灰色粉末喷涂 | 2X PG21 | - | |
| T1750242225-000 | H24B-TBFH-2M25 | H24B HOUSING, CABLE-TO-CABLE, METAL DOUBLE LOCKING, TOP ENTRY 2M25, HIGH CONSTRUCTION, POWDER COATED, GRAY H24B下壳, 电缆对接, 彩锌双扣, 顶出2M25, 高结构, 灰色粉末喷涂 | 2X M25 | - | |
| T1790242129-000 | H24B-TBFH-PG29 | H24B HOUSING, CABLE-TO-CABLE, METAL DOUBLE LOCKING, SIDE ENTRY PG29, HIGH CONSTRUCTION, POWDER COATED, GRAY H24B下壳, 电缆对接, 彩锌双扣, 侧出PG29, 高结构, 灰色粉末喷涂 | - | PG29 | |
| T1770243121-000 | H24B-TBFH-LB-PG21 | H24B HOUSING, CABLE-TO-CABLE, METAL SINGLE LOCKING, TOP ENTRY PG21, HIGH CONSTRUCTION, POWDER COATED, GRAY H24B下壳, 电缆对接, 彩锌单扣, 顶出PG21, 高结构, 灰色粉末喷涂 | PG21 | - | TYPE 8 类型 8 |
| T1770243129-000 | H24B-TBFH-LB-PG29 | H24B HOUSING, CABLE-TO-CABLE, METAL SINGLE LOCKING, TOP ENTRY PG29, HIGH CONSTRUCTION, POWDER COATED, GRAY H24B下壳, 电缆对接, 彩锌单扣, 顶出PG29, 高结构, 灰色粉末喷涂 | PG29 | - | |
| T1770243132-000 | H24B-TBFH-LB-M32 | H24B HOUSING, CABLE-TO-CABLE, METAL SINGLE LOCKING, TOP ENTRY M32, HIGH CONSTRUCTION, POWDER COATED, GRAY H24B下壳, 电缆对接, 彩锌单扣, 顶出M32, 高结构, 灰色粉末喷涂 | M32 | - | |
| PART NUMBER 料号 | PART DESCRIPTION 描述 | | PG/M THREAD-1 PG/M 螺纹孔-1 | PG/M THREAD-2 PG/M 螺纹孔-2 | TYPE 类型 |

| | | | | | |
|--|--|-----------------------------|--------------------------------|--------------|------------------------------|
| THIS DRAWING IS A CONTROLLED DOCUMENT. | | DWN DAVID LI 03JUL2015 | STE TE Connectivity | | |
| | | CHK CHRIS WANG 03JUL2015 | | | |
| | | APVD XU XIANG 03JUL2015 | NAME H24B-TBFS/TBF-LB/TBF-PG/M | | |
| DIMENSIONS: mm | | PRODUCT SPEC 108-137013 | SIZE A2 | CAGE CODE - | DRAWING NO. ©-T17X024XXXX000 |
| TOLERANCES UNLESS OTHERWISE SPECIFIED: | | APPLICATION SPEC 114-137013 | RESTRICTED TO - | | |
| MATERIAL TBD | | WEIGHT - | SCALE 1:2 | SHEET 3 OF 3 | REV A1 |
| | | CUSTOMER DRAWING | | | |