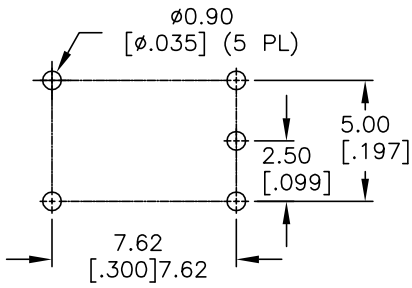
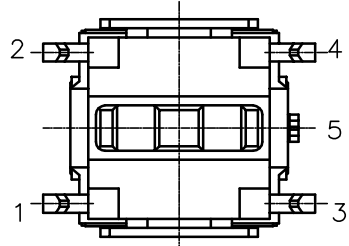
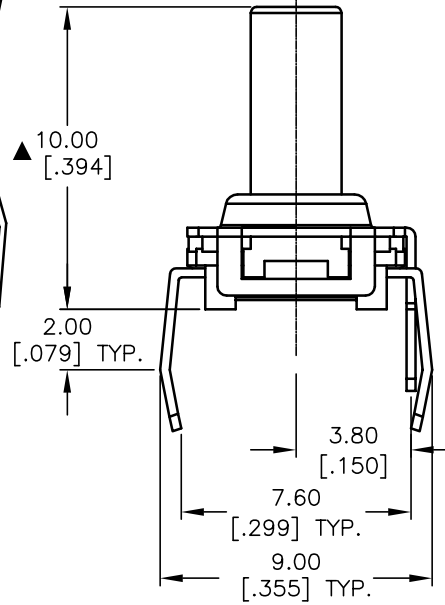
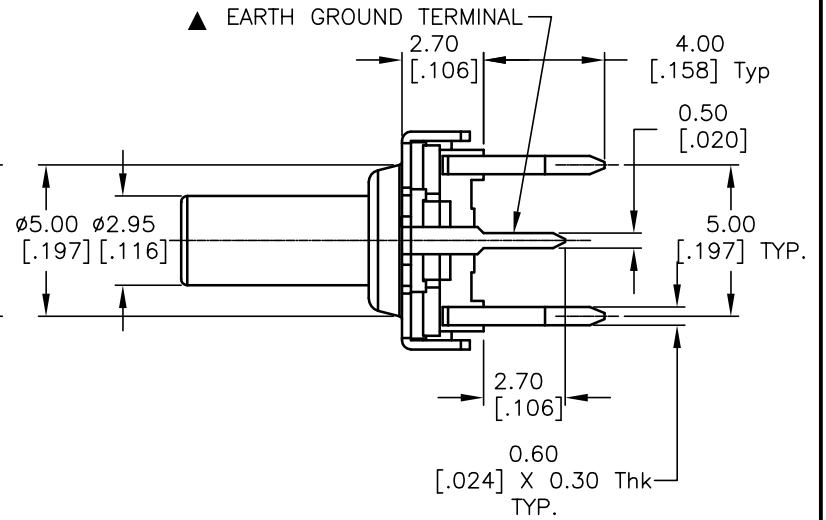
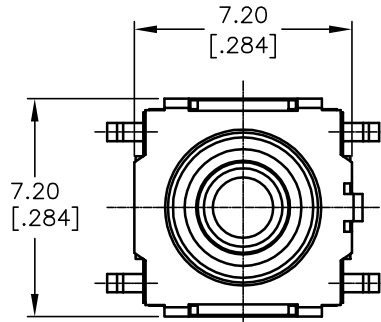
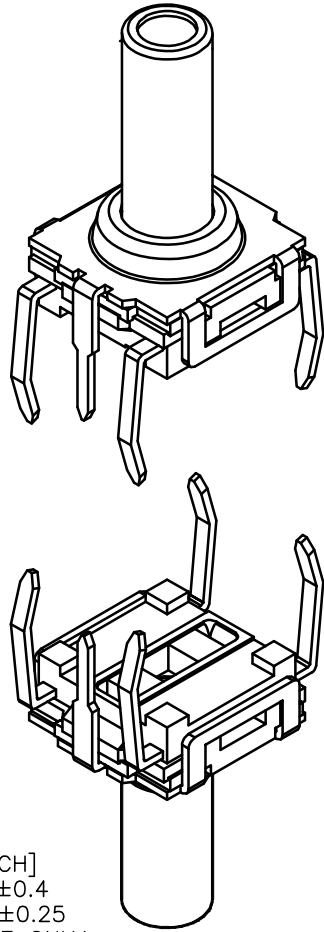
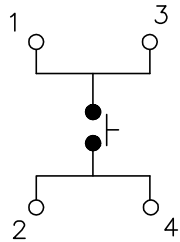


P.C.B LAND PATTERN



CIRCUIT DIAGRAM



NOTES:

1. ALL DIMENSIONS IN MM [INCH]
2. GENERAL TOLERANCE: X.X=±0.4
X.XX=±0.25
3. TERM. NOS. FOR REFERENCE ONLY.
- ▲ 4. OPERATING FORCE: 160±50gf
5. MECHANICAL/ELECTRICAL LIFE: 300,000 CYCLES
6. TRAVEL: 0.25 +0.1mm
7. SWITCH VOLTAGE(MAX.): 50V
8. SWITCH POWER(MAX.): 1VA
9. CONTACT RESISTANCE: 50MILLI Ω @ 5VDC.
10. INSULATION RESISTANCE: 10000M Ω min.
11. BOUNCE(MAX.): <5m SEC.
11. OPERATING TEMPERATURE: -40°C TO +85°C
12. STORAGE TEMPERATURE: -55°C TO +85°C
13. PACKAGING: TUBE
14. ▲ DONOTES CRITICAL PARAMETER.

E-SWITCH®

TITLE		TL6105DF160QP		
SCALE	DATE	DR	DWG	REV
4:1	5/20/04	AR	D350506	A

A	13033	RELEASED FOR PRODUCTION	5/20/04	AR
REV.	ECN No.	DESCRIPTION	DATE	CHKD
<small>THE INFORMATION CONTAINED IN THIS DOCUMENT IS PROPRIETARY TO E-SWITCH AND IS NOT TO BE COPIED OR TRANSFERRED</small>				