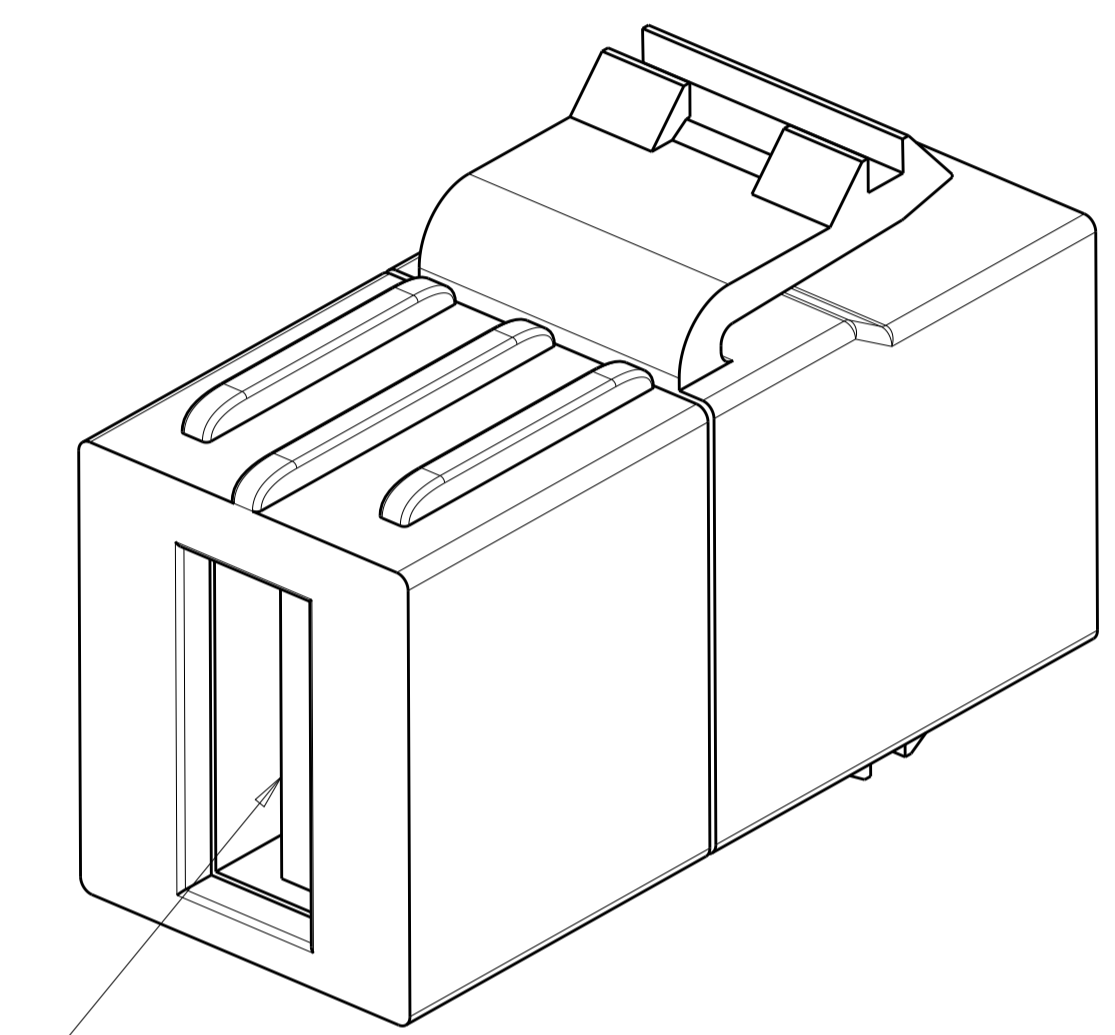
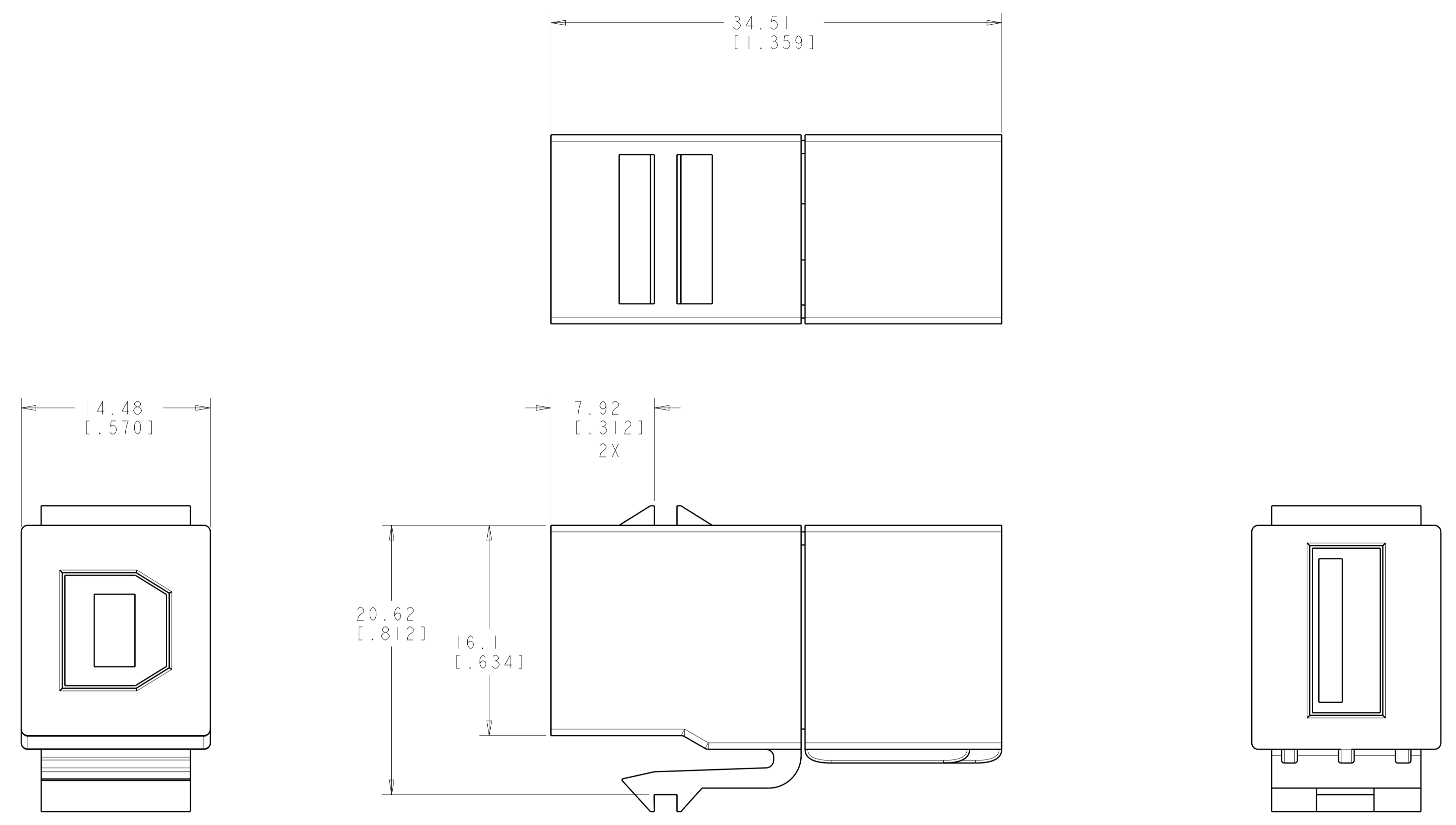
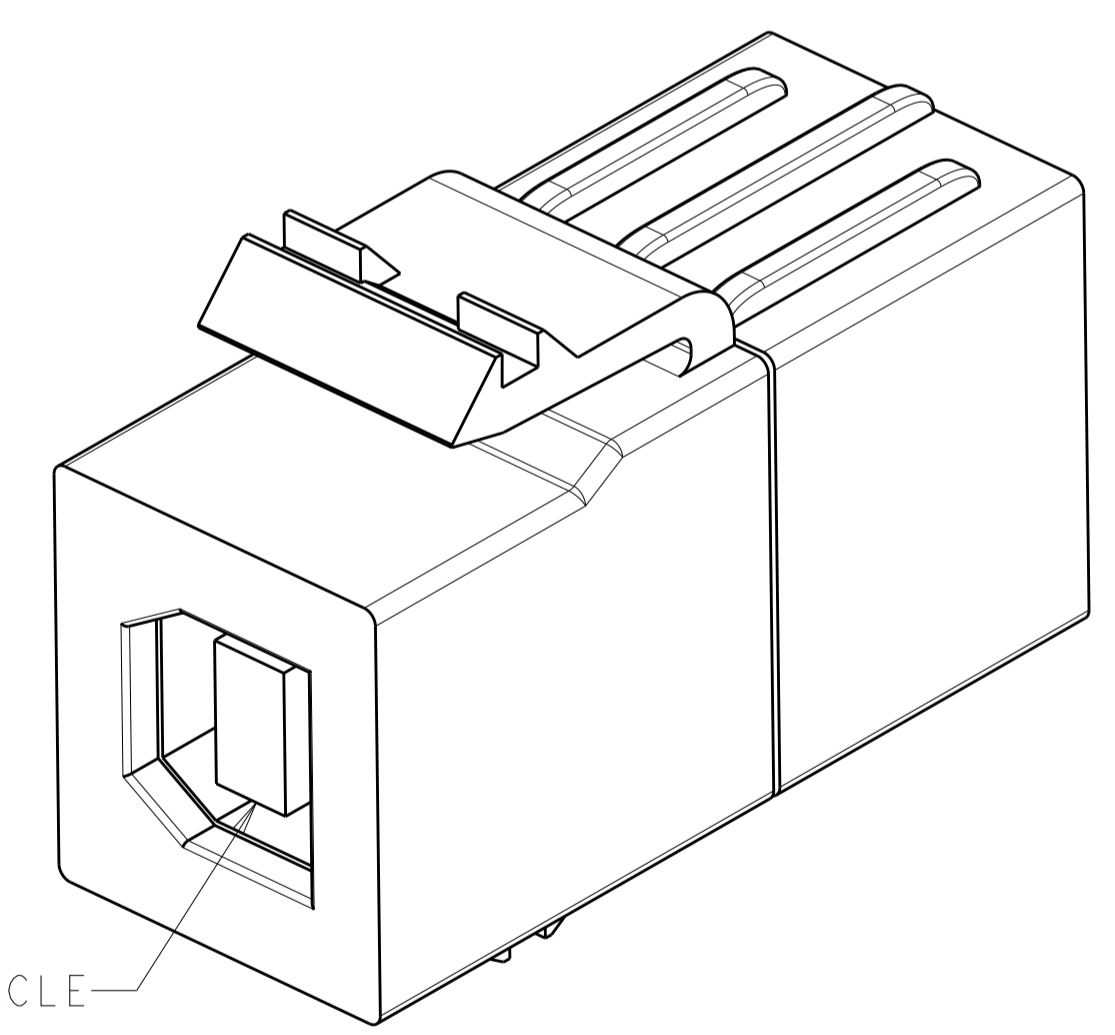
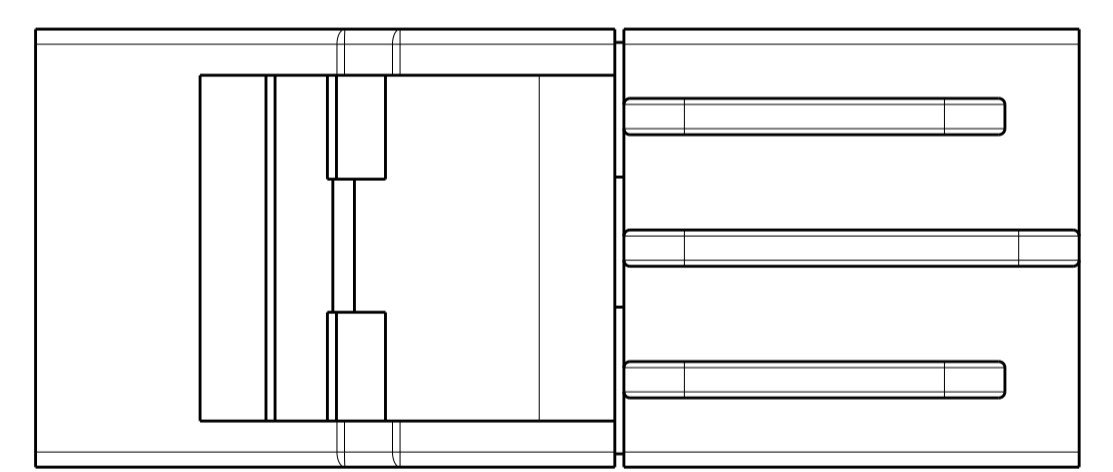


LOC		DIST		REVISIONS				
				REV	DESCRIPTION	DATE	DWN	APVD
HM	00	B	REV; ECO-13-004517			13MAR2013	GG	RA
		C	REV; ECO-13-009275			04JUN2013	GG	RA

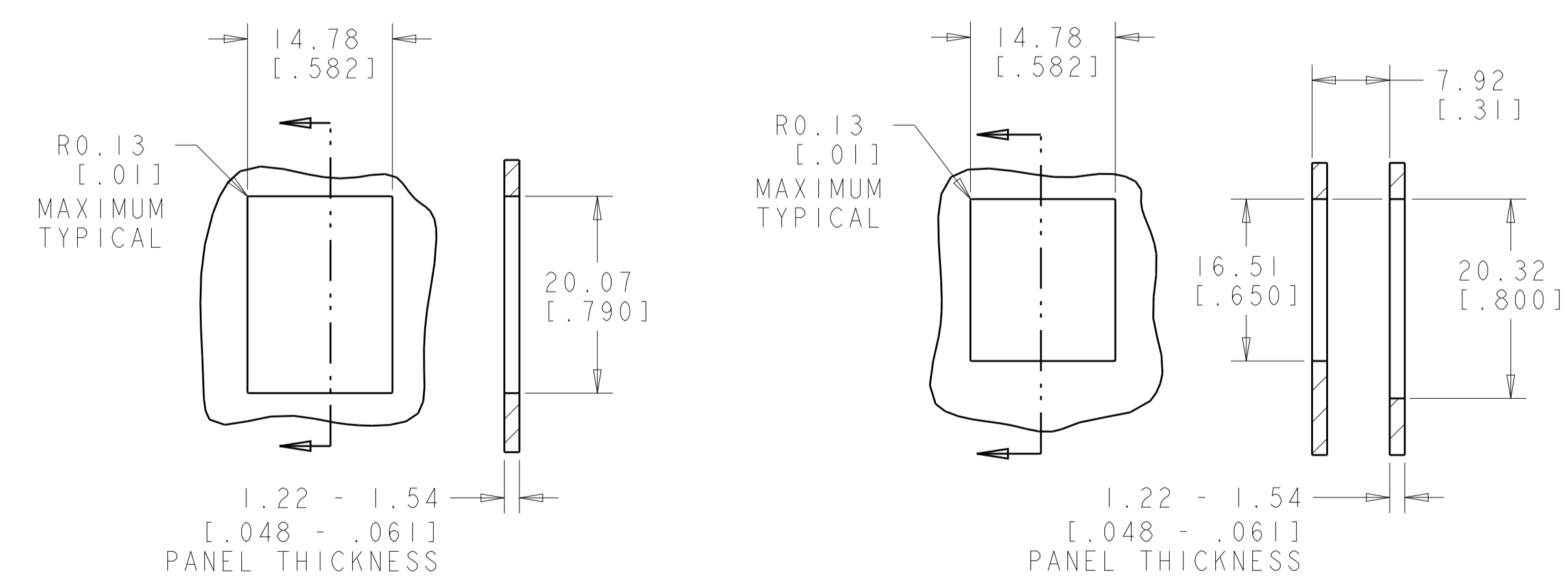
- △ MATERIAL:
 HOUSING - UL 94V-0 RATED ABS.
 SEE TABLE FOR COLOR.
- CONNECTOR: STANDARD USB A AND B TYPE.
 - COMPLIES WITH ROHS DIRECTIVE 2002/95/EC TO BE LEAD FREE.



USB TYPE-A RECEPTACLE



USB TYPE-B RECEPTACLE



SINGLE PANEL CUTOUT

SUGGESTED FLUSH MOUNT PANEL APPLICATION CUTOUT

ALPINE WHITE	I-1933661-3
LIGHT ALMOND	1933661-1
COLOR	PART NUMBER

THIS DRAWING IS A CONTROLLED DOCUMENT.		DWN: G. GARRETT 11APR2008	ALPINE WHITE I-1933661-3	
DIMENSIONS: MM [INCHES]		CHK: S. ALLGOOD 17APR2008	LIGHT ALMOND 1933661-1	
TOLERANCES UNLESS OTHERWISE SPECIFIED:		APVD: S. ALLGOOD 17APR2008	COLOR PART NUMBER	
0 PLC ±	1 PLC ±	PRODUCT SPEC	NAME USB B-A COUPLER, SL JACK STYLE	
2 PLC ±	3 PLC ±	APPLICATION SPEC	SIZE CAGE CODE DRAWING NO RESTRICTED TO	
4 PLC ±	ANGLES ±	WEIGHT	A100779C=1933661	
MATERIAL	FINISH	Customer Drawing	SCALE 4:1	SHEET 1 OF 1 REV C