

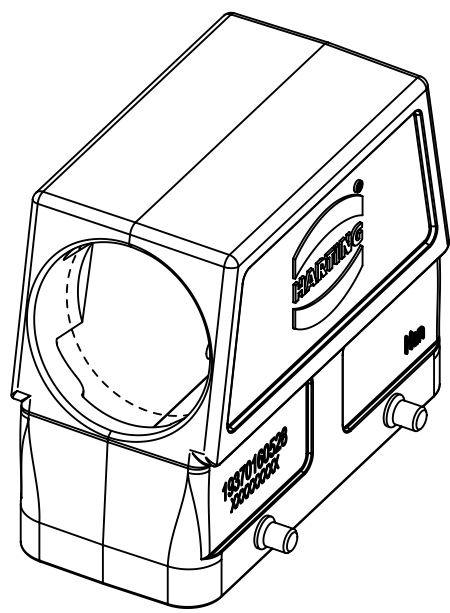
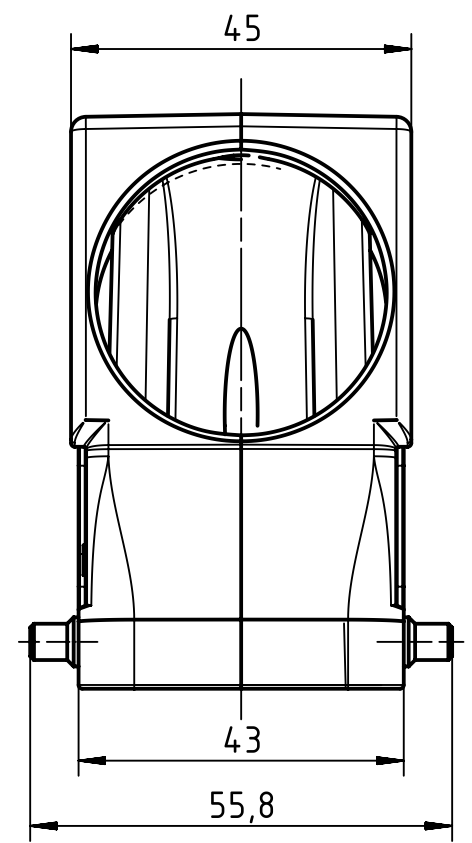
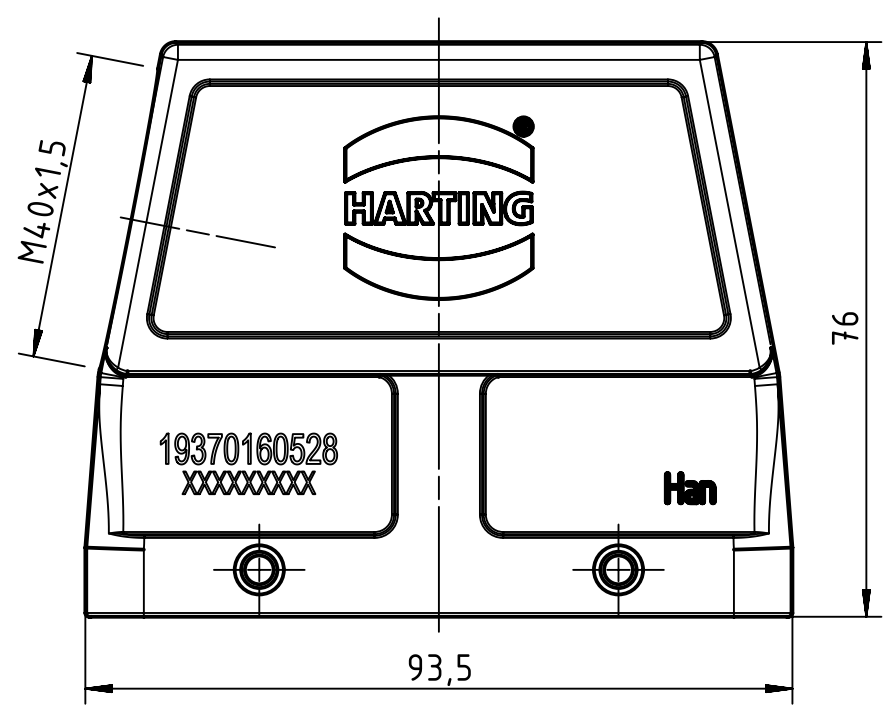
1 2 3 4 5 6

A

B

C

D



	All Dimensions in mm Original Size DIN A4		Scale 1:1	Free size tol.		Ref. Sub. TB 19 37 016 0528 v. 27.05.2013		
		All rights reserved	Created by FINKEV	Inspected by BERGHORN	Standardisation TIEMANNA	Date 2014-05-16	State Final Release	
Department EL PD - DE		Title Han 16M-gs-M40				Doc-Key / ECM-Nr. 100222092/UGD/002/C 500000074.836		
HARTING Electric GmbH & Co. KG D-32339 Espelkamp			Type TB	Number 19 37 016 0528			Rev. C	Page 1/1