

THIS DRAWING IS UNPUBLISHED. RELEASED FOR PUBLICATION
 © COPYRIGHT - By - ALL RIGHTS RESERVED.

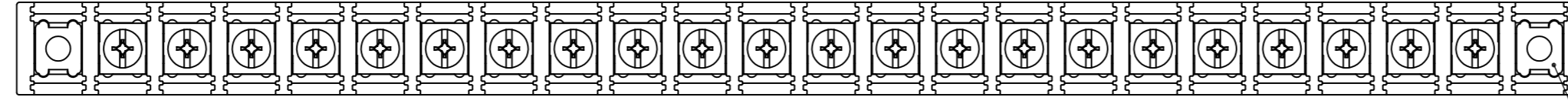
LOC		DIST		REVISIONS			
P	LTR	DESCRIPTION	DATE	DWN	APVD		
FT	0						
B		REVISED PER ECO-11-023039	20FEB12	KH	MS		

NOTES:

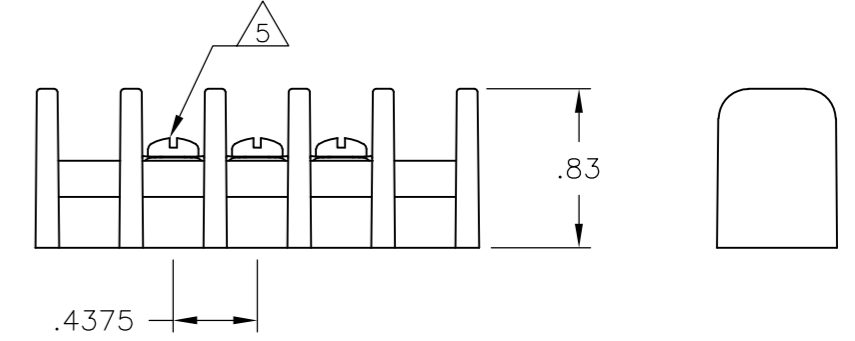
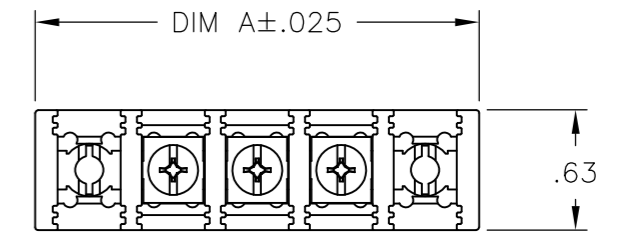
MATERIAL:
 HOUSING: THERMOPLASTIC, UL94V-2, BLACK.
 TERMINAL: BRASS, BRIGHT TIN PLATED.
 SCREWS: 6-32, STEEL, ZINC PLATED W/ CLEAR CHROMATE, UNLESS OTHERWISE SPECIFIED.

ELECTRICAL:
 MAXIMUM CURRENT: 20A.
 OPERATING VOLTAGE: 600V.
 WIRE RANGE: 12-22 AWG.

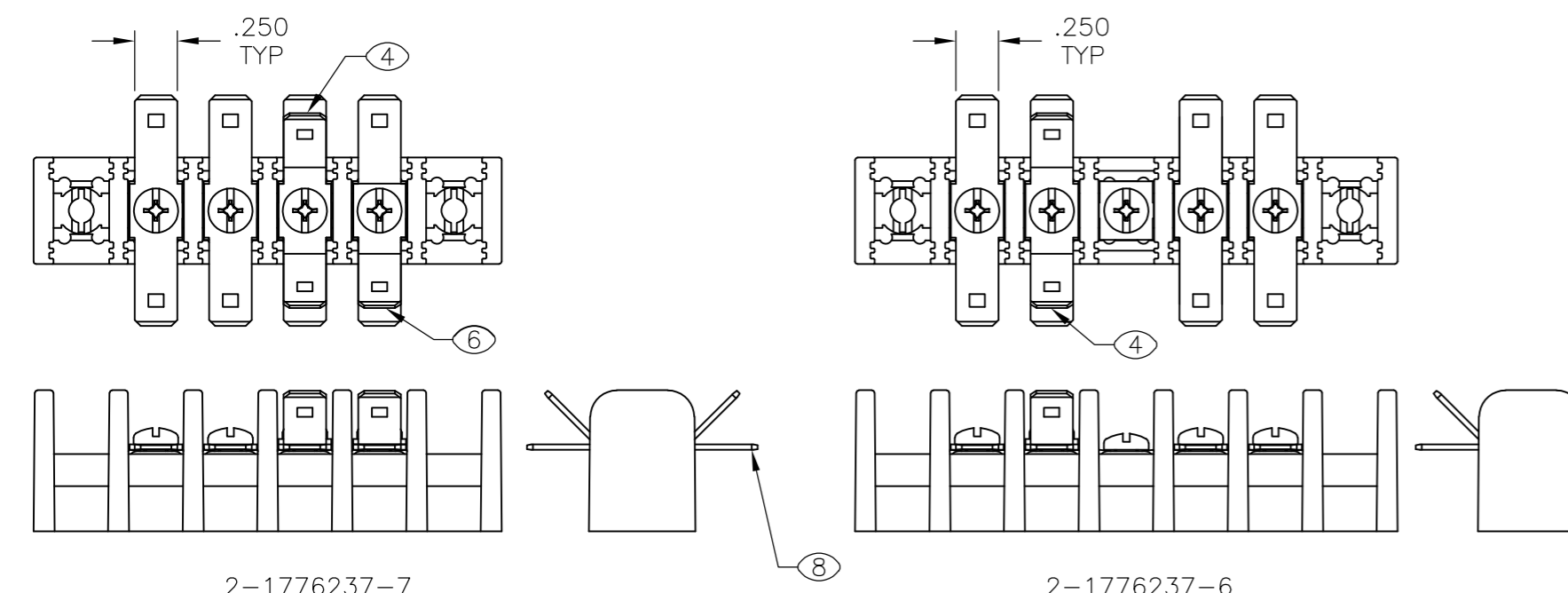
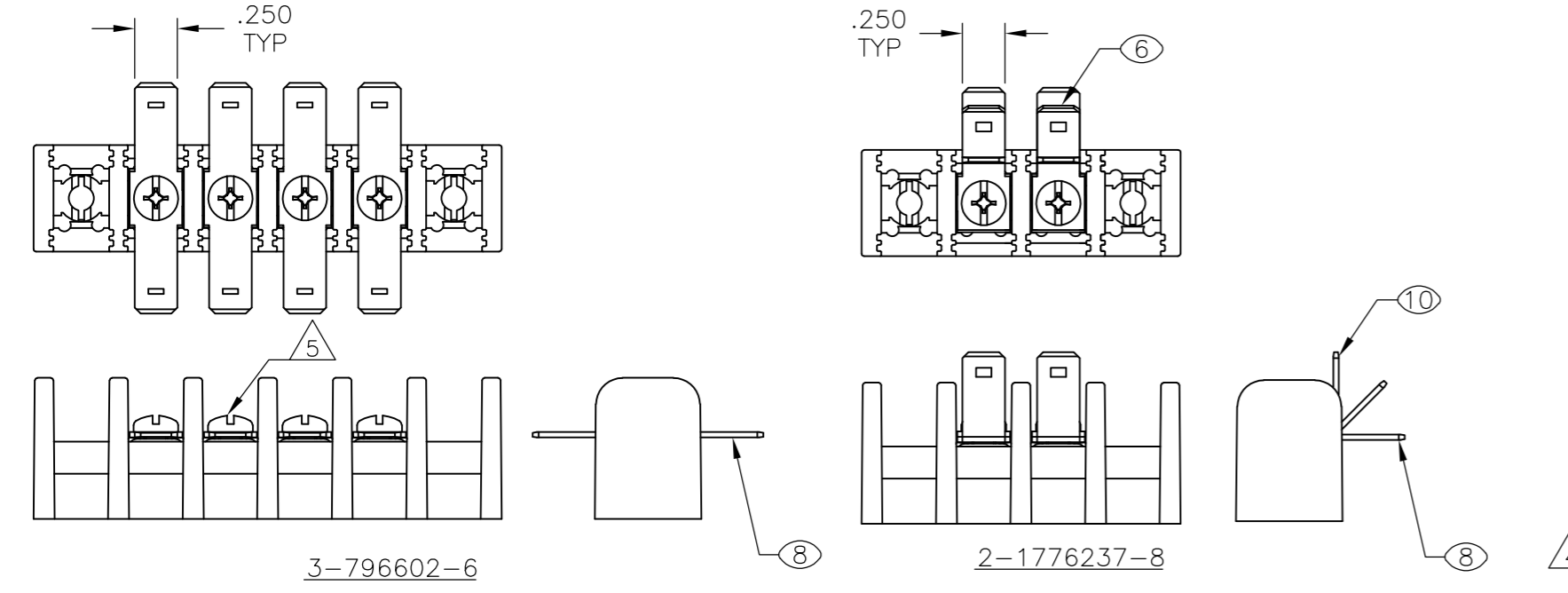
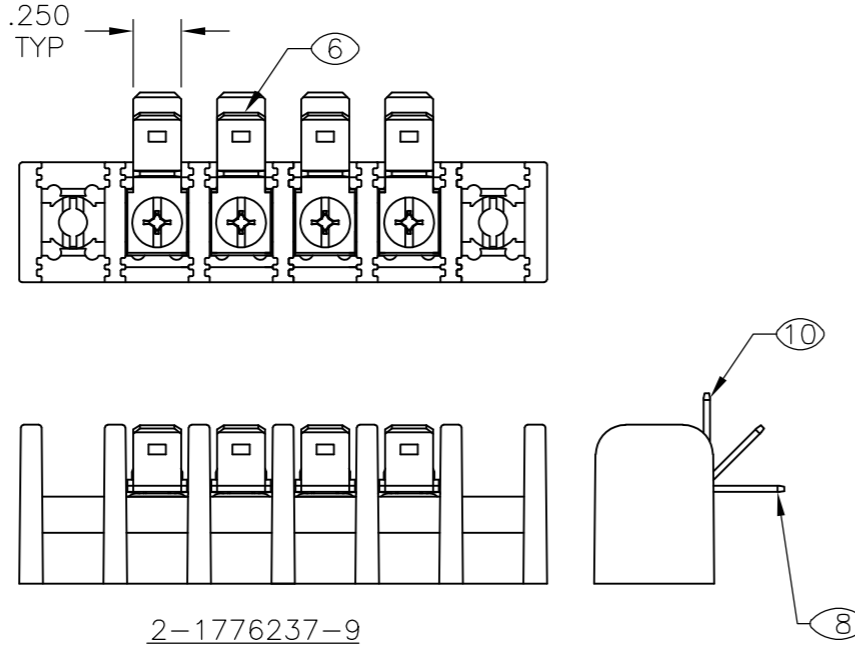
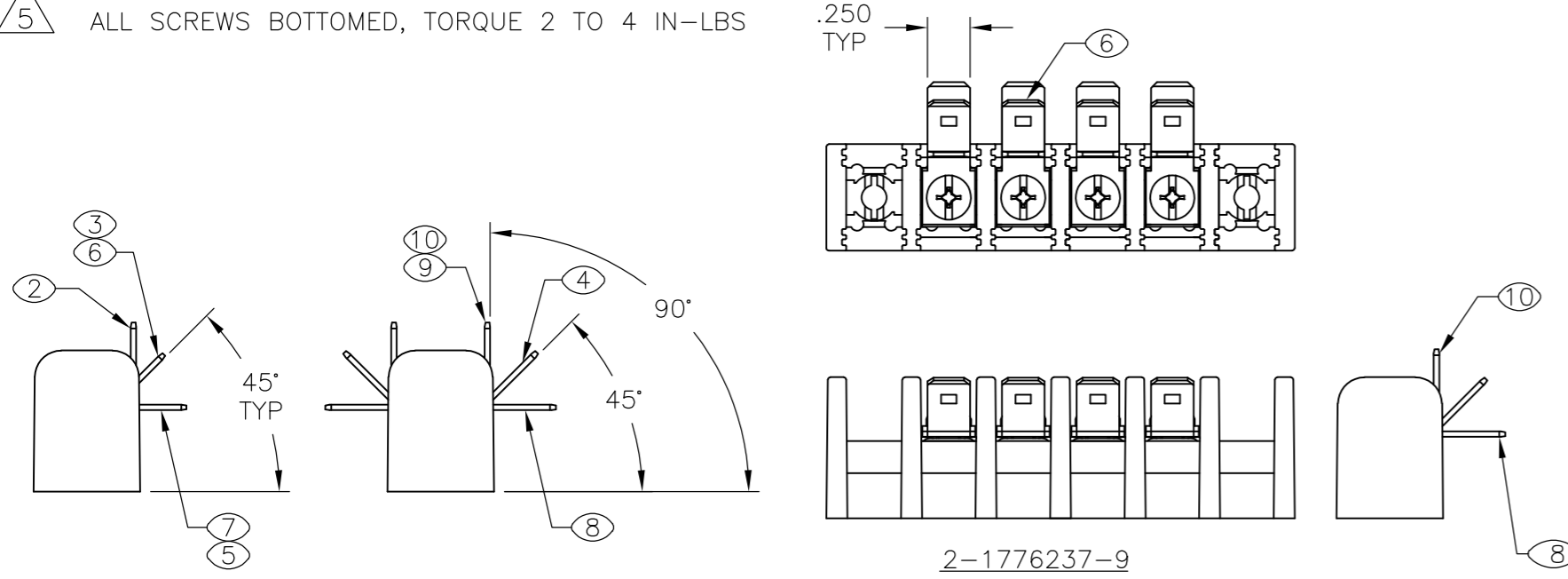
ENVIRONMENT:
 OPERATING TEMP.: -60°C TO 105°C.



1546561-5



- ① SEE FIGURE.
- ② 2 USES STAINLESS STEEL SCREWS.
- ③ PRELIMINARY PART NUMBER.
- ④ OBSOLETE PARTS: OBSOLETE CIS STREAMLINING PER D.RENAUD/D.SINISI
- ⑤ ALL SCREWS BOTTOMED, TORQUE 2 TO 4 IN-LBS



DIM A	250 QC TAB 90° BEND SGL SIDED	250 QC TAB 90° BEND DBL SIDED	250 QC TAB STRAIGHT DBL SIDED	250 QC TAB STRAIGHT SGL SIDED	250 QC TAB 45° BEND SGL SIDED	187 QC TAB STRAIGHT SGL SIDED	250 QC TAB 45° BEND DBL SIDED	187 QC TAB 45° BEND SGL SIDED	187 QC TAB 90° BEND SGL SIDED	SSB7 BUSHING	NO. OF POS.	CATALOG NUMBER	PART NUMBER
11.937	-	-	-	-	-	-	-	-	-	NO	25	SSB7CM250301	2-1776237-5
11.500	-	-	-	-	-	-	-	-	-	NO	24	SSB7CM240301	2-1776237-4
11.062	-	-	-	-	-	-	-	-	-	NO	23	SSB7CM230301	2-1776237-3
10.625	-	-	-	-	-	-	-	-	-	YES	22	SSB7CE220303	①② 4546561-5
10.625	-	-	-	-	-	-	-	-	-	NO	22	SSB7CM220301	2-1776237-2
10.187	-	-	-	-	-	-	-	-	-	NO	21	SSB7CM210301	2-1776237-1
9.750	-	-	-	-	-	-	-	-	-	NO	20	SSB7CM200301	2-1776237-0
9.312	-	-	-	-	-	-	-	-	-	NO	19	SSB7CM190301	1-1776237-9
8.875	-	-	-	-	-	-	-	-	-	NO	18	SSB7CM180301	1-1776237-8
8.437	-	-	-	-	-	-	-	-	-	NO	17	SSB7CM170301	1-1776237-7
8.000	-	-	-	-	-	-	-	-	-	NO	16	SSB7CM160301	1-1776237-6
7.562	-	-	-	-	-	-	-	-	-	NO	15	SSB7CM150301	1-1776237-5
7.125	-	-	-	-	-	-	-	-	-	NO	14	SSB7CM140301	1-1776237-4
6.687	-	-	-	-	-	-	-	-	-	NO	13	SSB7CM130301	1-1776237-3
6.250	-	-	-	-	-	-	-	-	-	NO	12	SSB7CM120301	1-1776237-2
5.812	-	-	-	-	-	-	-	-	-	NO	11	SSB7CM110301	1-1776237-1
5.375	-	-	-	-	-	-	-	-	-	NO	10	SSB7CM100301	1-1776237-0
4.937	-	-	-	-	-	-	-	-	-	NO	9	SSB7CM090301	1-1776237-9
4.500	-	-	-	-	-	-	-	-	-	NO	8	SSB7CM080301	1-1776237-8
4.062	-	-	-	-	-	-	-	-	-	NO	7	SSB7CM070301	1-1776237-7
3.625	-	-	-	-	-	-	-	-	-	NO	6	SSB7CM060301	1-1776237-6
3.187	-	-	4	-	-	-	1	-	-	NO	5	SSB7N2026	③①② 1-1776237-6
OBSOLETE ④ 3.187	-	-	-	-	-	-	-	-	-	NO	5	SSB7CM050301	1-1776237-5
2.750	-	-	4	-	1	-	1	-	-	NO	4	SSB7N2027	③①② 1-1776237-7
2.750	-	-	4	-	-	-	-	-	-	NO	4	SSB7CM040320	①③ 3-796602-6
OBSOLETE ④ 2.750	-	-	-	-	-	-	-	-	-	NO	4	SSB7CM040301	1-1776237-4
③ 2.750	4	-	-	4	4	-	-	-	-	NO	2	SSB7CM04030131	2-1776237-9
OBSOLETE ③ 2.312	-	-	-	-	-	-	-	-	-	NO	3	SSB7CM030301	1-1776237-3
③ 1.875	2	-	-	2	2	-	-	-	-	NO	2	SSB7CM02030131	2-1776237-8
④ 1.875	-	-	-	-	-	-	-	-	-	NO	2	SSB7CM020301	1-1776237-2
1.437	-	-	-	-	-	-	-	-	-	NO	1	SSB7CM010301	1-1776237-1

THIS DRAWING IS A CONTROLLED DOCUMENT.

DIMENSIONS: INCHES

TOLERANCES UNLESS OTHERWISE SPECIFIED:

0 PLC	±	-
1 PLC	±	-
2 PLC	±	.02
3 PLC	±	.010
4 PLC	±	-
ANGLES	±	1°

MATERIAL: - FINISH: -

APPROVALS:

DWN	S SCHLGE	9/23/04
CHK	S YODER	9/23/04
APVD	S YODER	9/23/04

TE Connectivity

SSB7CMXX0301

SIZE: A2 CAGE CODE: 00779 DRAWING NO: 3-796602-6

SCALE: NTS SHEET: 1 of 1