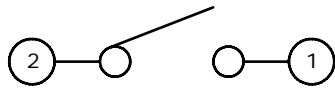
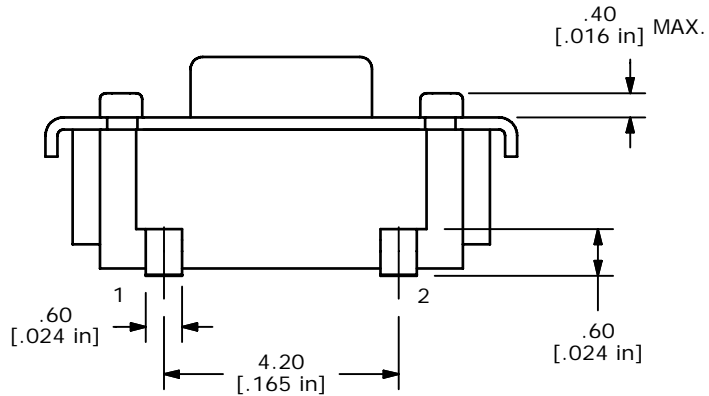
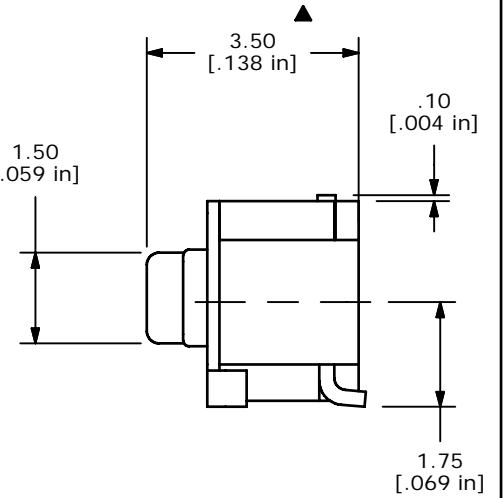
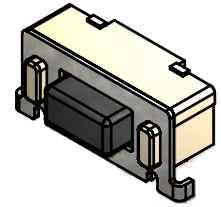
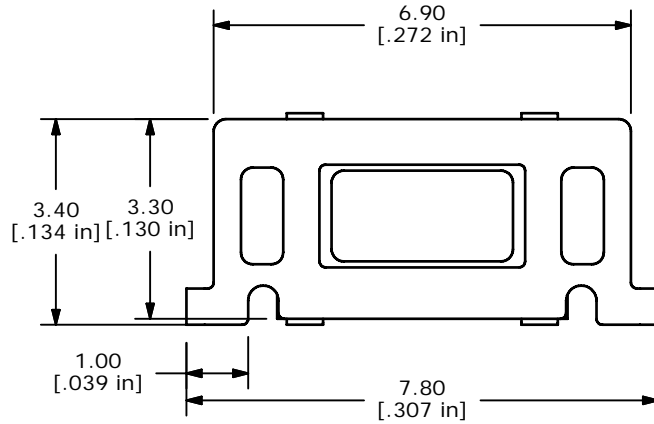
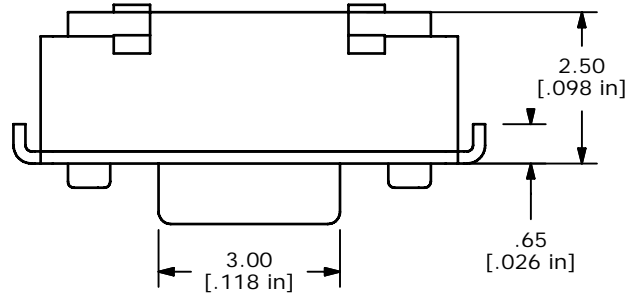


P.C.B. LAYOUT



CIRCUIT: DIAGRAM



NOTES:

1. ALL DIMENSIONS IN MM
2. GENERAL TOLERANCE: X.X=±0.4
X.XX=±0.25
3. TERM. NOS. FOR REFERENCE ONLY.
4. RATING: 12VDC, 50mA
- ▲ 5. OPERATING FORCE: 260±50gf
6. TRAVEL: 0.25mm ±0.15
7. CONTACT RESISTANCE: 100 MILLI OHMS MAX. (INITIAL)
8. MECHANICAL/ELECTRICAL LIFE: 130g > 50,000 CYCLES
- ▲ 9. SILVER CONTACT
10. PACKAGING: TAPE & REEL; 2300 PIECES PER REEL.
11. ▲ DENOTES CRITICAL PARAMETER

E-SWITCH®

TITLE TL3330AF260QG

A	16309	NEW RELEASE	8/14/06	RC
REV	PCR NO	DESCRIPTION	DATE	BY

THE INFORMATION CONTAINED IN THIS DOCUMENT IS PROPRIETARY TO E-SWITCH AND IS NOT TO BE COPIED OR TRANSFERRED

SCALE	DATE	DR	DWG	REV
8=1	6/14/2006	RC	P010951	A