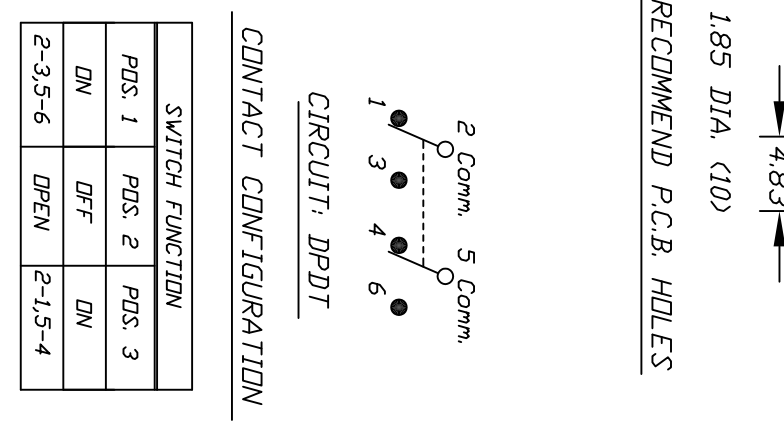
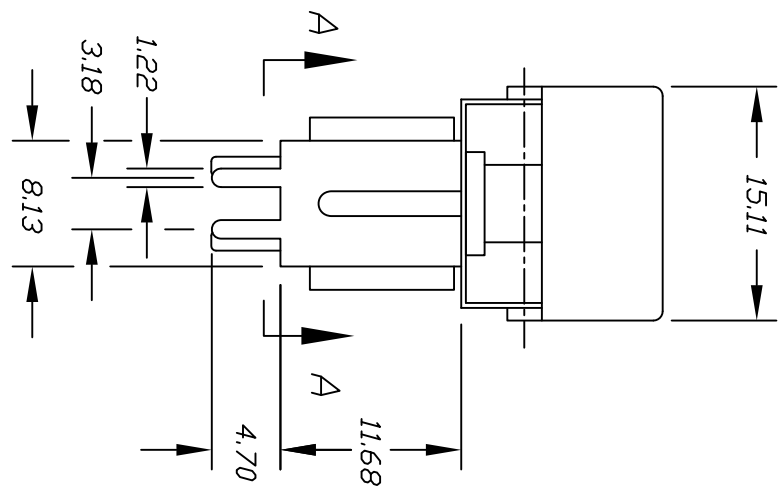
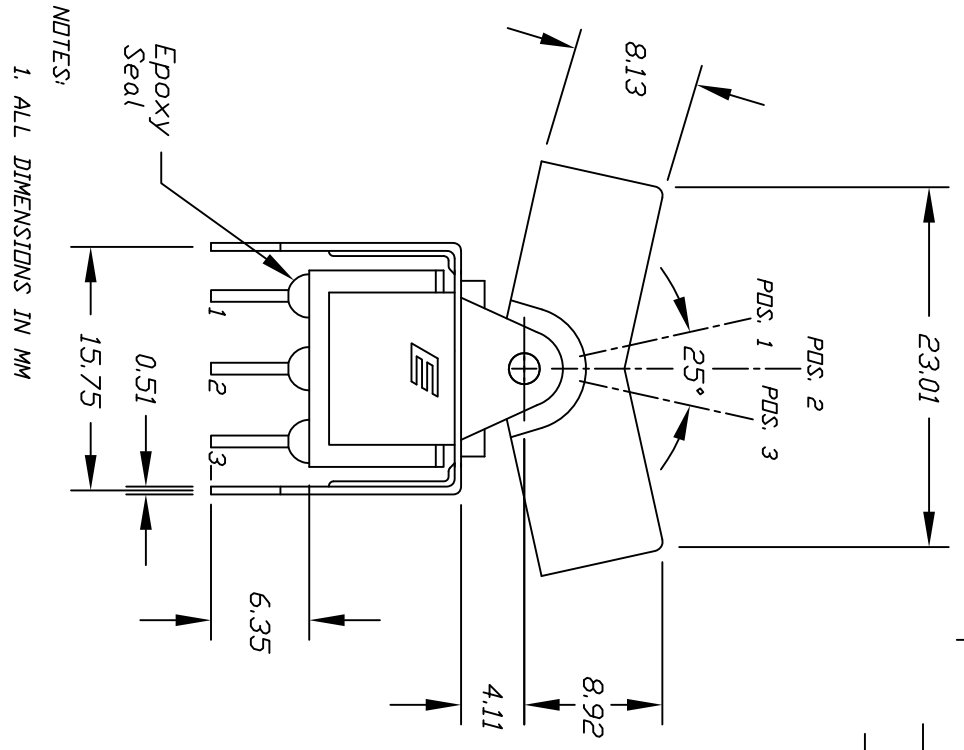
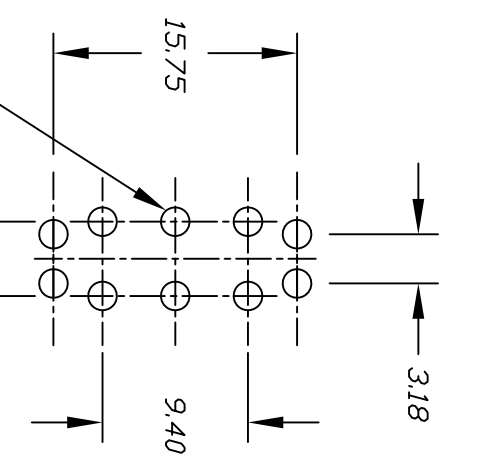


NOTE:
CONTACTS & BRACKET
CROPPED FOR CLARITY



RECOMMEND P.C.B. HOLES

| | | | | | | | | | | | | | |
|--------|--|-------------------------|--|---------------|--|-------|--|---------------|--|---------------|--|---------------------------|--|
| REV. B | | T323000 | | DVG | | DR MM | | DATE 12/26/96 | | SCALE 2:1 | | TITLE 300 DP-3 J3 VS2 Q E | |
| REV. A | | RELEASED FOR PRODUCTION | | DATE 12/26/96 | | BK MM | | 7/26/06 | | CHANGE NOTE 3 | | 16258 | |
| REV. B | | 16258 | | 7/26/06 | | BK | | 7/26/06 | | 12/26/96 | | 16258 | |

NOTES:

1. ALL DIMENSIONS IN MM
2. TERM. NDS. FOR REF ONLY
3. RATING: 5 Amps @120VAC or 28VDC
2 Amps @250VAC

TOLERANCES

| | |
|-------|------|
| ±0.4 | 0.0 |
| ±0.25 | 0.00 |

THE INFORMATION CONTAINED IN THIS DOCUMENT IS PROPRIETARY TO E-SWITCH AND IS NOT TO BE COPIED OR TRANSFERRED

