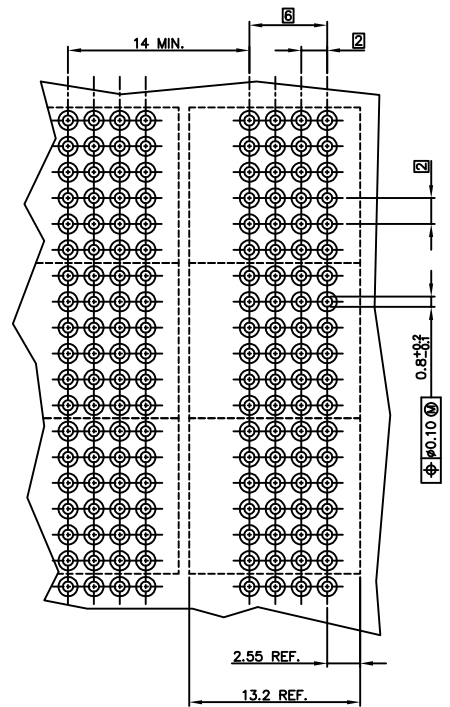
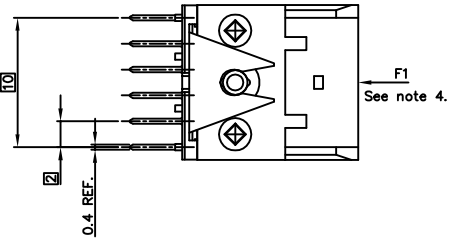
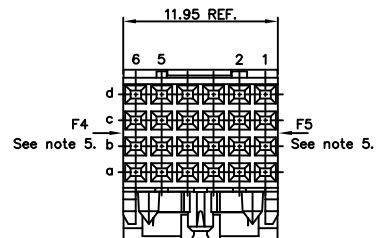
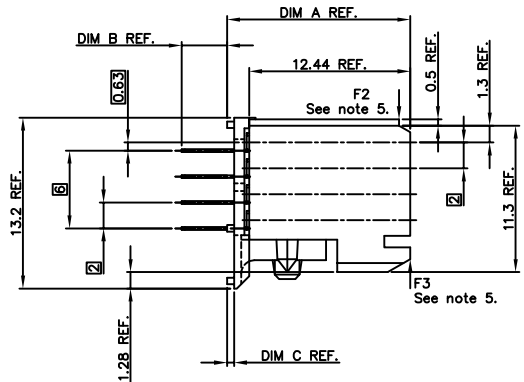
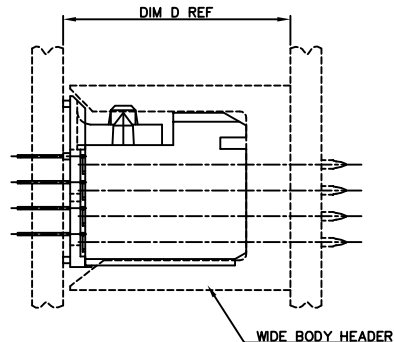


PRODUCT NR.  
85922-XYZ  
85922-XYZLF

PLATING CONTACT AREA:	
DASH NR:	PERFORMANCE LEVEL
-1YY/1YYLF	TELCORDIA CO
-2YY/2YYLF	CUSTOMER SPECIAL
-3YY/3YYLF	CUSTOMER SPECIAL



RECOMMENDED HOLE PATTERN, COMPONENT SIDE.



DASH NR	CONFIGURATION					PCB THICKN.	DIM A	DIM B	DIM C	DIM D	
	ROW #	6	5	4	3						2
-X01	D	+	+	+	+	+	2.4	14.14	3.50	0.54	17.64
	C	+	+	+	+	+					
	B	+	+	+	+	+					
-X01LF	A	+	+	+	+	+	3.2	13.60	4.04	0.00	17.10
	D	+	+	+	+	+					
	C	+	+	+	+	+					
-X02	B	+	+	+	+	+	2.4	13.60	3.24	0.00	17.10
	A	+	+	+	+	+					
	D	+	+	+	+	+					
-X03	C	+	+	+	+	+	1.6	13.60	2.39	0.00	17.10
	B	+	+	+	+	+					
	A	+	+	+	+	+					
-X04	D	+	+	+	+	+	1.6	14.14	2.70	0.54	17.64
	C	+	+	+	+	+					
	B	+	+	+	+	+					
-X05	A	+	+	+	+	+	1.6	14.64	3.00	0.54	18.14
	D	+	+	+	+	+					
	C	+	+	+	+	+					
-X06	B	+	+	+	+	+	1.6	15.14	2.50	0.54	18.64
	A	+	+	+	+	+					
	D	+	+	+	+	+					
-X07	C	+	+	+	+	+	2.4	14.14	3.50	0.54	17.64
	B	+	+	+	+	+					
	A	+	+	+	+	+					
-X20	D	+	+	+	+	-	2.4	14.14	3.50	0.54	17.64
	C	+	+	+	+	-					
	B	+	+	+	+	-					
-X20LF	A	+	+	+	+	+					
	D	+	+	+	+	+					
	C	+	+	+	+	+					

"-" POSITION NOT LOADED  
"+" POSITION LOADED

NOTES:

- BODY MAT'L: LIQUID CRYSTAL POLYMER 30% GLASS  
FLAME RETARDANT ACC. UL 94-V0
- TERMINAL MATERIAL: PHOSPHOR BRONZE.
- PLATING SOLDER TAILS 2-8 μm SnPb 90-97 OR 2-8 μm PURE FOR LF.
- LOAD IN THIS DIRECTION ( E.G. THROUGH CODING) 30 NEWTON MAXIMUM PER CONNECTOR.
- LOAD IN THIS DIRECTION 15 NEWTON MAXIMUM PER CONNECTOR.
- TO ENSURE PROPER ALIGNMENT OF MULTIPLE MODULES ON A BOARD THE USE OF A FIXTURE IS RECOMMENDED.
- PRODUCT MARKING: PARTNUMBER & BATCH I.D.
- THIS PRODUCT MEETS EUROPEAN UNION DIRECTIVES AND OTHER COUNTRY REGULATIONS AS DESCRIBED IN GS-22-008
- THE HOUSING WILL WITHSTAND EXPOSURE TO 260 DEGREE PEAK TEMPERATURE FOR 10 SECONDS IN A WAVE SOLDER APPLICATION.

mat'l. code	tolerances unless otherwise specified	CUSTOMER COPY	FCI ELECTRONICS
lit. desc no & date		projection	www.fciconnect.com
H 0007-0702/08/22/07 Linear		STR SIGN RCP	
J 0008-0711 TER 0/10/08		STB + WAFER 12mm	
K 0009-0808/08/20/09/09		product family	
SP 1 M. MEYER 080313		size/dwg no	213
E 1170302 LDC 070804/08/01 M. MEYER 080313		scale	1:1
F 1180380 PHE 080810/08/01 P. SCHALK 080313		sheet	1 of 1
G 1200-0074 GLL 080411/08/01 P. SCHALK 080313		index	
sheet revision K			
index sheet 1			