

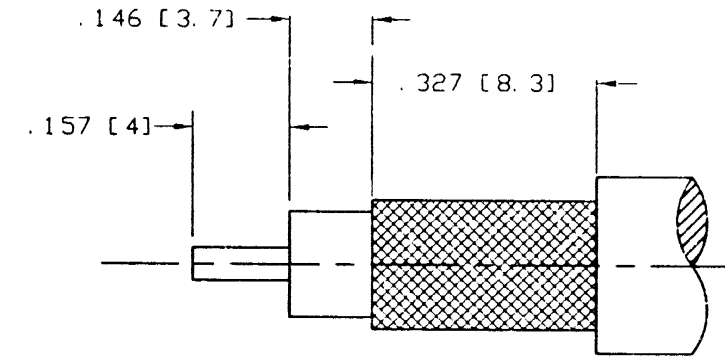
NOTES:

1. MATERIALS OF CONSTRUCTION:

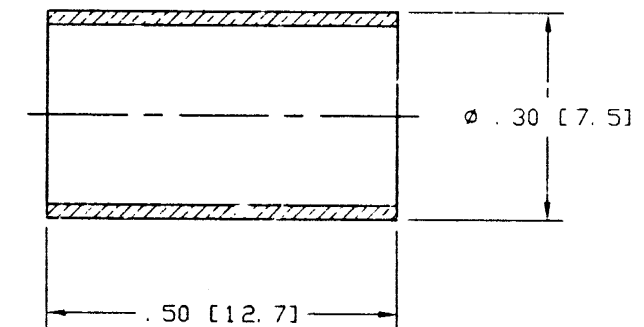
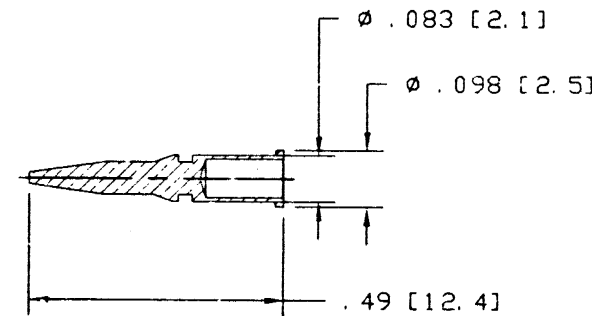
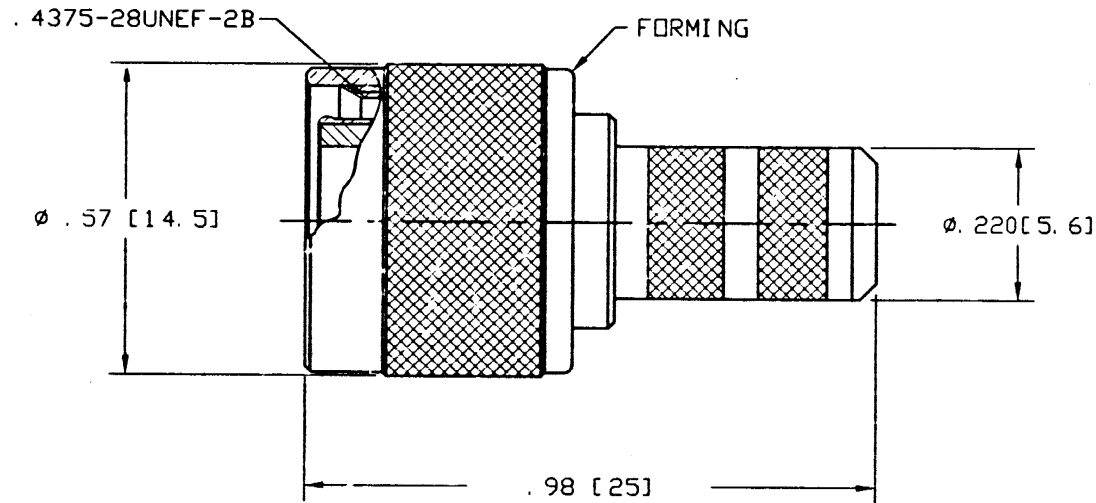
SHELL, RETAINER RING, BODY: BRASS PER QQ-B-626, NICKEL PLATED.
 FERRULE: COPPER, NICKEL PLATED.
 CONTACT PIN: BRASS PER QQ-B-626, GOLD PLATED.
 WASHER: BRASS PER QQ-B-613, NICKEL PLATED.
 RING: DELRIN, NATURAL.
 GASKET: RUBBER, RED.
 INSULATOR: TEFLON MIL-P-19468, NATURAL.

2. DO NOT SCALE THIS DRAWING.

| 31-6000-RFX | | REVISIONS | | | |
|-------------------|-----|-----------------|----------|-------|-----|
| DRAWING NO | REV | DESCRIPTION | DATE | ECO | APP |
| THIRD ANGLE PROJ. | A | RELEASE TO MFG. | 7/28/98 | 42549 | T/V |
| | B | SEE SHEET 1 | 12/17/98 | 42779 | CPM |
| | C | SEE SHEET 1 | 3/13/99 | 42889 | CPM |



RECOMMENDED
CABLE STRIPPING DIM'S



CUSTOMER OUTLINE DRAWING

ENGLISH [METRIC]

| | | | | | | |
|---|----------------------------|---|---|---|---|------------------------------|
| UNLESS OTHERWISE SPECIFIED, DIMENSIONS ARE IN INCHES AND TOLERANCES ARE: 2 PLACE DECIMAL ± .015 (0.381 mm) 3 PLACE DECIMAL ± .005 (0.127 mm) ANGLES ± 1° | MATERIAL | DRAWN T. VERHOEVEN DATE 6/23/98 | TITLE | Amphenol Amphenol Corporation RF/Microwave Operations Danbury, Conn. U.S.A. 06811 | | |
| | REFERENCE EAR# 967004-0 | ENGINEER T. AUBIN DATE 7/22/98 | APPROVED T. AUBIN DATE 7/22/98 | | TNC CRIMP PLUG (FOR BELDEN RG-8/X, TIMES LMR-240MA) | |
| NOTICE - These drawings, specifications, or other data (1) are, and remain the property of Amphenol Corp. (2) must be returned upon request; and (3) are confidential and not to be disclosed to any person other than those to whom they are given by Amphenol Corp. The furnishing of these drawings, specifications, or other data by Amphenol Corp., or to any other person in any manner (licensing, granting rights, permitting such holder or any other person to manufacture, use or sell any product, process or design, patented or otherwise, that may in any way be related or disclosed by said drawings, specifications, or other data. | | CAD FILE H:\DEPT611\BNC\031\ASSY\6000\RFXSH2 | CODE ID 74868 | DWG SIZE B | DRAWING NO 31-6000-RFX | SCALE 1:1 SHEET 2 OF 2 |