

PCB LAYOUT - COMPONENT VIEW

TECHNICAL CHARACTERISTICS

MATERIAL  
 INSULATOR MATERIAL: PBT  
 FLAMMABILITY RATING: UL94-V0  
 COLOR: BLACK  
 CONTACT MATERIAL: COPPER ALLOY  
 CONTACT TYPE: STAMPED  
 CONTACT PLATING: SELECTIVE GOLD  
 QUALITY CLASS: 500 MATING CYCLES

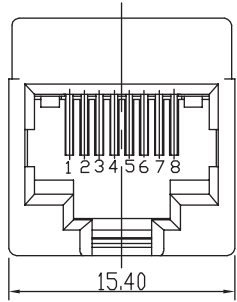
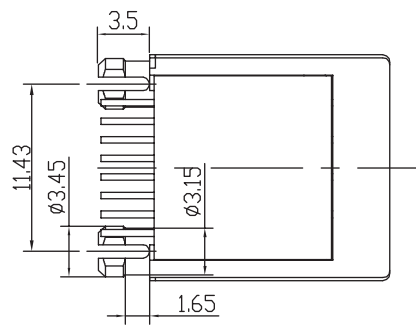
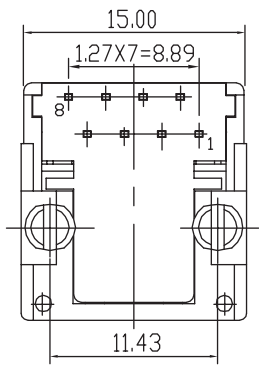
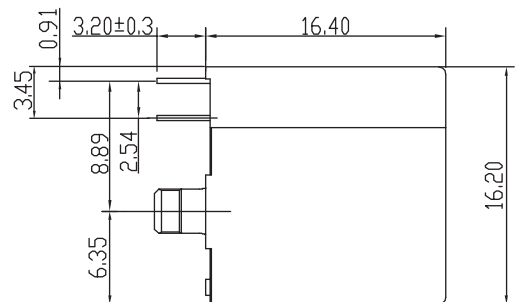
ENVIRONMENTAL  
 OPERATING TEMPERATURE: -25 °C UP TO 85 °C  
 COMPLIANCE: LEAD FREE AND ROHS

ELECTRICAL  
 CURRENT RATING: 1.5 A  
 WORKING VOLTAGE: 120 VAC  
 INSULATION RESISTANCE: >500 MΩ  
 DIELECTRIC WITHSTANDING VOLTAGE: 1 000 VAC/MIN  
 CONTACT RESISTANCE: 20 mΩ MAX

STANDARD  
 CERTIFIED: E324776

SOLDERING  
 JEDEC LEAD FREE WAVE SOLDERING PROCESS

PACKAGING  
 TRAY



RoHS Compliant			
H	03-JAN-14	TPK DWG ADD	QL
REV	DATE	FILE	BY

PROJECTION:	
APPROVAL: RJ	

GENERAL TOLERANCE
.X = +/- 0.2
.XX = +/- 0.15
UNIT: MM
SCALE:
SHEET: 1/1
DRAW:

DESCRIPTION: VERTICAL PLASTIC 8P8C MODULAR JACK	SIZE
WERI PART NO: 615 008 138 021	<b>A4</b>

A

B

C

D

1

2

3

4

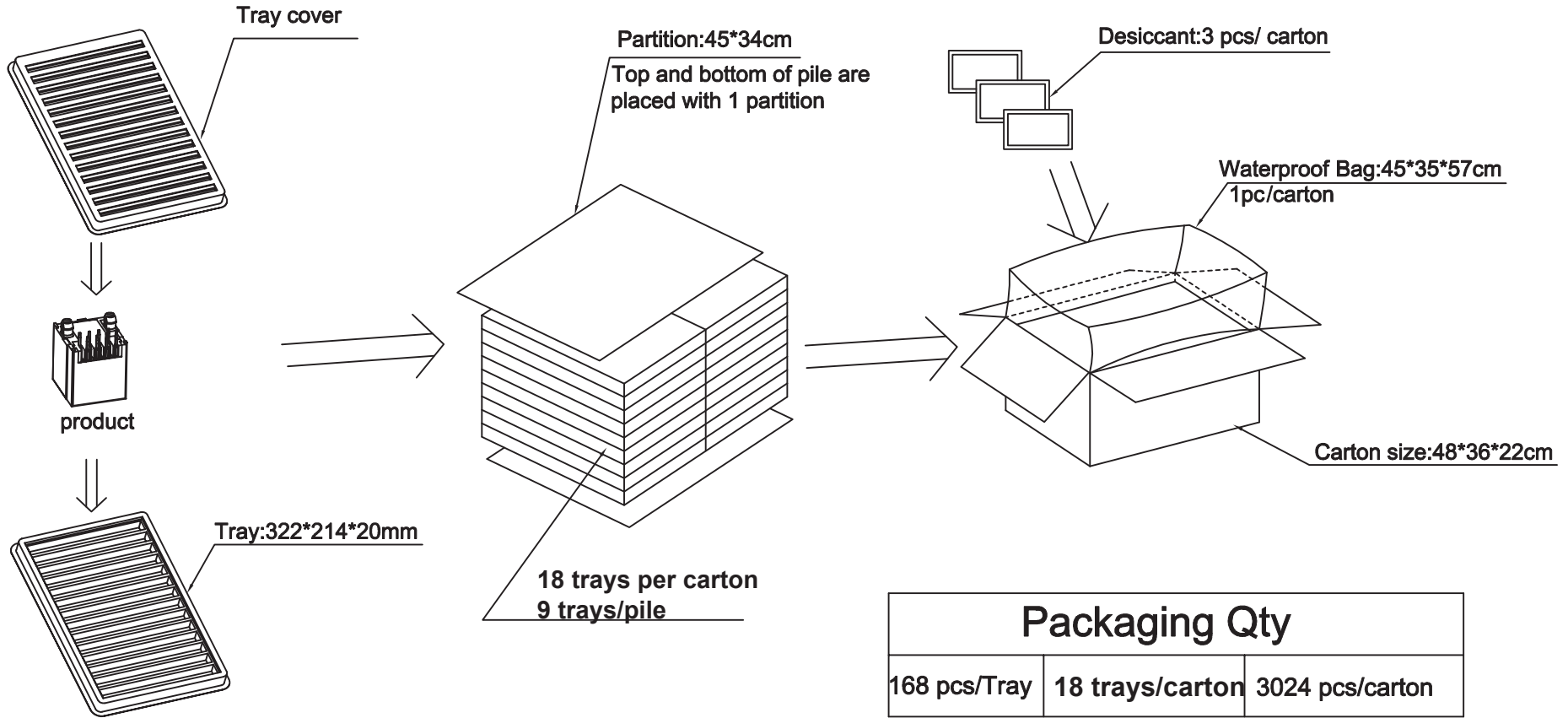
5

A

B

C

D



RoHS Compliant				PROJECTION: 	GENERAL TOLERANCE .X = +/- 0.2 .XX = +/- 0.15	 <b>WÜRTH ELEKTRONIK</b>
G						
F				APPROVAL: RJ	UNIT: MM	DESCRIPTION: VERTICAL PLASTIC 8P8C MODULAR JACK
E					SCALE:	
D					SHEET: 1/1	WERI PART NO: 615 008 138 021
C					DRAW:	
B						SIZE <b>A4</b>
A						
REV	DATE	FILE	BY			