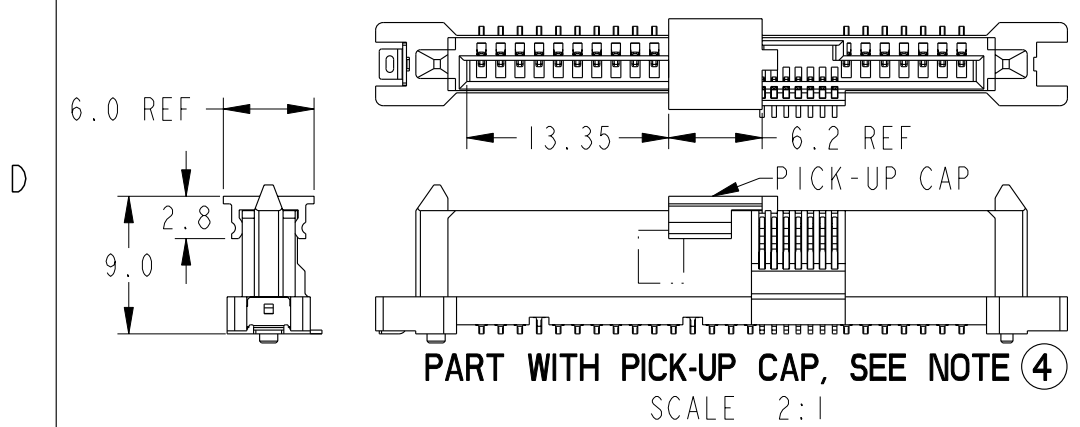
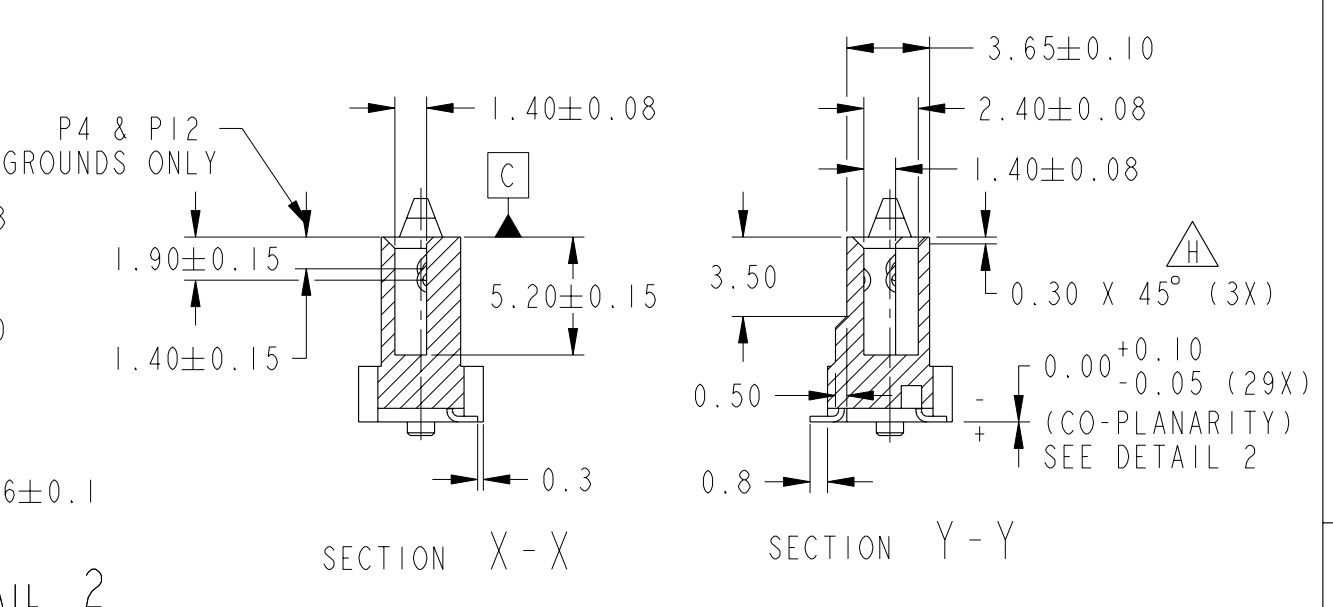
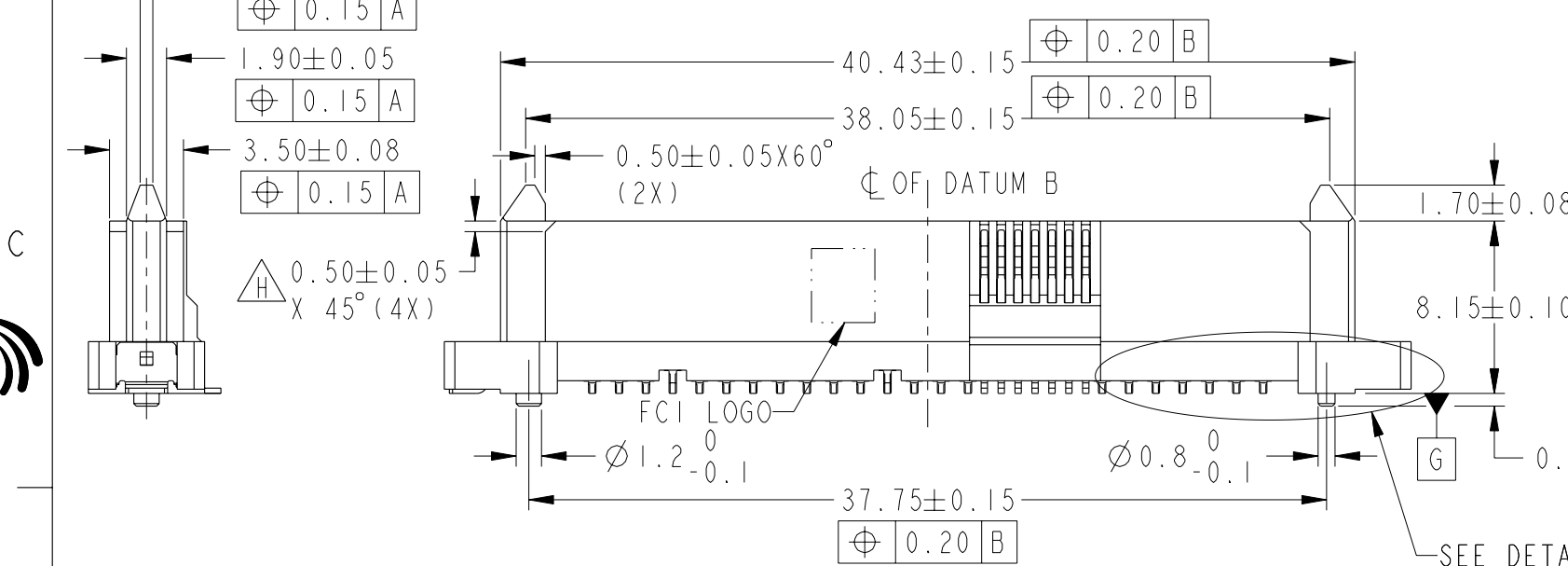
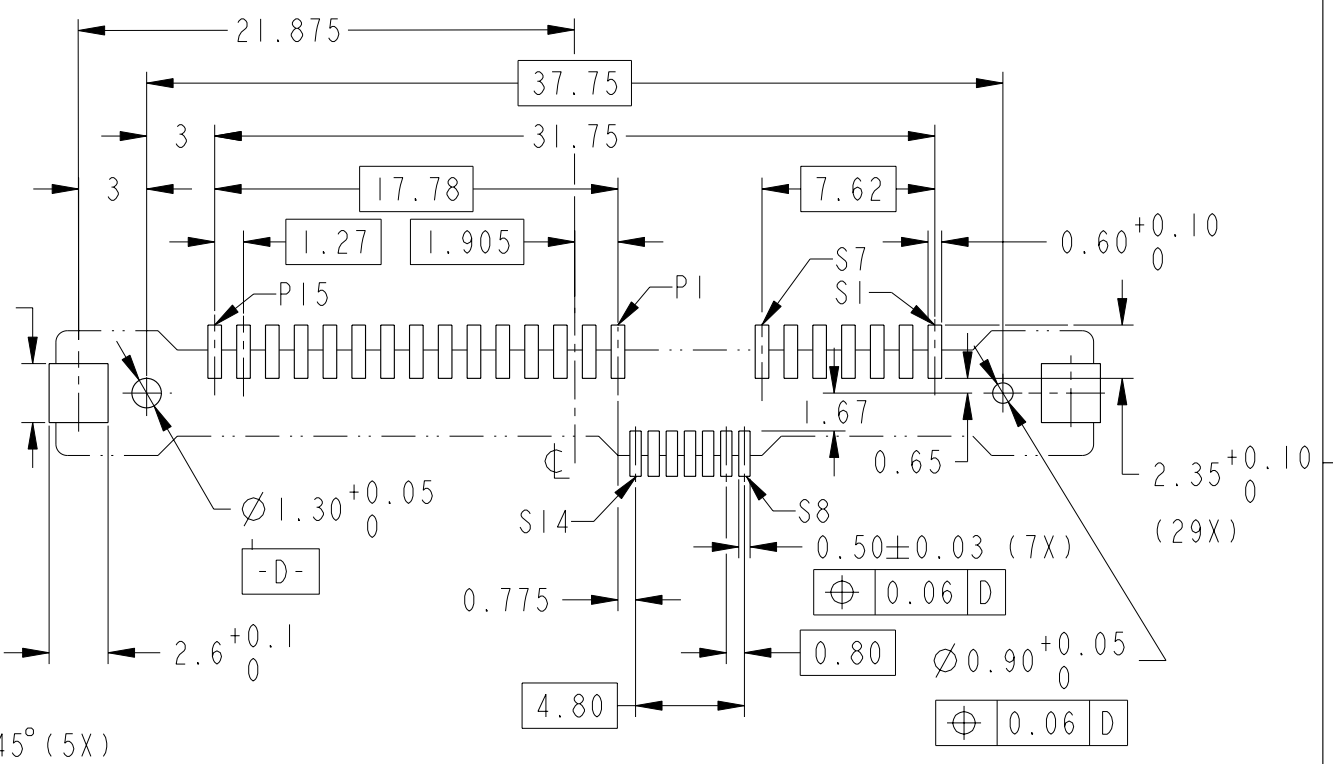
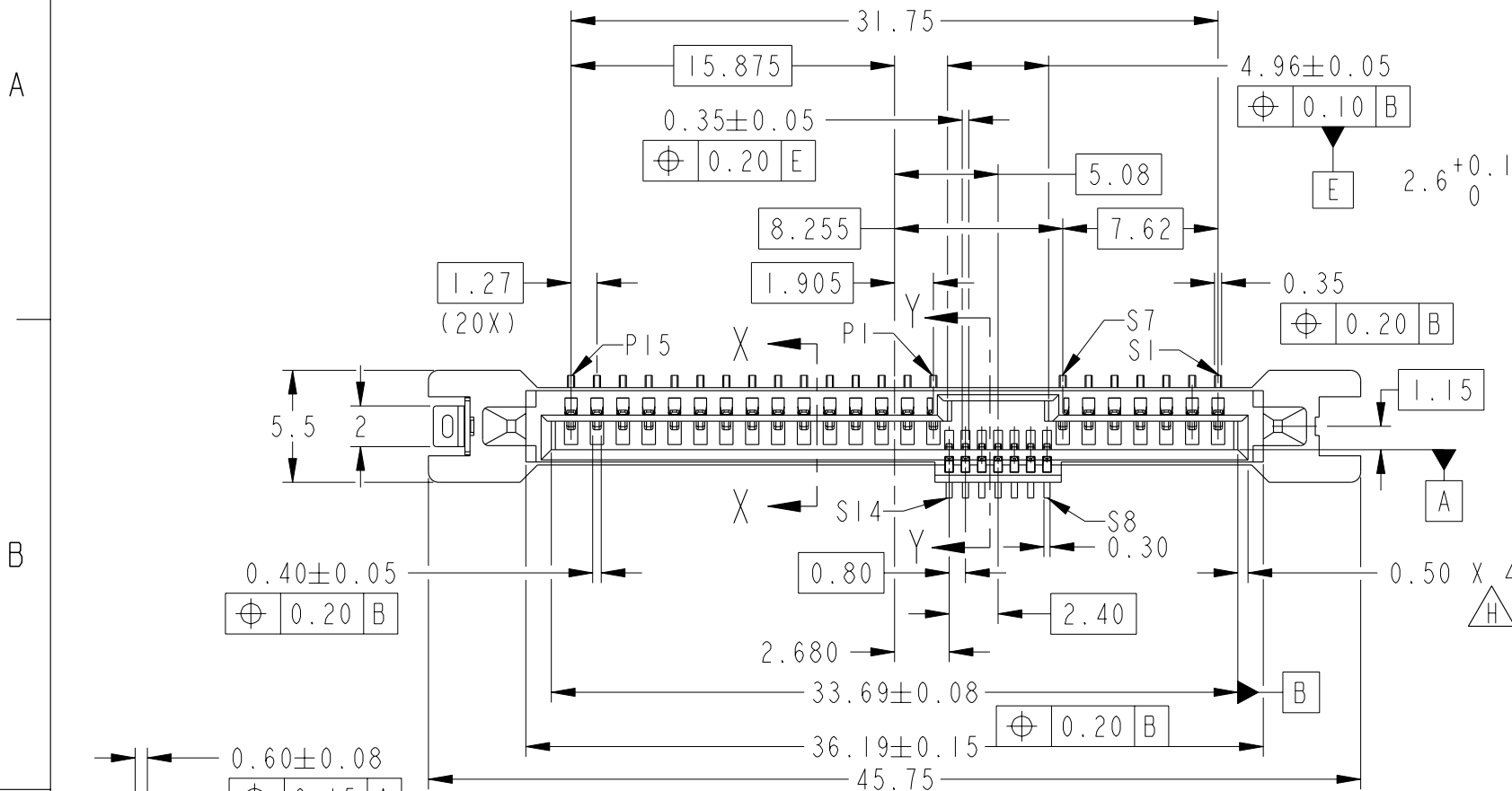


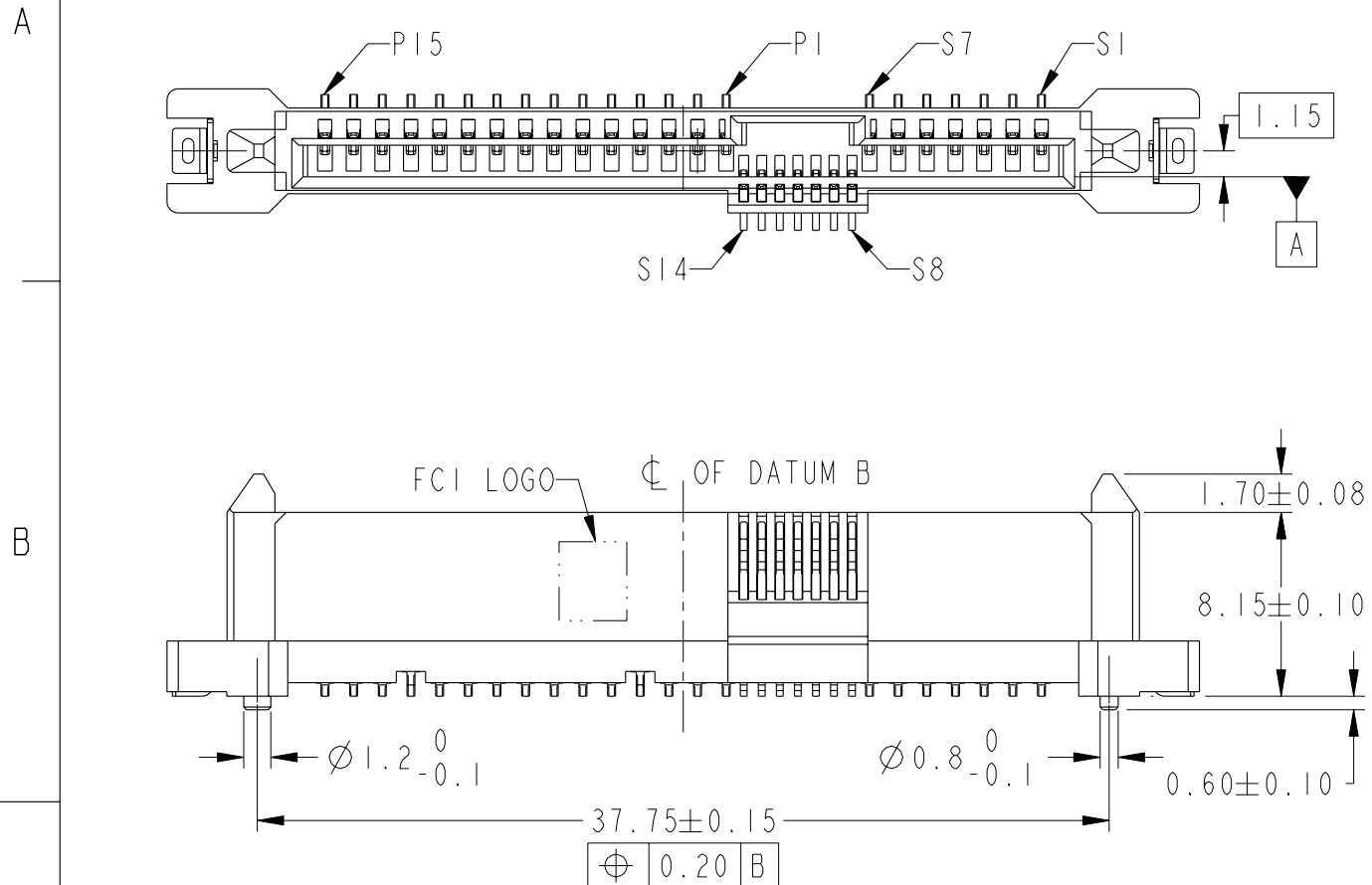
PRODUCT NO	METAL CLIP	REMARKS
10036355-001LF	1 PC	NOTE (8) & (9)
10036355-001CLF		NOTE (4) (8) & (9)
10036355-001C-TRLF		NOTE (4) (6) (8) & (9)



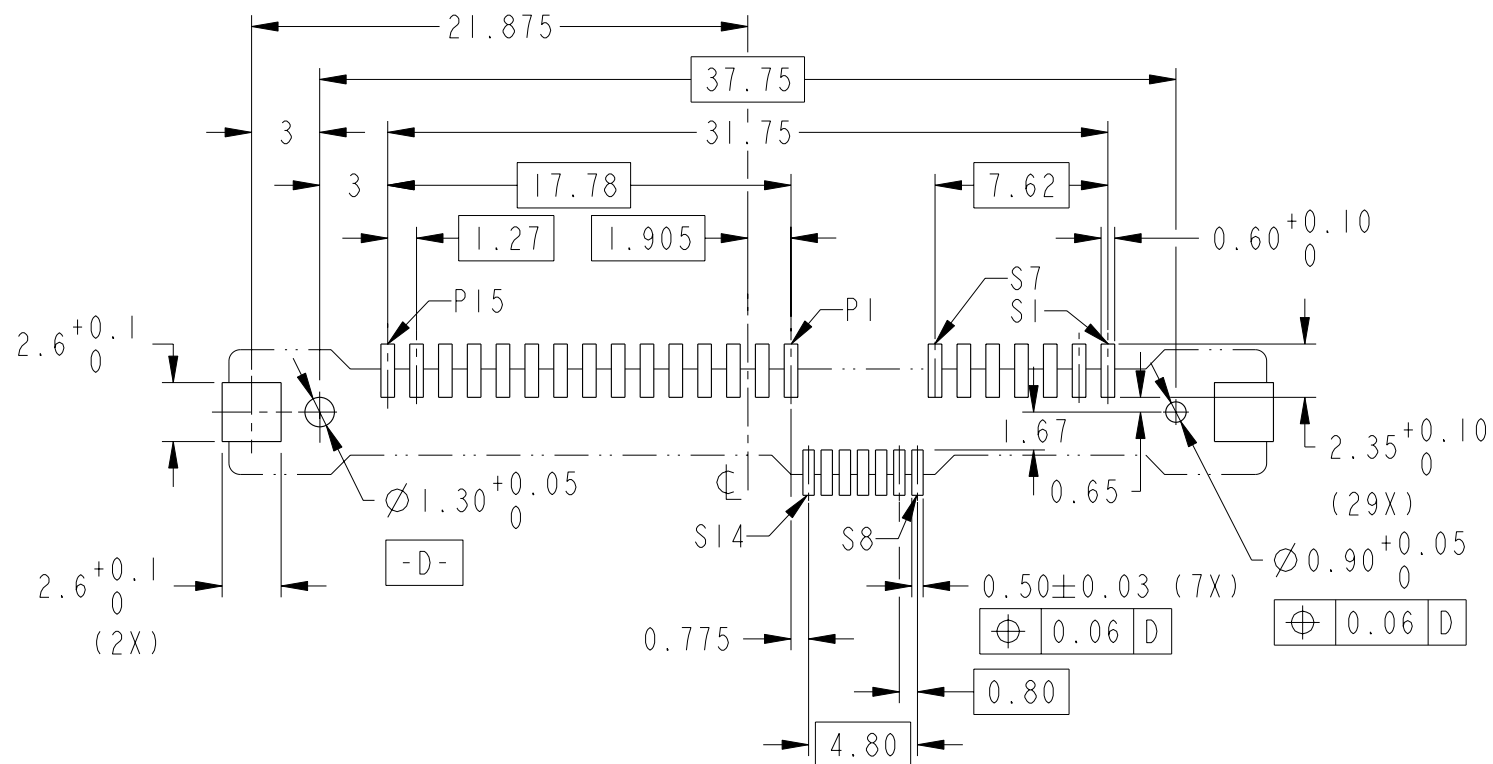
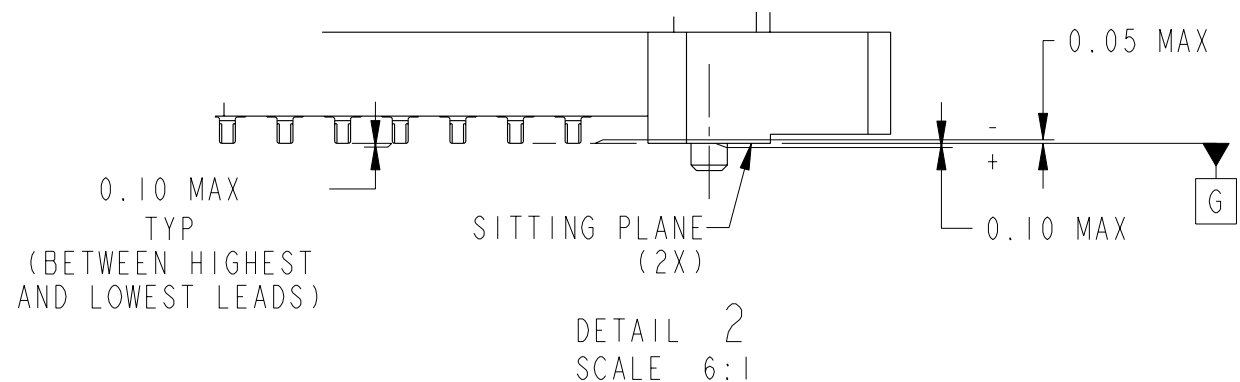
spec ref	-	dr	GL LOO	2004-04-20	projection	MM	size	A3	scale	3:1	
tolerance std	ISO 406 ISO 1101	eng	GL LOO	2004-04-20			ecn no	S10-0228		rel level	-
	TOLERANCES UNLESS OTHERWISE SPECIFIED	chr	GL LOO	2010-10-28			product family	SAS			
surface	ISO 1302	appr	JOEY NG	2010-10-28	SAS RECEPTACLE VERTICAL SMT TYPE ASSY		dwg no	10036355	rev		H
	linear				cat. no.	-	Product - Customer Drw	sheet 1 of 3			
	angular										

Copyright FCI.

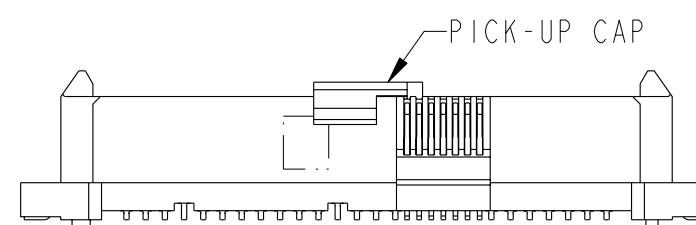
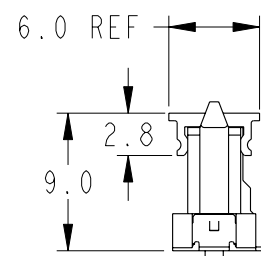
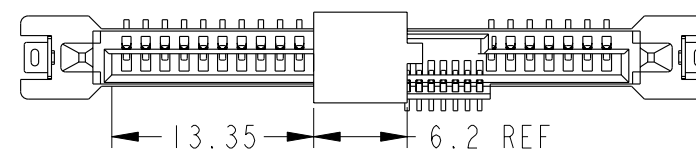
PRODUCT NO	METAL CLIP	REMARKS
10036355-002LF	2 PCS	NOTE ⑧ & ⑨
10036355-002CLF		NOTE ④, ⑧ & ⑨
10036355-002C-TRLF		NOTE ④, ⑥, ⑧ & ⑨



NOTE:  
ALL OTHER DIMENSIONS, REFER TO SHEET 1.



RECOMMENDED PCB LAYOUT



PART WITH PICK-UP CAP; SEE NOTE ④

spec ref	-	dr	GL LOO	2004-04-20	projection	MM	size	A3	scale	3:1
tolerance std	ISO 406 ISO 1101	eng	GL LOO	2004-04-20			ecn no	S10-0228	rel level	-
TOLERANCES UNLESS OTHERWISE SPECIFIED		chr	GL LOO	2010-10-28						
surface	ISO 1302	appr	JOEY NG	2010-10-28			rel level	-		
	linear	0.X	±							
		0.XX	±0.20							
		0.XXX	±							
	angular	0°	±2°							

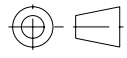
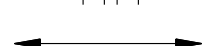


	title	SAS RECEPTACLE	dwg no	10036355	rev	H
	www.fci.com	cat. no.	-	Product - Customer Drw	sheet 2 of 3	

NOTES:

1. MATERIAL :
  - 1) HOUSING : HIGH TEMP THERMOPLASTIC, UL 94V-0, COLOR BLACK
  - 2) TERMINAL : COPPER ALLOY
  - 3) HOLD DOWN : COPPER ALLOY
  
2. FINISH :
  - 1) TERMINAL : 30μ" Au PLATING (CONTACT POINT) OVER 50μ" NICKEL
  - 2) SOLDER TAIL : 100μ" MIN Sn OVER 50μ" NICKEL
  - 3) HOLD DOWN : 100μ" MIN Sn OVER 50μ" NICKEL
  
- ③ PER SFF REV 1.1
- ④ PART WITH PICK-UP CAP, P/N XXXXXXXX-XXXC\_LF.
- ⑤ THE STD PACKAGING IS IN TRAY
- ⑥ FOR TAPE & REEL PACKAGING, SUFFIX "-TR" ADDED  
P/N: XXXXXXXX-XXXC-TR LF
  
7. THE HOUSING WILL WITHSTAND EXPOSURE TO 260°C PEAK TEMPERATURE FOR 10 SECONDS IN A CONVECTION, INFRA-RED OR VAPOR PHASE REFLOW OVEN.
  
- ⑧ THIS PRODUCT MEETS EUROPEAN UNION DIRECTIVES AND OTHER COUNTRY REGULATIONS AS DESCRIBED IN GS-22-008.
  
- ⑨ PART NUMBERS ENDING IN "LF" MEANS FOR NOTE 8 LEAD FREE IDENTIFICATION THE EQUIVALENT P/N FOR "LF" DESIGNATION.
  - ~~(i) XXXXXXXX-XXXLF IS SAME AS XXXXXXXX-XXX~~
  - ~~(ii) XXXXXXXX-XXXCLF IS SAME AS XXXXXXXX-XXXC~~
  - ~~(iii) XXXXXXXX-XXXCLF IS SAME AS XXXXXXXX-XXXC~~
  
- ⑩ A  SYMBOL WILL BE NEXT TO ANY DIMENSION, VIEW, OR NOTE WHICH HAS BEEN MODIFIED WITH THE CURRENT DRAWING REVISION.



Copyright FCI.

spec ref -		dr	GL LOO	2004-04-20	projection 	MM 	size	A3	scale	3:1
tolerance std ISO 406 ISO 1101		eng	GL LOO	2004-04-20			ecn no	S10-0228		
TOLERANCES UNLESS OTHERWISE SPECIFIED		chr	GL LOO	2010-10-28			rel level	-		
surface 		appr	JOEY NG	2010-10-28	product family		SAS	rev		
ISO 1302	linear	0.X	± -		SAS RECEPTACLE		dwg no	10036355		
		0.XX	±0.20							
		0.XXX	± -							VERTICAL SMT TYPE ASSY
	angular	0°	±2°	www.fci.com	cat. no.	-	Product - Customer Drw		sheet 3 of 3	