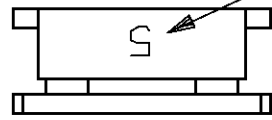


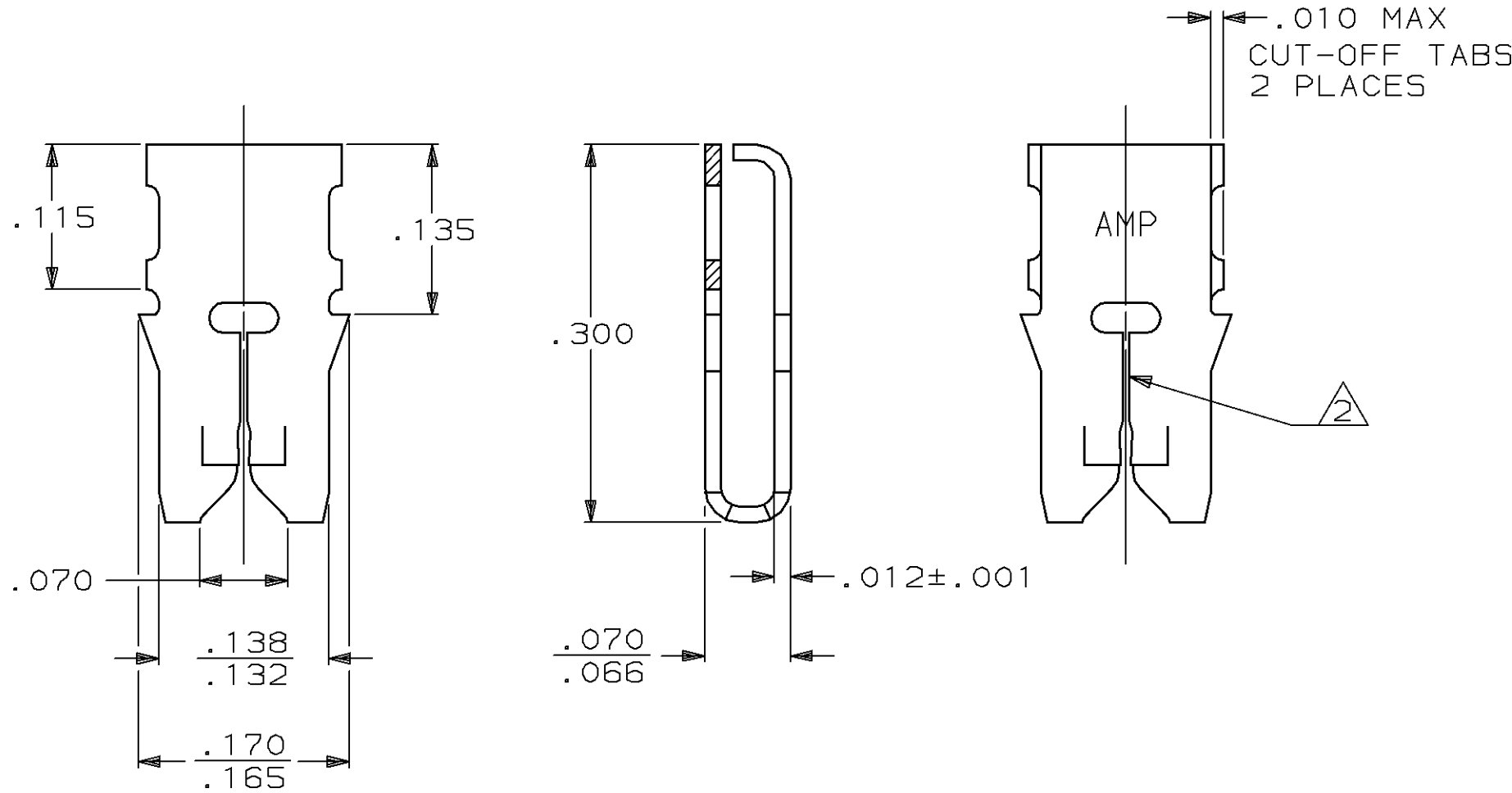
THIS DRAWING IS UNPUBLISHED. RELEASED FOR PUBLICATION, 19 .
© COPYRIGHT 19 BY AMP INCORPORATED. ALL INTERNATIONAL RIGHTS RESERVED.

LOC	DIST	P	F	REVISIONS				
AF	50			ZONE	LTR	DESCRIPTION	DATE	APPD
					B	REV ECN AF-8012	10-6-92	LAM MSF

IDENTIFICATION NUMBER 5 FOR MAGNET WIRE RANGE



- ① MAG-MATE CAVITY SPECIFICATION.
- ② SLOT TERMINATES #31-#28 COPPER MAGNET WIRE EITHER SINGLE OR DOUBLE OF THE SAME SIZE.



63532-1

PART NO

DO NOT SCALE PRINT.
UNLESS SPECIFIED
DIMENSIONS IN INCHES
TOLERANCES ON:
2 PLC DEC ± -
3 PLC DEC ± .010
ANGLES ± -

DR 3/30/89
MICHAEL S. FEHER
CHK 4/3/89
JEFF R. RUTH
APPD 4/4/89
NELSON E. NEFF
APPD 4/4/89
CHARLES G. ATHERTON
PRODUCT SPEC -

AMP AMP INCORPORATED
Harrisburg, Pa. 17105

NAME
TERMINAL, SPLICE,
MAG-MATE™, LOOSE PIECE

MATERIAL
#4 HARD BRASS

FINISH
.000080 MIN TIN
PER MIL-T-10727

APPLICATION SPEC
CP77-7892 ①

WEIGHT -

SIZE	FSCM NO	DRAWING NO
B	00779	63532
SCALE	8:1	SHEET
		1 OF 1