



A New Direction in Mixed-Signal

December 2013

XRP9710EVB-DEMO-1

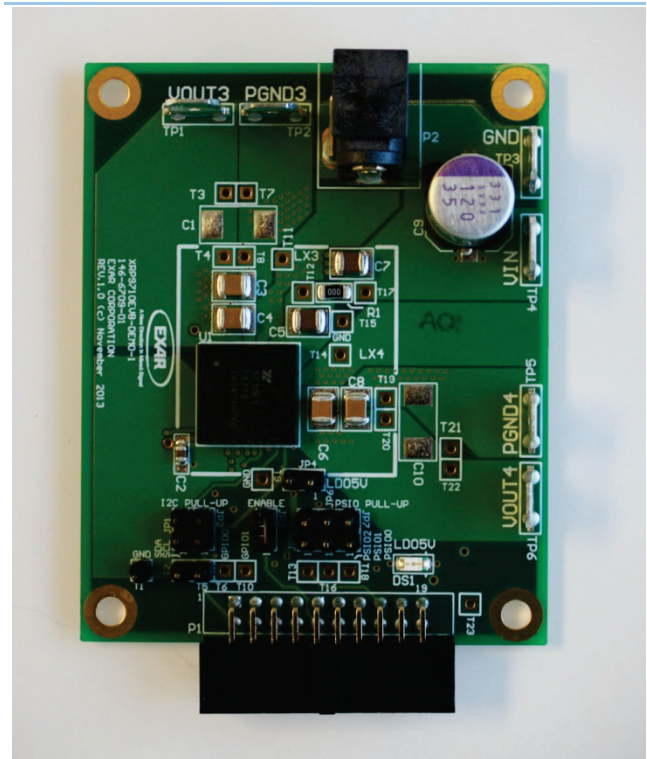
Dual Output Digital PWM/PFM Demo Board Programmable Power Management System

Rev. 1.0.0

GENERAL DESCRIPTION

The XRP779710EVB-DEMO-1 board is a complete, two channel power system. The default configuration provides 1.8V and 2.5V at maximum loads of 6Amps per output. The supplies can be dynamically adjusted in 5mV increments. The order and ramp rates for each supply can be programmed to accommodate any sequencing requirement. All power supply operations can be controlled over an I²C interface. Faults, output voltages and currents can also be monitored. Two GPIO and three PSIO signals are available and can be programmed to provide a variety of functions. Unused GPIO/PSIO pins can be programmed as I/O expansion for a microcontroller. The board is supported by PowerArchitect™ 5.1 or later, and plugs directly onto the interposer board acting as an interface to Arduino controller.

EVALUATION BOARD MANUAL



XRP9710EVB-DEMO-1

FEATURES

- **XRP9710 Programmable Power Module**
 - Channel 3 and 4 internal converters
- **2 Channel Power System**
- **Wide Input Voltage Range: 5.5V-22V**
- **I²C Interface**
 - Programming
 - Monitoring
 - Control
- **Arduino GPIO, PSIO and ENABLE control**



A New Direction in Mixed-Signal

December 2013

XRP9710EVB-DEMO-1

Dual Output Digital PWM/PFM Demo Board Programmable Power Management System

Rev. 1.0.0

EVALUATION BOARD SCHEMATICS

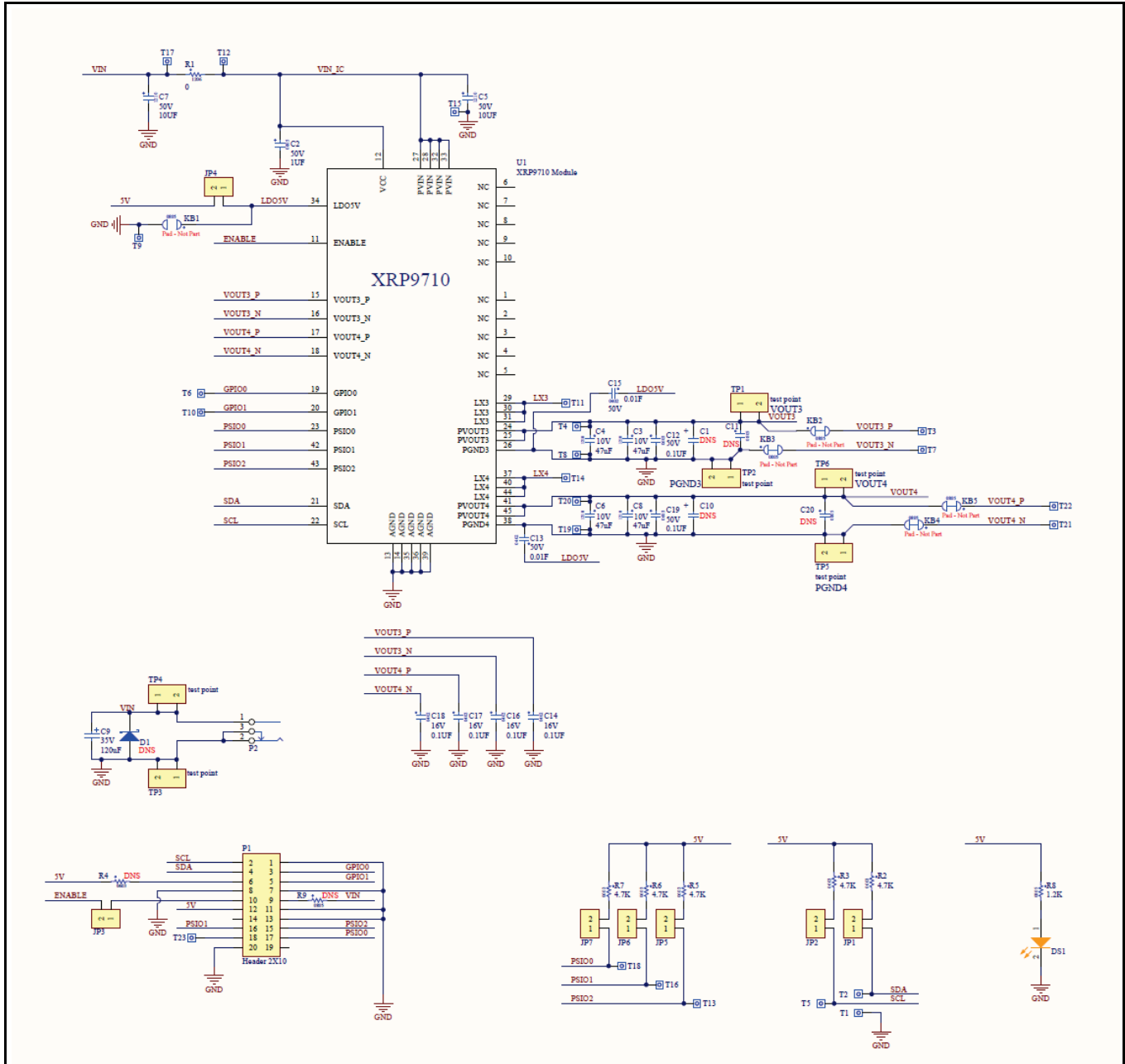


Figure 1 XRP9710 Evaluation Board Schematics

PIN ASSIGNMENT

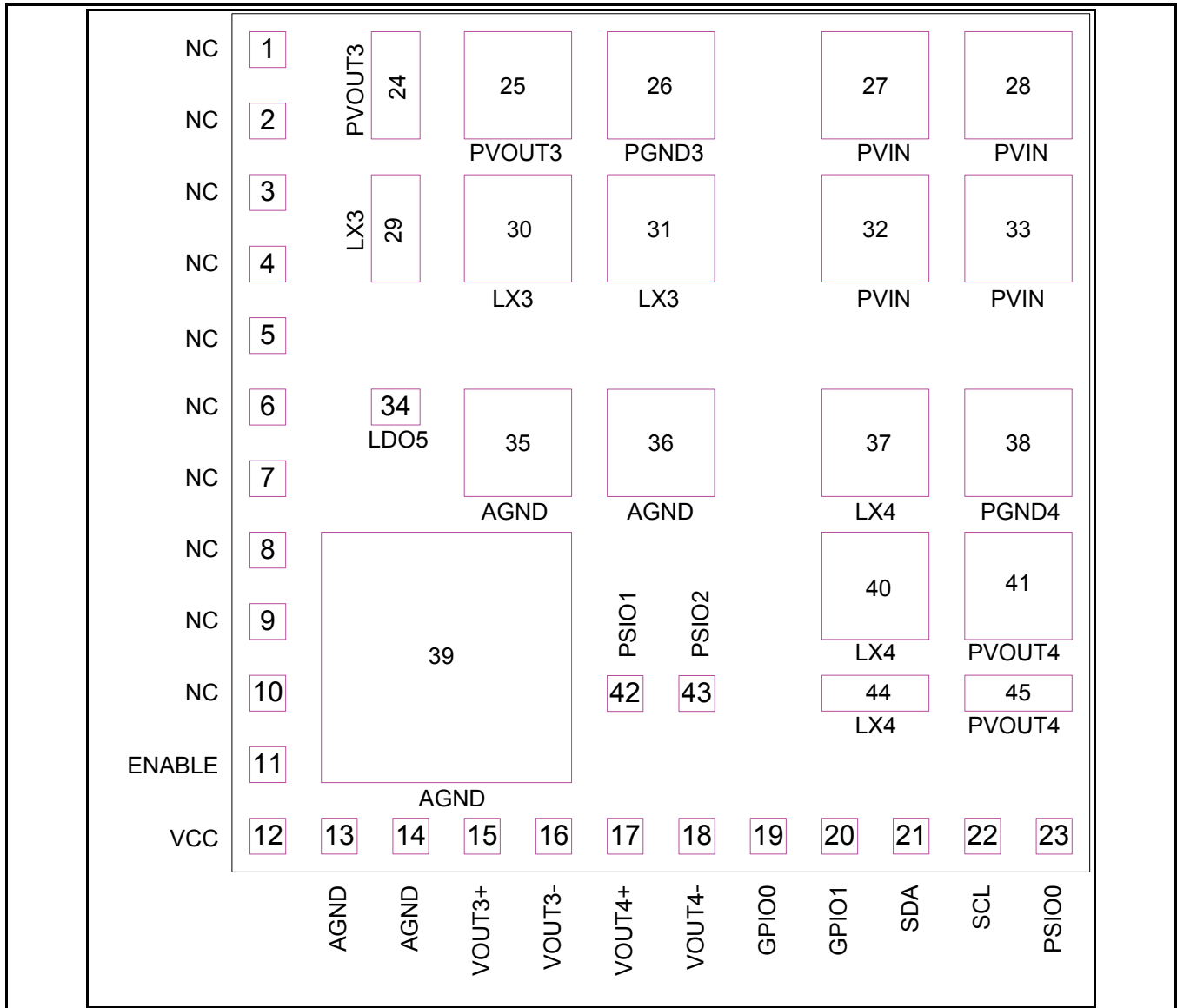


Figure 2 XRP9710 Pin Assignment

PIN DESCRIPTION

Pin #	Name	Description
1-10	NC	No Connect
11	ENABLE	Enable. If ENABLE is pulled high or allowed to float high, the chip is powered up. The pin must be held low for the XRP9711 to be placed into shutdown.
12	VCC	Controller Supply Voltage. Place a decoupling capacitor close to the controller IC. This input is used in UVLO fault generation.
13	AGND	Analog Ground. This is the small signal ground connection.
14	AGND	Analog Ground. This is the small signal ground connection.
15	VOOUT3+	Feedback Pin. Positive input of remote sensing differential amplifier. Connect to the remote voltage load, positive terminal.
16	VOOUT3-	Feedback Pin. Negative input of remote sensing differential amplifier. Connect to the remote voltage load, negative terminal.
17	VOOUT4+	Feedback Pin. Positive input of remote sensing differential amplifier. Connect to the remote voltage load, positive terminal.
18	VOOUT4-	Feedback Pin. Negative input of remote sensing differential amplifier. Connect to the remote voltage load, negative terminal.
19	GPIO0	I/O Logic Signal. Can be configured as input or output.
20	GPIO1	I/O Logic Signal. Can be configured as input or output.
21	SDA	I²C Data. SMBus/I ² C serial interface communication.
22	SCL	I²C Clock. SMBus/I ² C serial interface communication.
23	PSIO0	I/O Logic Signal, HV. Open drain, high voltage compliant. Can be configured as input or output.
24	PVOUT3	Channel Output Power. Output voltage for the internal channel.
25	PVOUT3	Channel Output Power. Output voltage for the internal channel.
26	PGND3	Channel Output Ground. Output ground for the internal channel.
27	PVIN	Channel Input Power. Internally connected to drain of upper switching MOSFET
28	PVIN	Channel Input Power. Internally connected to drain of upper switching MOSFET
29	LX3	Switch Node. Switch node of the internal channel.
30	LX3	Switch Node. Switch node of the internal channel.
31	LX3	Switch Node. Switch node of the internal channel.
32	PVIN	Channel Input Power. Internally connected to drain of upper switching MOSFET
33	PVIN	Channel Input Power. Internally connected to drain of upper switching MOSFET
34	LDO5	5V LDO Output. Used internally for power and may also be used for external power. LDO that can remain active while the rest of the IC is in standby mode.
35	AGND	Analog Ground. This is the small signal ground connection.
36	AGND	Analog Ground. This is the small signal ground connection.
37	LX4	Switch Node. Switch node of the internal channel.
38	PGND4	Channel Output Ground. Output ground for the internal channel.
39	AGND	Analog Ground. This is the small signal ground connection.
40	LX4	Switch Node. Switch node of the internal channel.
41	PVOUT4	Channel Output Power. Output voltage for the internal channel.
42	PSIO1	I/O Logic Signal, HV. Open drain, high voltage compliant. Can be configured as input or output.
43	PSIO2	I/O Logic Signal, HV. Open drain, high voltage compliant. Can be configured as input or output.
44	LX4	Switch Node. Switch node of the internal channel.
45	PVOUT4	Channel Output Power. Output voltage for the internal channel.

ORDERING INFORMATION

Refer to XRP9710's datasheet and/or www.exar.com for exact and up to date ordering information.

USING THE EVALUATION BOARD

INPUT VOLTAGE RANGE

The input voltage range of XRP9710EVB-DEMO-1 board is from 5.5V to 22V. The default configuration has been optimized for a 12V input rail. When running the board at an input voltage other than 12V, use PowerArchitect™ 5.1 (PA5.1) to evaluate the system performance.

I²C INTERFACE

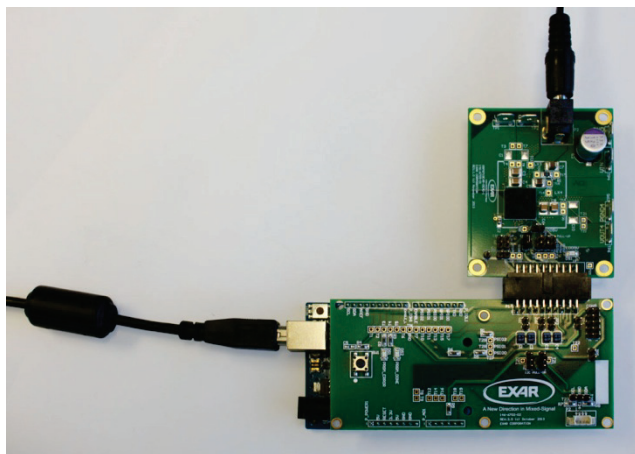
The XRP9710 programmable power module employs a standard I²C interface. Although the I²C signals can be pulled up to LDO5 on board by means of installing jumpers at the locations JP1, JP2 and JP4, the I²C bus signals are pulled up on the controller interface board by default (refer to Appendix – jumpers installed shorting pins 2 and 3 together at the locations JP6 and JP7).

OPERATING THE EVALUATION BOARD

The XRP9710EVB-DEMO-1 is designed to be powered from either an AC/DC wall wart (the output voltage must be in the range of 5.5V to 22V) connected to the barrel connector or a test bench DC power supply (the voltage must be in the range of 5.5V to 22V) connected to the V_{IN} connectors.

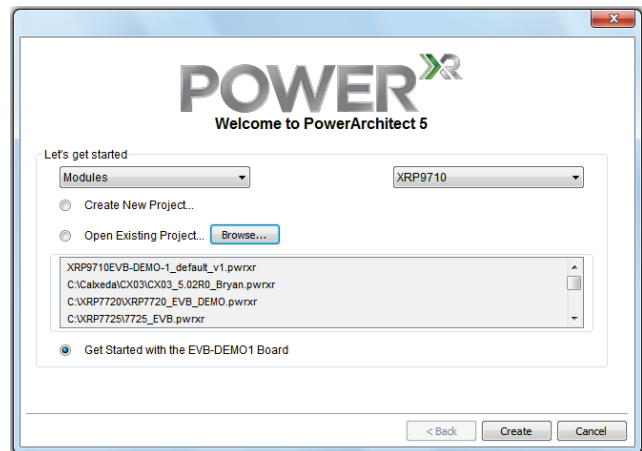
BRING UP PROCEDURE

Plug the XRP9710EVB-DEMO-1 evaluation board to the controller interface board as shown below.



Load the PowerArchitect™ 5.1 software and run it.

After selecting the proper family (Modules) and the device (XRP9710), select the “Get Started with the EVB-DEMO-1” option when prompted as shown below.



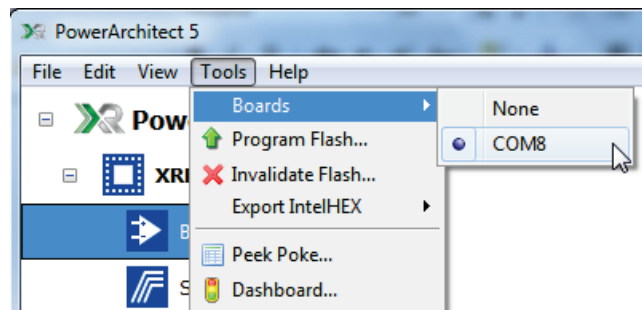
When done, click “Create”. PA 5.1 will load the default XRP9710EVB-DEMO-1 configuration automatically.

Apply power to the board. Please refer to the sections above on how to properly supply power to the board and what voltage range to use.

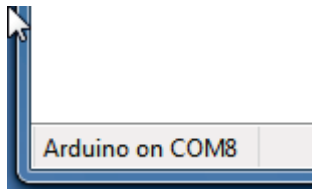
Turn on the Power supply.

Use USB cable to connect the computer (type A) and the Arduino controller board (type B).

Go to the Tools tab in PA 5.1 and select Boards. The software will identify communication ports where it found the Arduino controller board. Select the port.

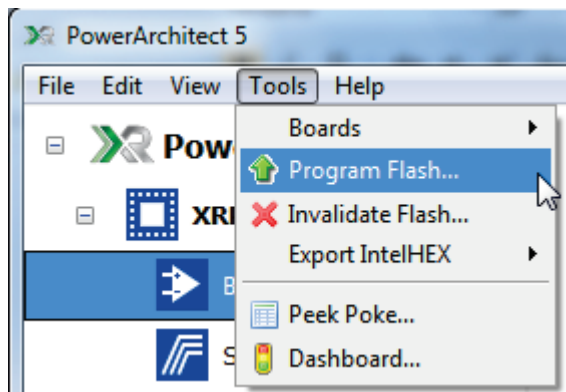


PA 5.1 is now communicating with the Arduino controller board which is indicated in the lower left corner.

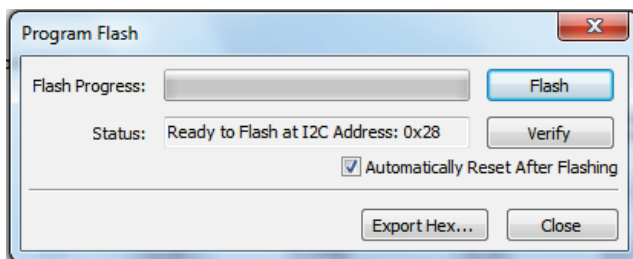


Programming the Configuration onto XRP9710

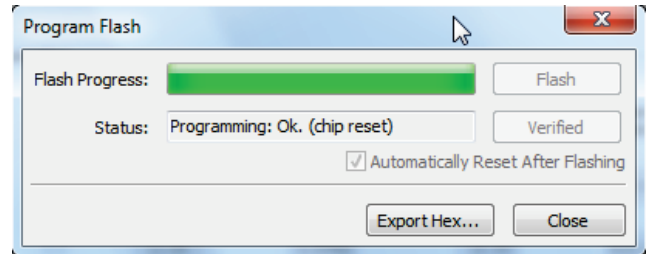
To program a configuration go to the Tools tab in PA 5.1 and select Program Flash.



The program Flash window will appear.



Click the Flash button.



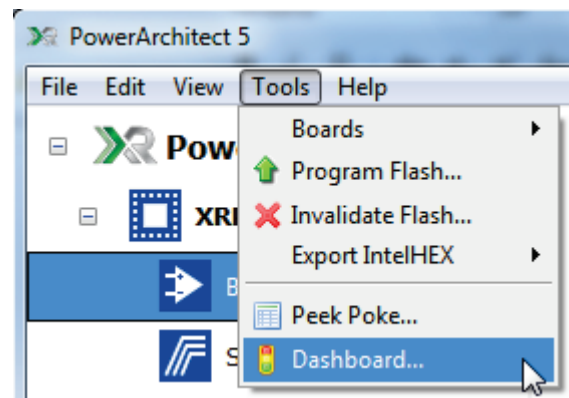
PA 5.1 will go through the process of loading configuration in the flash. Once it has successfully completed the task, it will report the outcome as seen above and reset the device if "Automatically Reset After Flashing" box checked (default option).

Close the window.

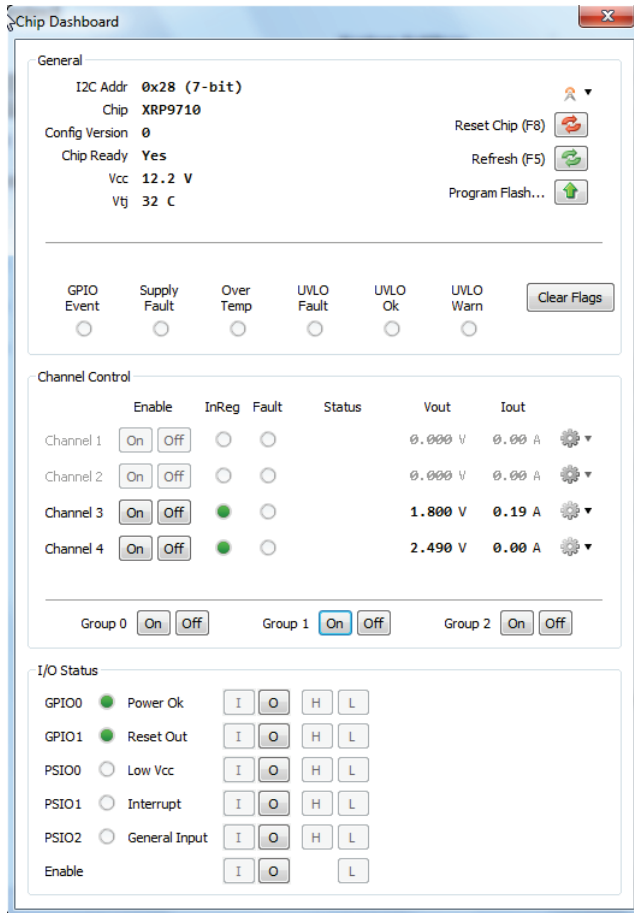
Note that XRP9710EVB-DEMO-1 boards will be pre-loaded with the default configuration.

Regulation

To enable channel regulation go to the Tools tab in PA 5.1 and select Dashboard.



In Dashboard turn Group 1 on. The configuration groups the channels 3 and 4 into Group 1. The channels are now in regulation as indicated by V_{OUT} readings as well as the in-regulation indicators.



Channels can be turned on individually if desired.

GPIO and PISO interface

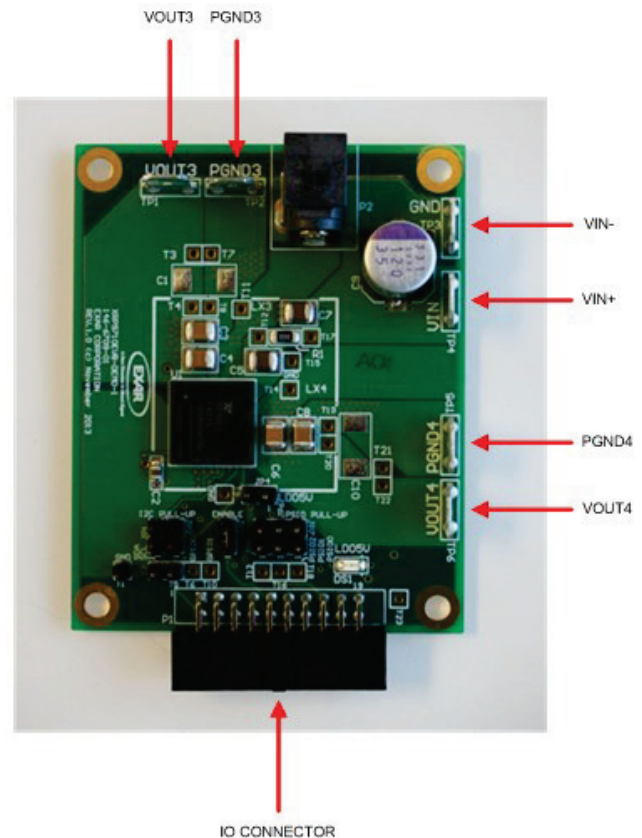
The GPIOs, PSIOs and ENABLE can be controlled from the Arduino controller dynamically in the dashboard.

ENABLE signal is connected to the Arduino controller board by default (JP3 header is shorted). Arduino drives the ENABLE pin low to place XRP9710 into the shutdown mode. It releases the ENABLE pin to enable the device. If leaving the ENABLE pin floating is desired, the jumper at JP3 shall be removed.

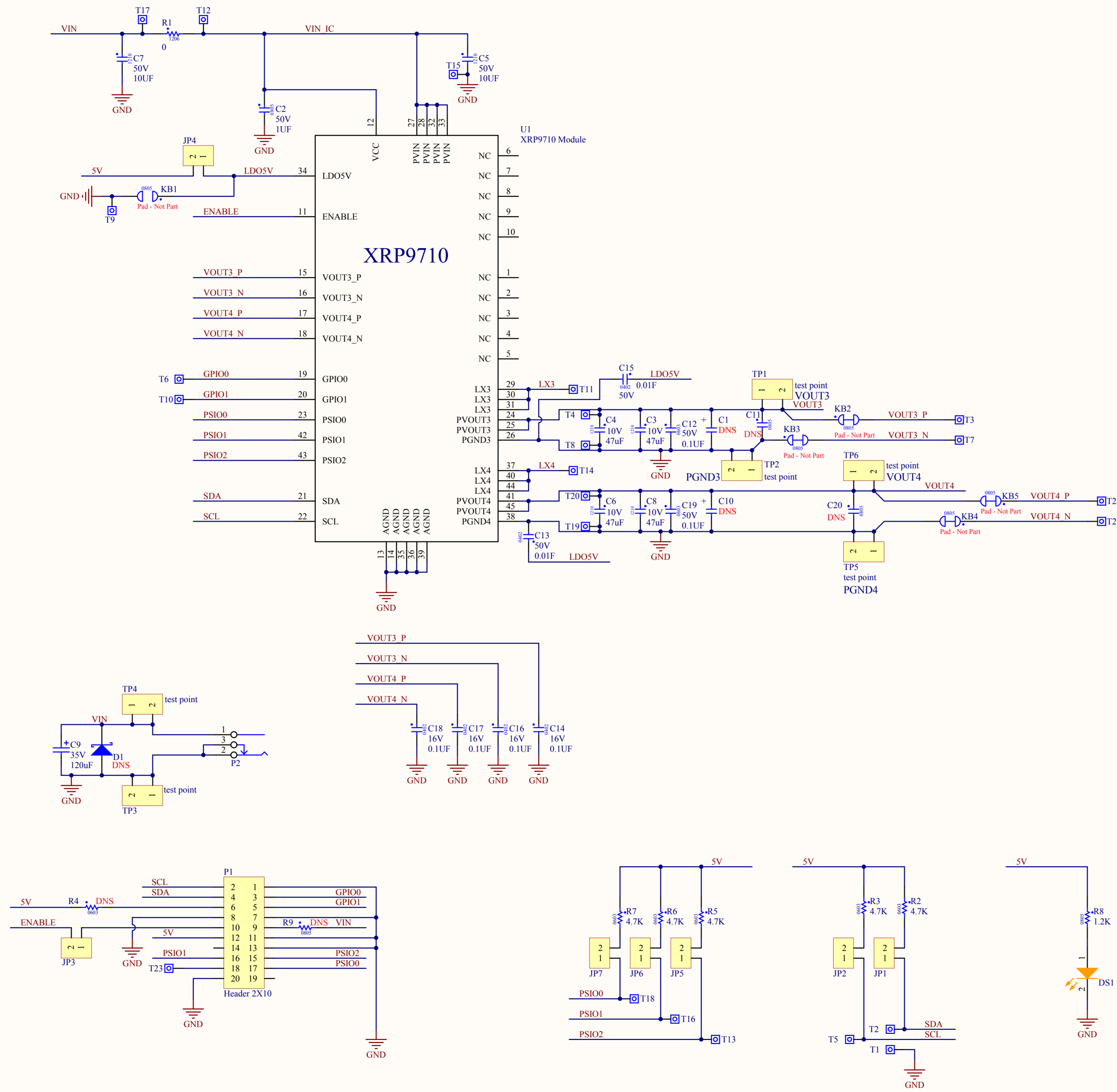
The PSIOs are not pulled up on XRP9710EVB-DEMO-1 by default. There is a loading option to pull PSIOs up to LDO5 if desired. To do this, one will need to short JP4, JP5, JP6 and JP7 headers by means of installing jumpers.

EVALUATION BOARD CONNECTIONS

The following picture illustrates how V_{IN} supplied from a test bench DC power supply and instruments attached to the outputs would be connected to the XRP9710EVB-DEMO-1 board.



EVALUATION BOARD SCHEMATICS



BILL OF MATERIAL

Ref.	Qty	Manufacturer	Part Number	Size	Component
	1	Exar Corporation	146-6709-01	2.25x2.80in	PCB
U1	1	Exar Corporation	XRP9710	12x12mm LGA	Dual 6A Programmable Power Module
DS1	1	Würth Elektronik	150120AS75000	1206	SMD Amber Chip LED
C2	1	Murata Corporation	GRM21BR71H105KA12L	0805	Ceramic Capacitor 1 μ F, 50V, X7R
C3, C4, C6, C8	4	Murata Corporation	GRM32ER71A476KE15L	1210	Ceramic Capacitor 47 μ F, 10V, X7R
C5, C7	2	Murata Corporation	GRM32ER71H106KA12L	1210	Ceramic Capacitor 10 μ F, 50V, X7R
C9	1	Panasonic/Sanyo	35SVPF120M	F12	OSCON Capacitor 120 μ F, 35V
C12, C19	2	Murata Corporation	GRM188R71H104KA93D	0603	Ceramic Capacitor 0.1 μ F, 50V, X7R
C13, C15	2	Murata Corporation	GRM155R71H103KA88D	0402	Ceramic Capacitor 0.01 μ F, 50V, X7R
C14, C16, C17, C18	4	Murata Corporation	GRM155R71C104KA88D	0402	Ceramic Capacitor 0.1 μ F, 16V, X7R
R1	1	Vishay Dale	CRCW12060000Z0EAHP	1206	RES 0 Ω , 1/2W, SMD
R2, R3, R5, R6, R7	5	Panasonic	ERJ-3EKF4701V	0603	RES 4.7k Ω , 1/10W, 5%, SMD
R8	1	Panasonic	ERJ-6GEYJ122V	0805	RES 1.2k Ω , 1/8W, 5%, SMD
JP1, JP2, JP3, JP4, JP5, JP6, JP7	7	Würth Elektronik	61300211121	0.20x0.10in	Connector, Male Header, 2 Positions, 100mil Spacing, Vertical, TH
P1	1	Sullins Connector Solutions	SFH11-PBPC-D10-RA- BK	1.20x0.55in	Connector, Female Header, 20 Positions, 100mil Spacing, RA, TH
P2	1	Switchcraft	RAPC722X	0.60x0.40in	Connector, Power Jack Mini R/A, T/H
T1, T2, T5	3	Würth Elektronik	61300111121	0.10x0.10in	Square Test Posts, TH
TP1, TP2, TP3, TP4, TP5, TP6	6	Würth Elektronik	7471287	0.32x0.10in	Mounting Tabs

EVALUATION BOARD LAYOUT

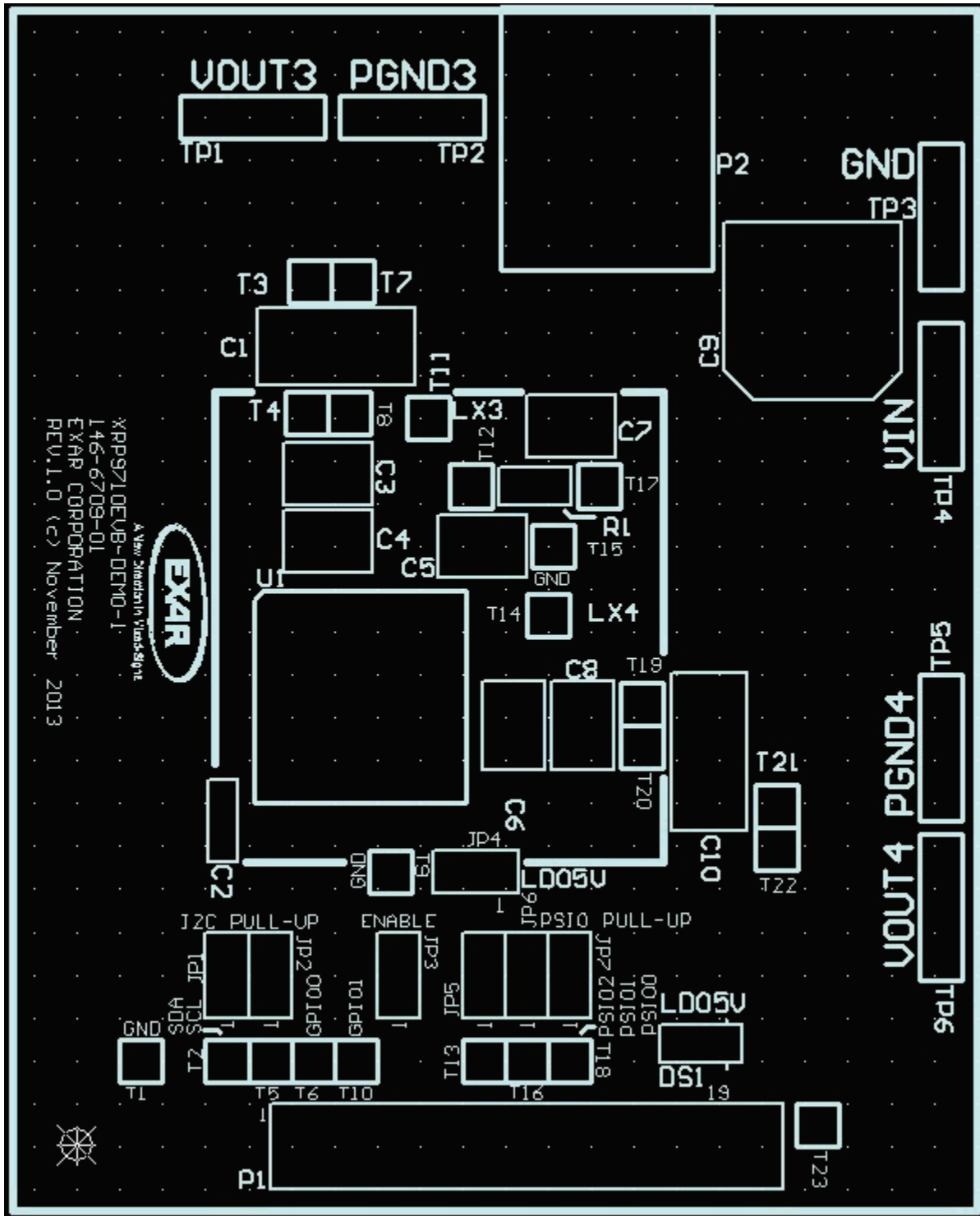


Figure 3 Component Placement – Top Side

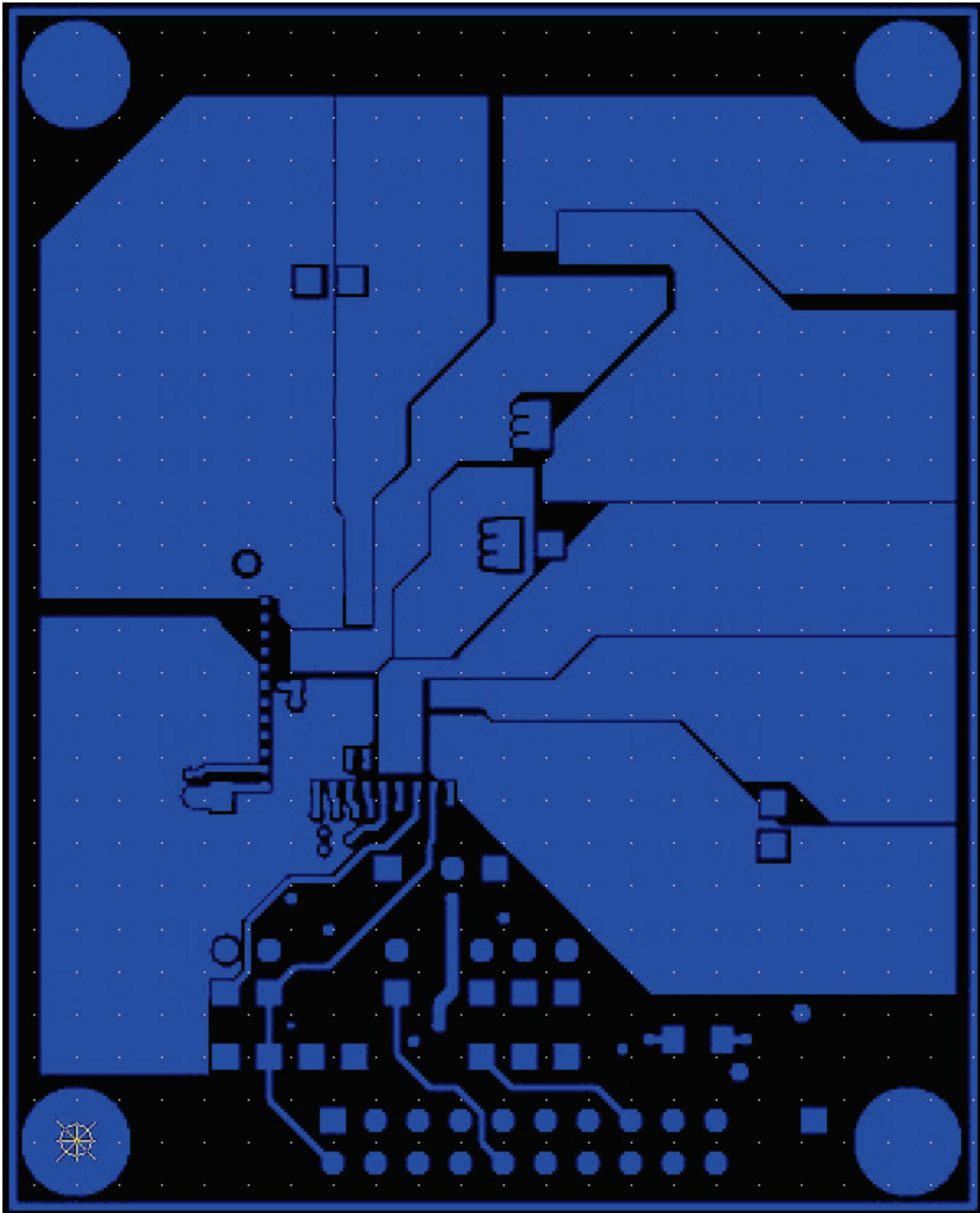


Figure 4 Layout – Top Side

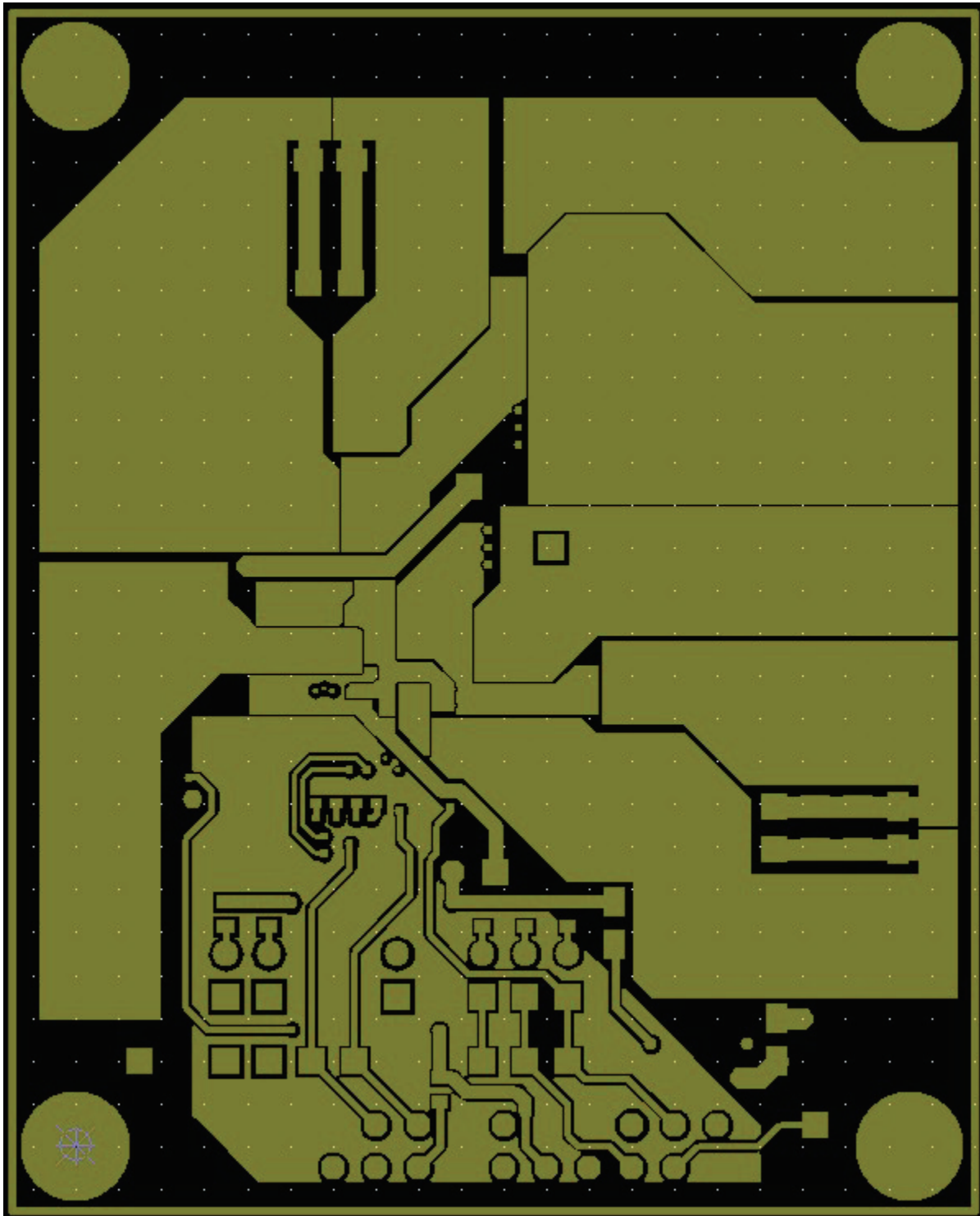


Figure 5 Layout - Bottom

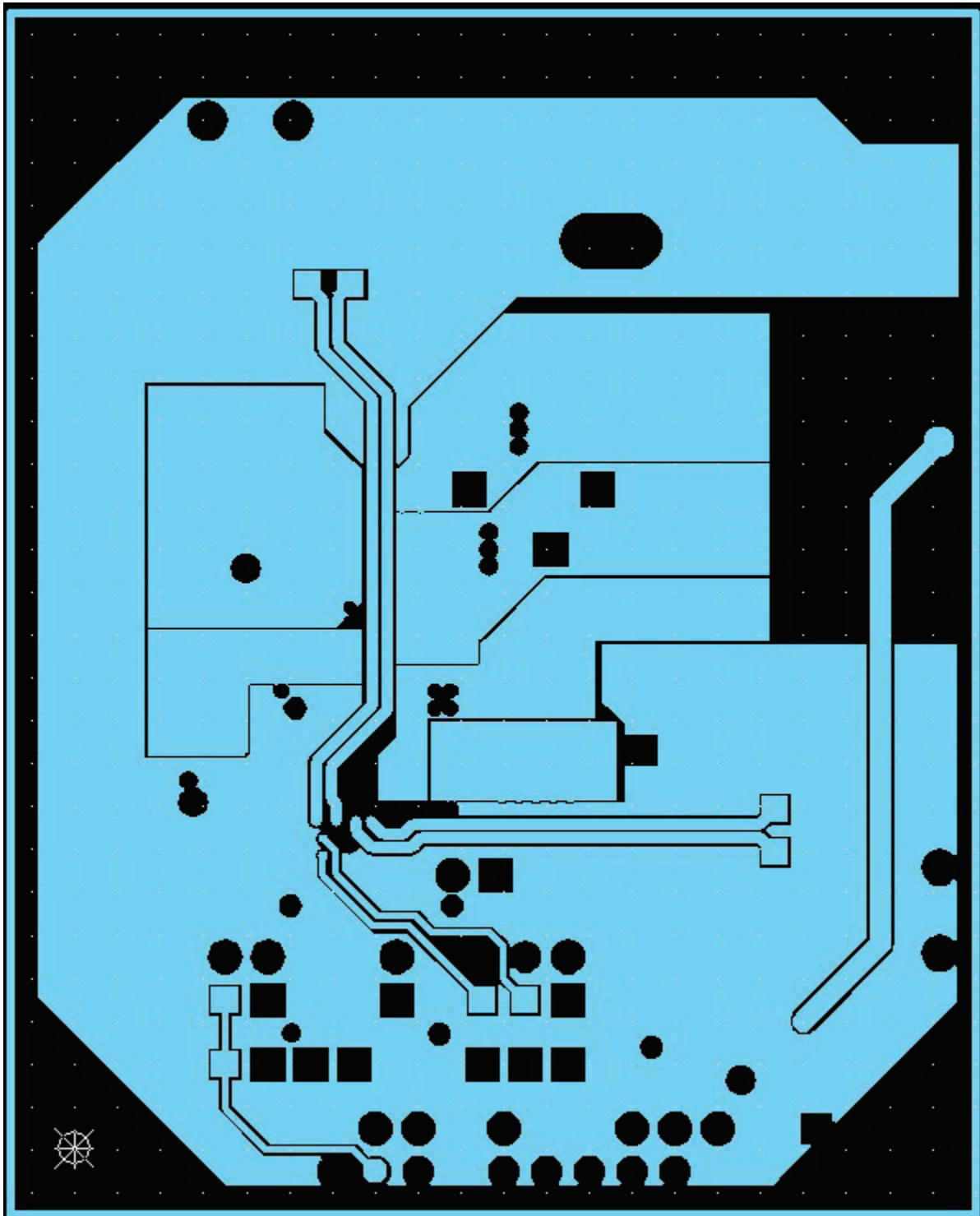


Figure 6 Layout – Middle Layer 1

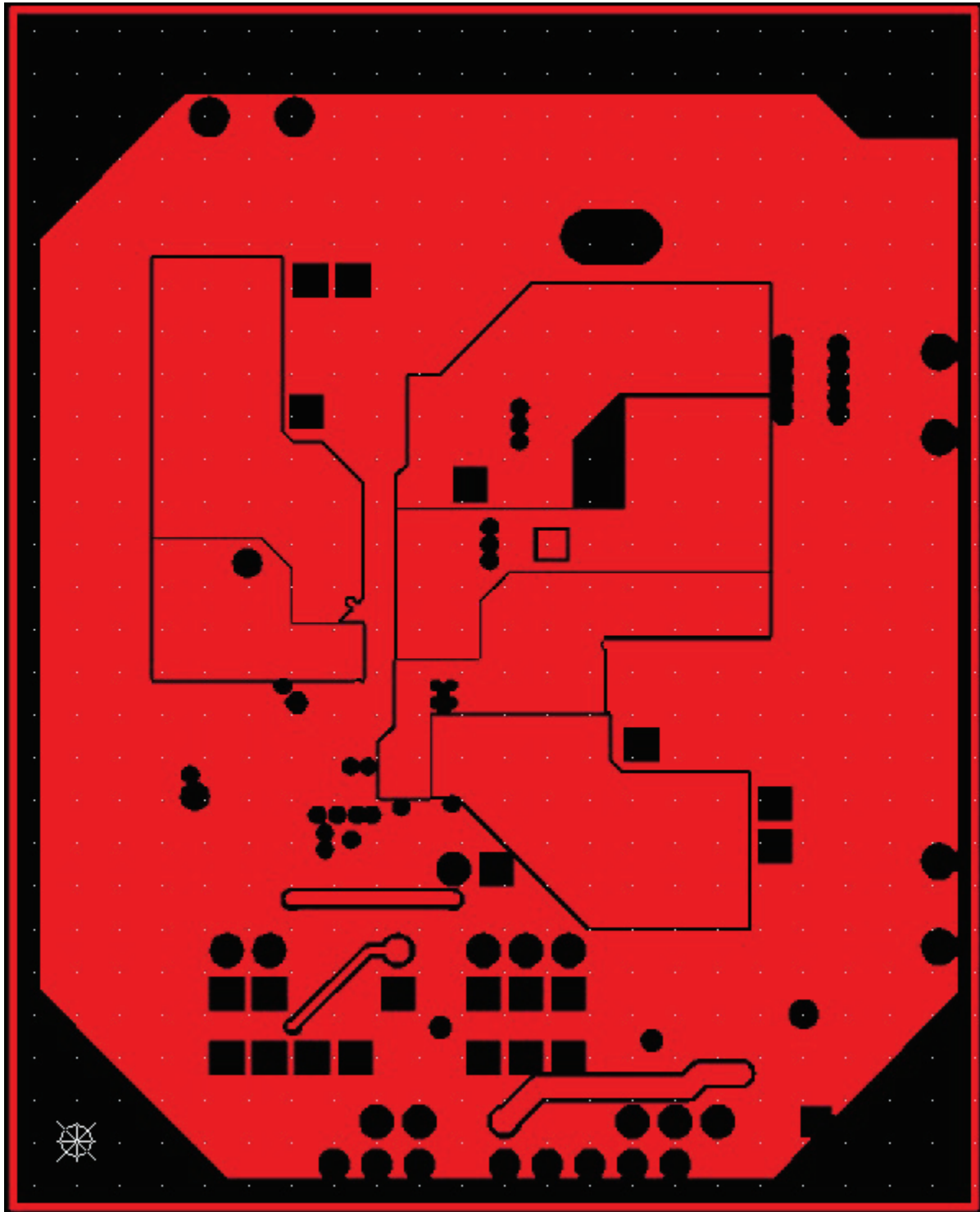


Figure 7 Layout – Middle Layer 2

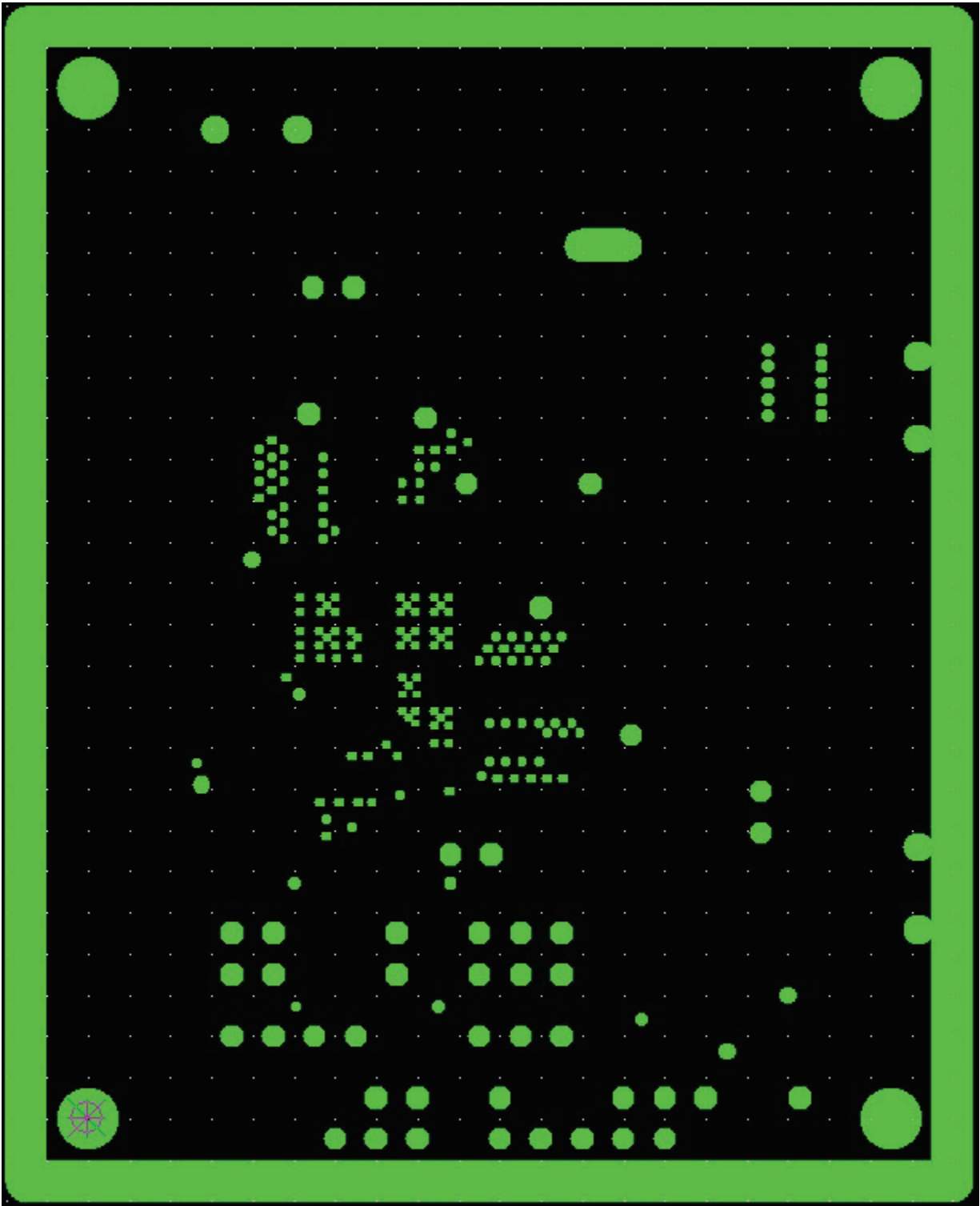


Figure 8 Layout – Signal Ground Plane

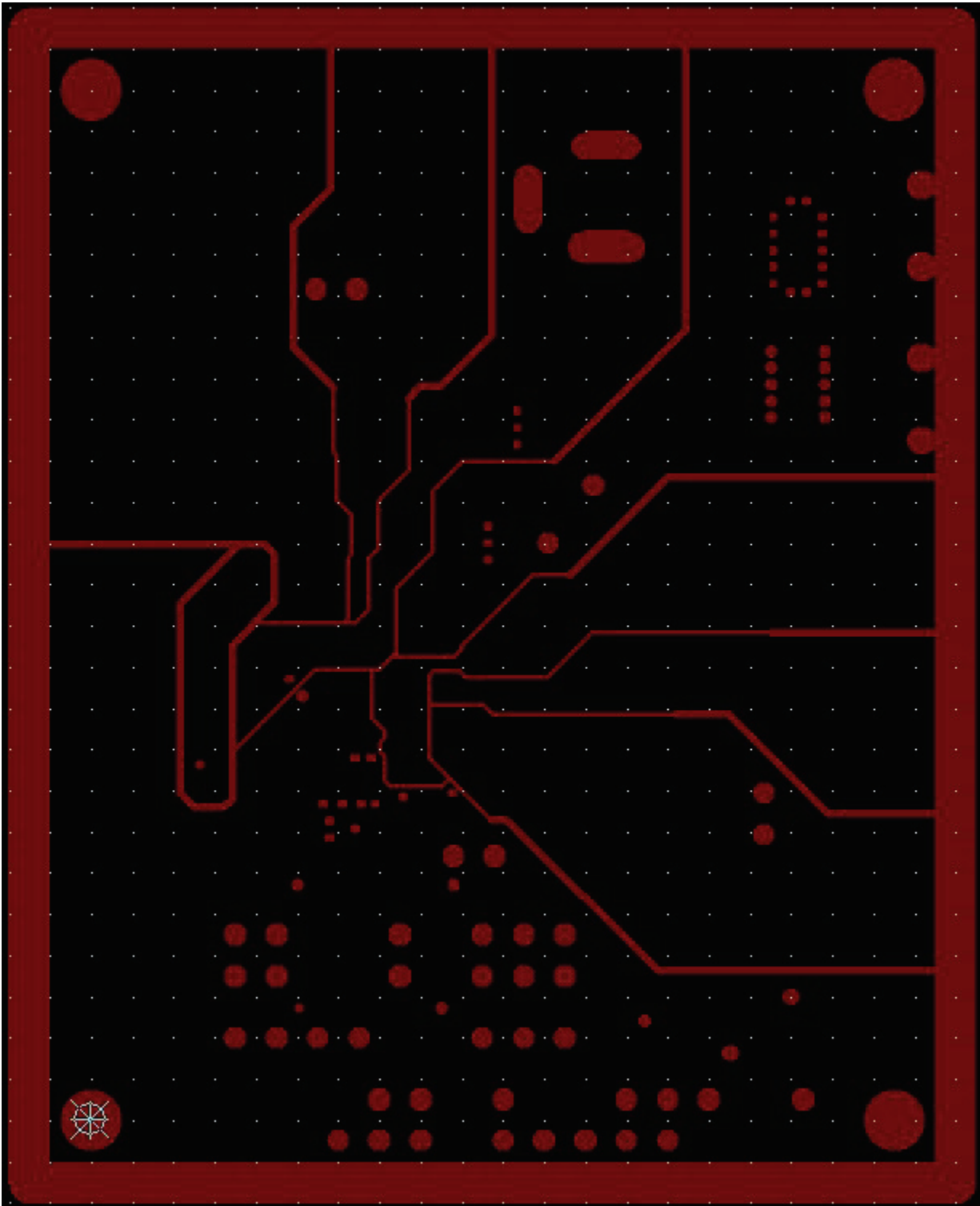
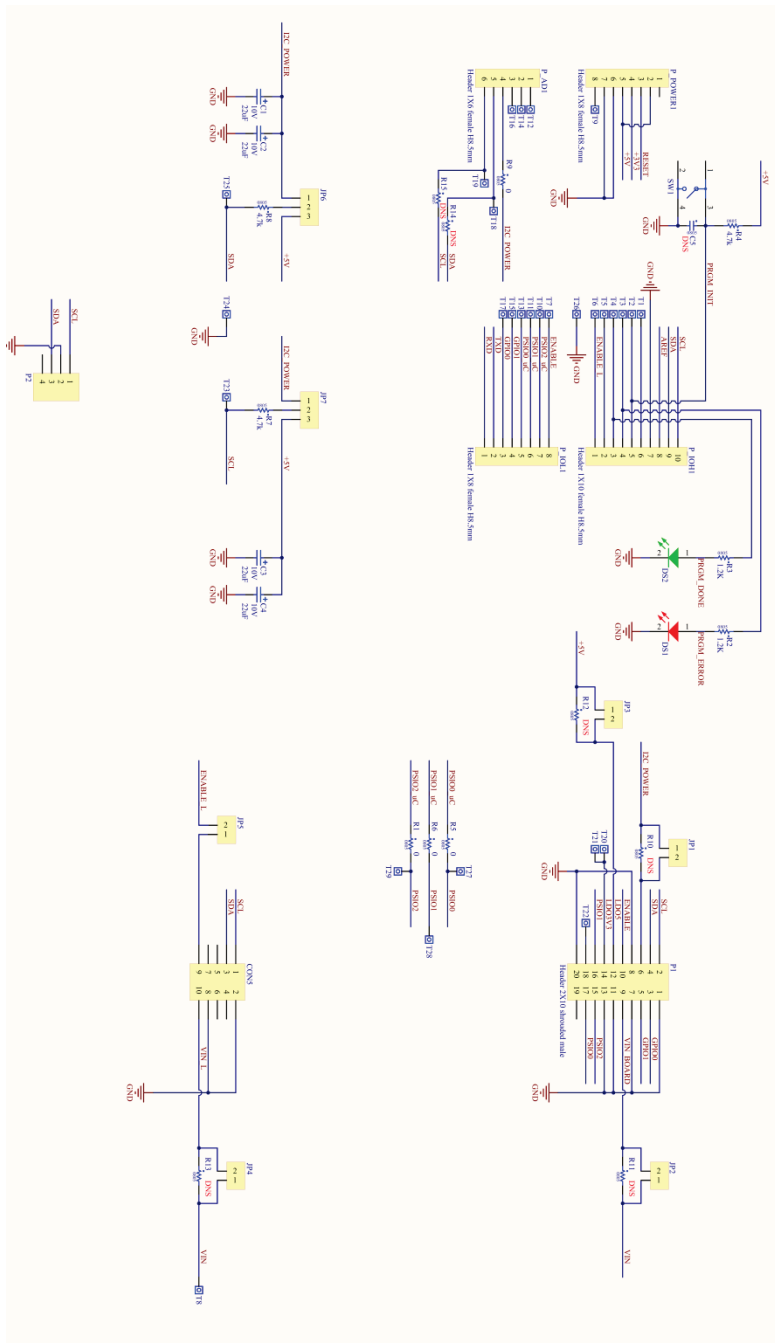


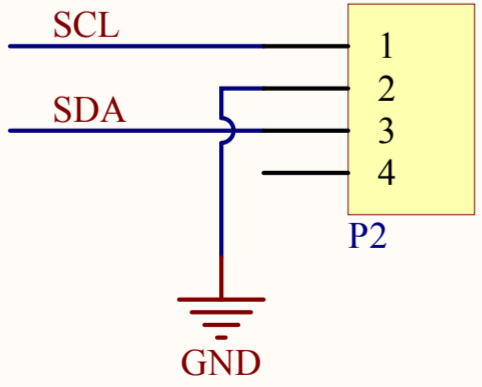
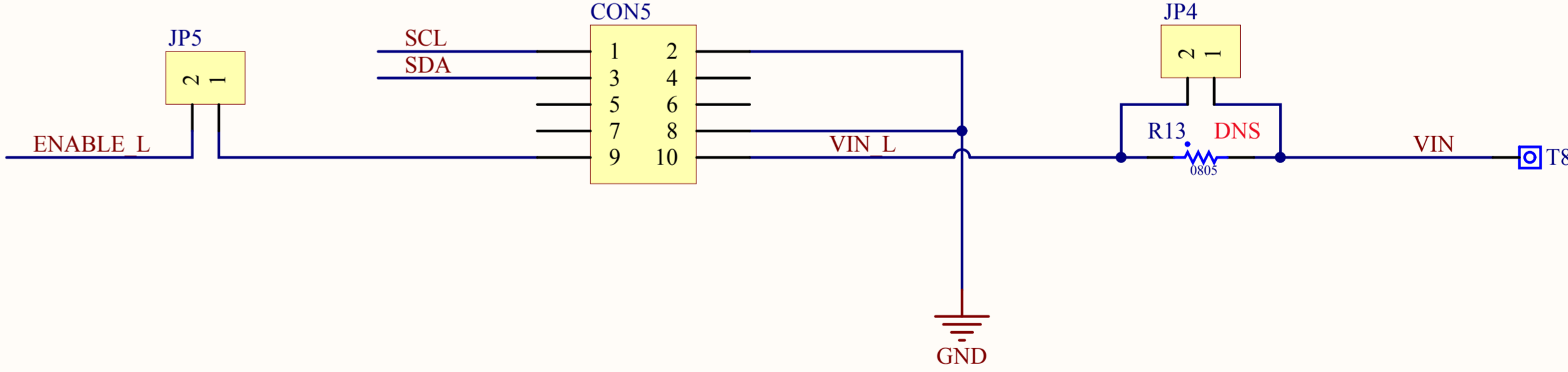
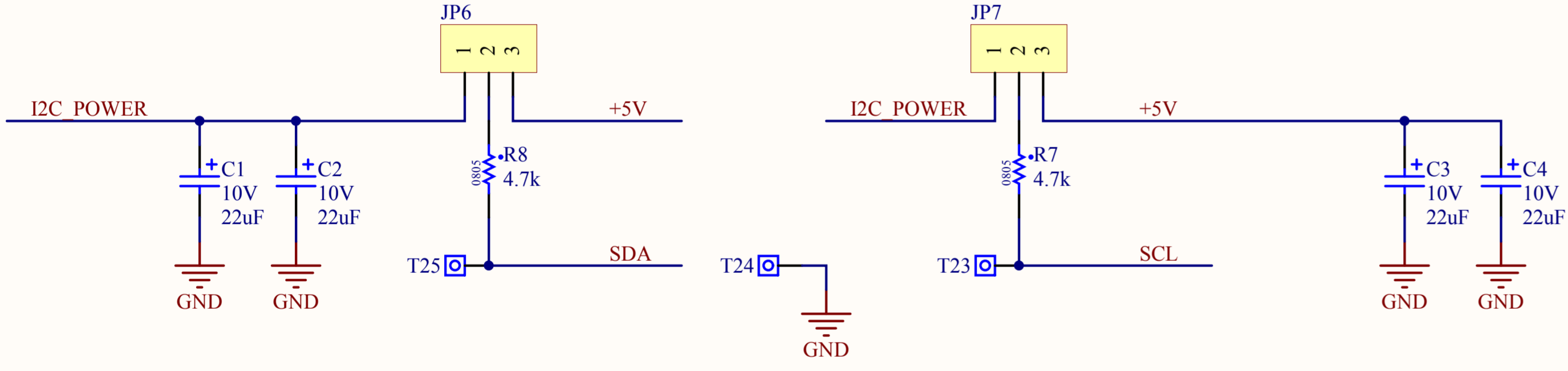
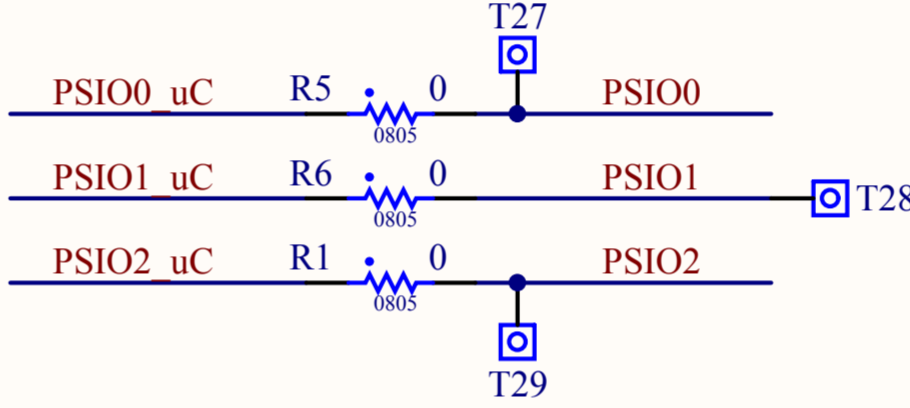
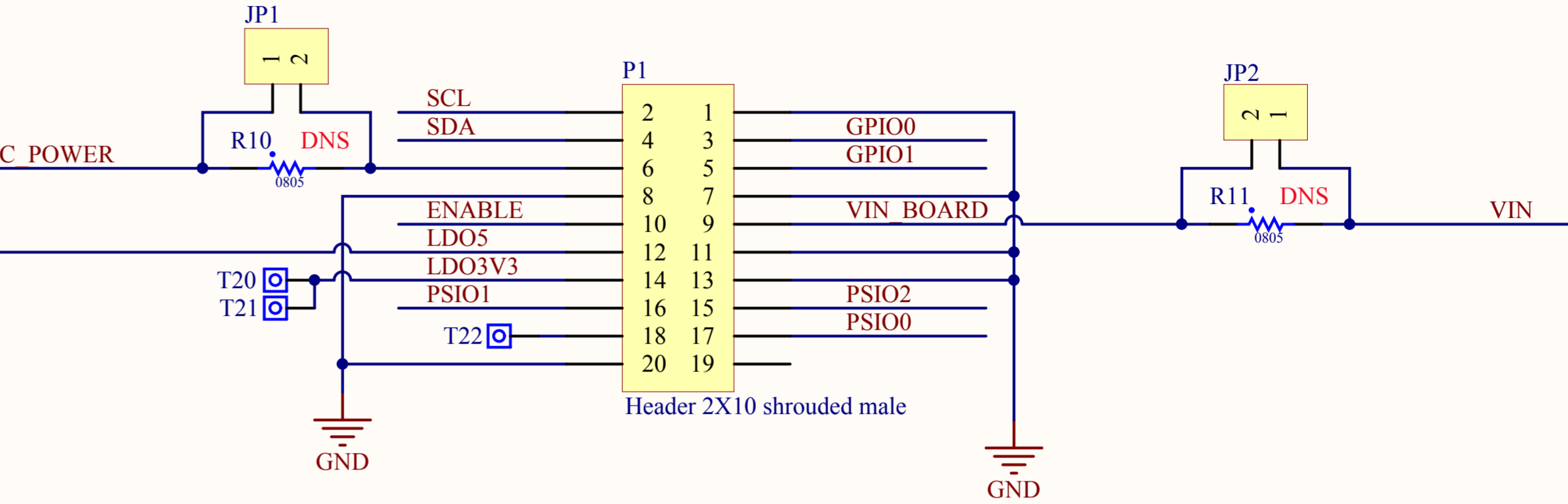
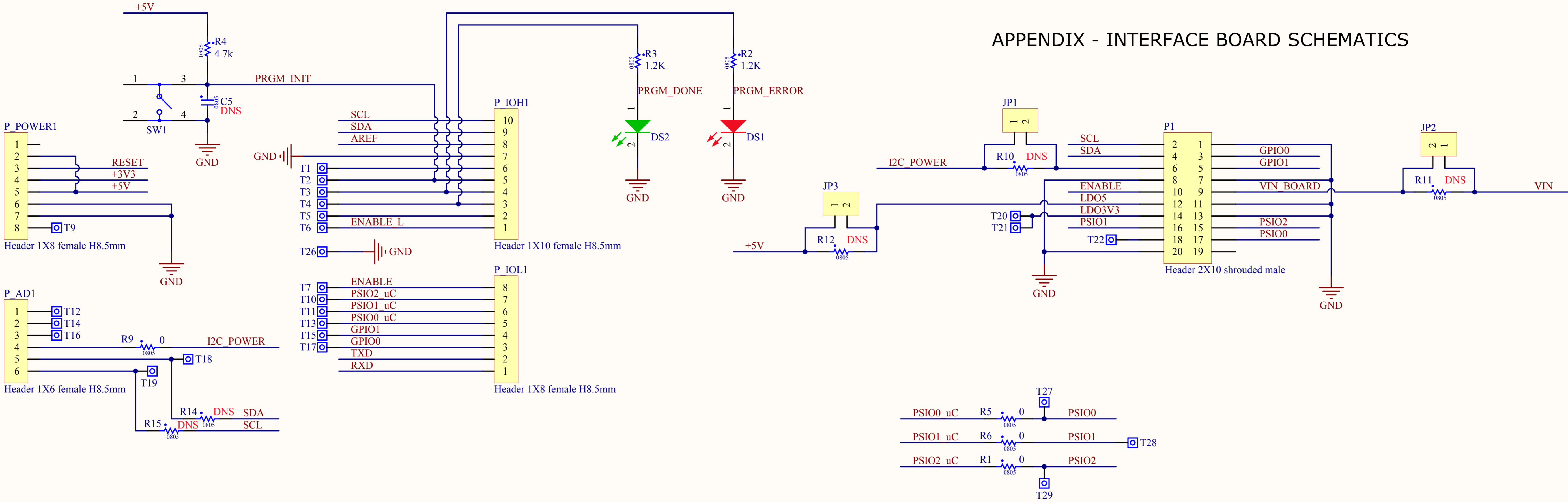
Figure 9 Layout – Internal Plane

APPENDIX – INTERFACE BOARD

SCHEMATICS



APPENDIX - INTERFACE BOARD SCHEMATICS



BILL OF MATERIAL

Ref.	Qty	Manufacturer	Part Number	Size	Component
	1	Exar Corporation	146-6703-01	4.40x2.10in	PCB
DS1	1	Würth Elektronik	150120RS75000	1206	SMD Red Chip LED
DS2	1	Würth Elektronik	150120VS75000	1206	SMD Green Chip LED
C1, C2, C3, C4	4	Vishay Sprague	293D226X9010B2TE3	B	Tantalum Capacitor 22 μ F, 10V, 10%
R1, R5, R6, R9	4	Panasonic	ERJ-6GEY0R00V	0805	RES 0 Ω , 1/8W, 5% SMD
R2, R3	2	Panasonic	ERJ-6GEYJ122V	0805	RES 1.2k Ω , 1/8W, 5%, SMD
R4, R7, R8	3	Panasonic	ERJ-6GEYJ472V	0805	RES 4.7k Ω , 1/8W, 5%, SMD
SW1	1	Würth Elektronik	430182050816	6x6mm	Tact Switch, SMD
CON5	1	Würth Elektronik	61301021121	0.50x0.20in	Connector, Male Header, 10 Positions, Dual Row, 100mil Spacing, Vertical, TH
JP1, JP2, JP3, JP4, JP5	5	Würth Elektronik	61300211121	0.20x0.10in	Connector, Male Header, 2 Positions, 100mil Spacing, Vertical, TH
JP6, JP7	2	Würth Elektronik	61300311121	0.30x0.10in	Connector, Male Header, 3 Positions, 100mil Spacing, Vertical, TH
P1	1	Würth Elektronik	612020235221	1.30x0.55in	Connector, Male Header, 20 Positions, Dual Row, 100mil Spacing, Shrouded, RA, TH
P2	1	Würth Elektronik	653104124022	11x6mm	Wire-to-Board Connector, Male, 4 Positions, 1.25mm Spacing, Shrouded, SMT
P_IOH1	1	Würth Elektronik	61301011121	1.00x0.10in	Connector, Male Header, 10 Positions, 100mil Spacing, Vertical, TH
P_POWER1, P_IOL1	2	Würth Elektronik	61300811121	0.80x0.10in	Connector, Male Header, 8 Positions, 100mil Spacing, Vertical, TH
P_AD1	1	Würth Elektronik	61300611121	0.60x0.10in	Connector, Male Header, 6 Positions, 100mil Spacing, Vertical, TH
T23, T24, T25	3	Würth Elektronik	61300111121	0.10x0.10in	Square Test Posts, TH



XRP9710EVB-DEMO-1

Dual Output Digital PWM/PFM Demo Board Programmable Power Management System

DOCUMENT REVISION HISTORY

Revision	Date	Description
1.0.0	01/06/2014	Initial release of document

BOARD REVISION HISTORY

Board Revision	Date	Description
XRP9710EVB- DEMO-1-01	12/20/13	Initial release of evaluation board

FOR FURTHER ASSISTANCE

Email: customersupport@exar.com
Exar Technical Documentation: <http://www.exar.com/TechDoc/default.aspx?>



EXAR CORPORATION

HEADQUARTERS AND SALES OFFICES

48720 Kato Road
Fremont, CA 94538 – USA
Tel.: +1 (510) 668-7000
Fax: +1 (510) 668-7030
www.exar.com

NOTICE

EXAR Corporation reserves the right to make changes to the products contained in this publication in order to improve design, performance or reliability. EXAR Corporation assumes no responsibility for the use of any circuits described herein, conveys no license under any patent or other right, and makes no representation that the circuits are free of patent infringement. Charts and schedules contained here in are only for illustration purposes and may vary depending upon a user's specific application. While the information in this publication has been carefully checked; no responsibility, however, is assumed for inaccuracies.

EXAR Corporation does not recommend the use of any of its products in life support applications where the failure or malfunction of the product can reasonably be expected to cause failure of the life support system or to significantly affect its safety or effectiveness. Products are not authorized for use in such applications unless EXAR Corporation receives, in writing, assurances to its satisfaction that: (a) the risk of injury or damage has been minimized; (b) the user assumes all such risks; (c) potential liability of EXAR Corporation is adequately protected under the circumstances.

Reproduction, in part or whole, without the prior written consent of EXAR Corporation is prohibited.