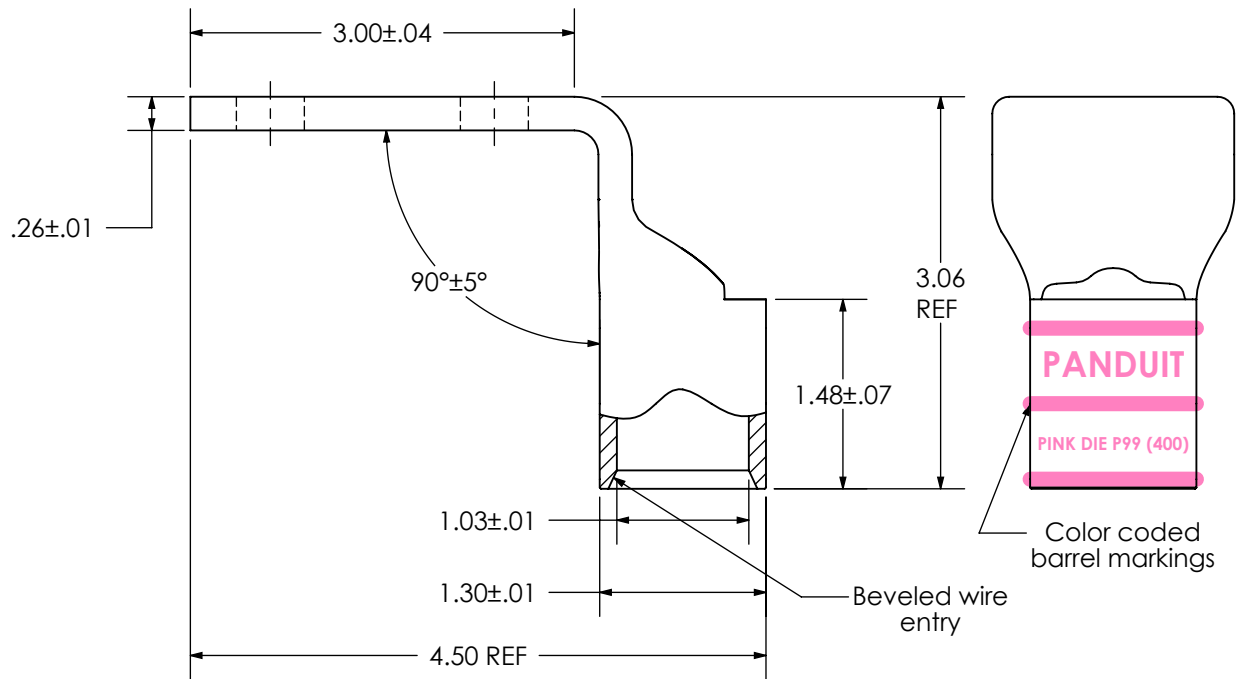
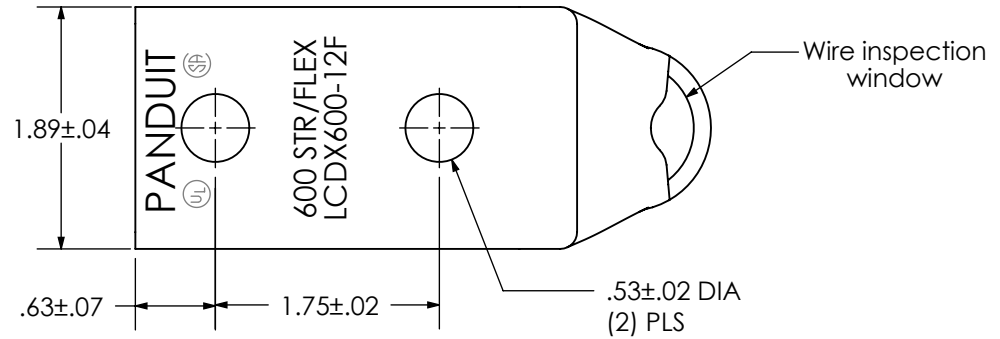


THIS COPY IS PROVIDED ON A RESTRICTED BASIS AND IS NOT TO BE USED IN ANY WAY DETRIMENTAL TO THE INTERESTS OF PANDUIT CORP.

| | |
|--|--|
| Material | High Conductivity Seamless Copper Tube |
| Plating | Electro-Tin |
| Wire Size | 600 STR/FLEX |
| Wire Type | Stranded Copper: Class: G, H, I |
| Wire Strip Length | 1-9/16 in. |
| Stud Size | 1/2 in. |
| UL Listed Wire Connector | Yes, for applications up to 35kv. Consult cable manufacturer for voltage stress relief instructions with applications greater than 2000 volts. |
| UL Temperature Rating | 90° C |
| C.S.A Certified Wire Connector | Yes |
| Panduit Color Code on Barrel | PINK |
| Panduit Die Index No. on Barrel | P99 |
| Alternate Industry Die Index No. () on Barrel | (400) |



PANDUIT CORP. TINLEY PARK, ILLINOIS

LCDX600-12F-6
Copper Lug - Two-Hole, Standard Flex Barrel, 90° Angle Tongue

01 4/09 JHNU JHNU REVISED TOLERANCES: HOLE OFFSET WAS .04, BARREL LENGTH WAS .04

| REV | DATE | BY | CHK | DESCRIPTION | ECN | SCALE | DRAWING NO / CAD FILE |
|-----|------|----|-----|-------------|-----|-------|-----------------------|
| | | | | | | N/A | LCDX600-12F-CUST |