

Customer Information Sheet

DRAWING No.: M50-311XX42

SHEET 2 OF 2

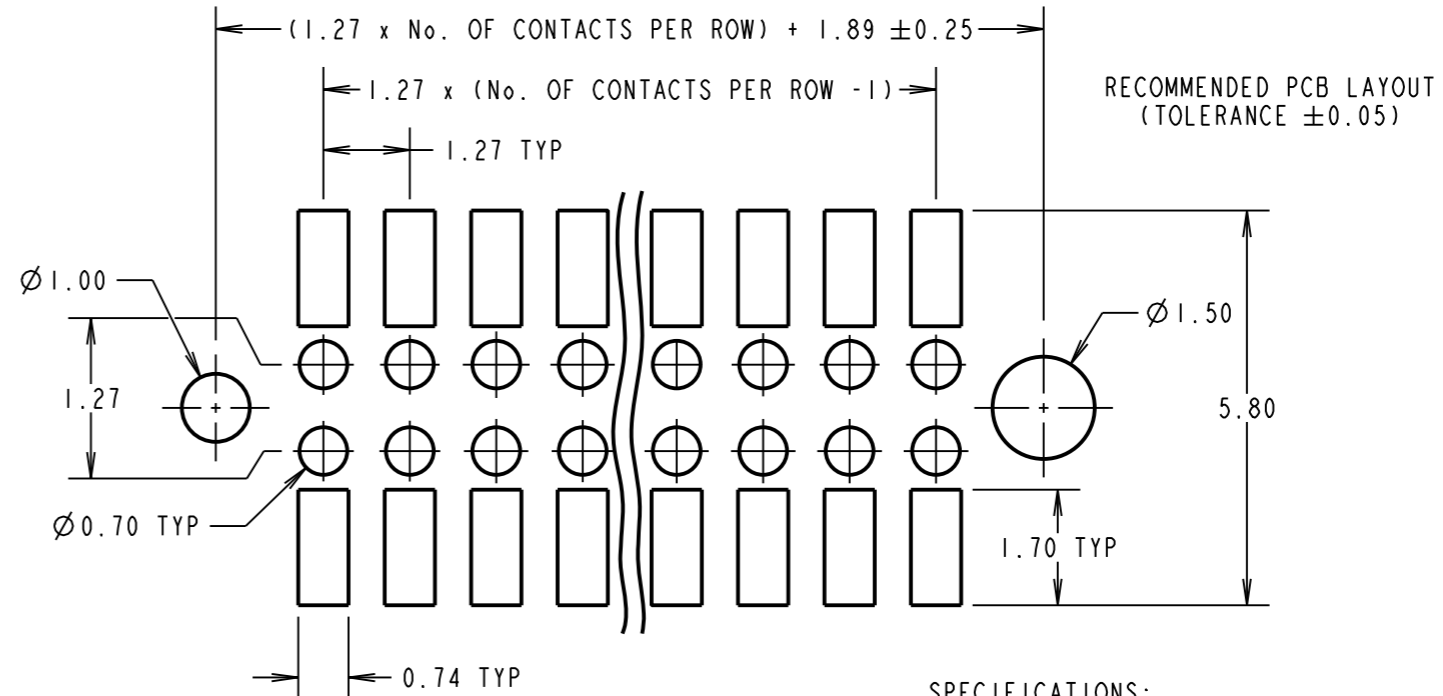
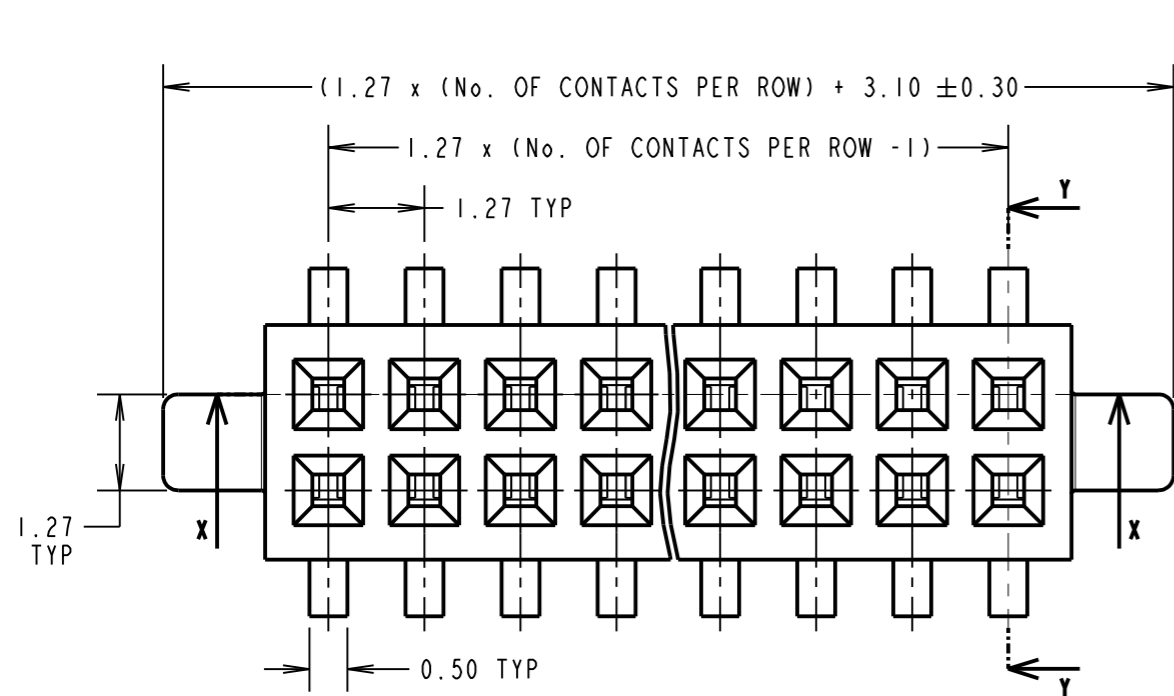
IF IN DOUBT - ASK

©

NOT TO SCALE

THIRD ANGLE PROJECTION

ALL DIMENSIONS IN mm



SPECIFICATIONS:

MATERIAL:

MOULDING = PA9T, UL94V-0, BLACK
CONTACT = PHOSPHOR BRONZE

FINISH:

CONTACT = NICKEL ALL OVER,
GOLD FLASH ON CONTACT AREA,
100% TIN ON TAILS

ELECTRICAL:

CURRENT RATING = 1A
VOLTAGE PROOF = 500V AC FOR ONE MINUTE
CONTACT RESISTANCE = $20m\Omega$ MAX INITIAL,
 $30m\Omega$ MAX AFTER CONDITIONING

INSULATION RESISTANCE = $1,000M\Omega$ MIN
VOLTAGE PROOF = 500V AC/DC

MECHANICAL:

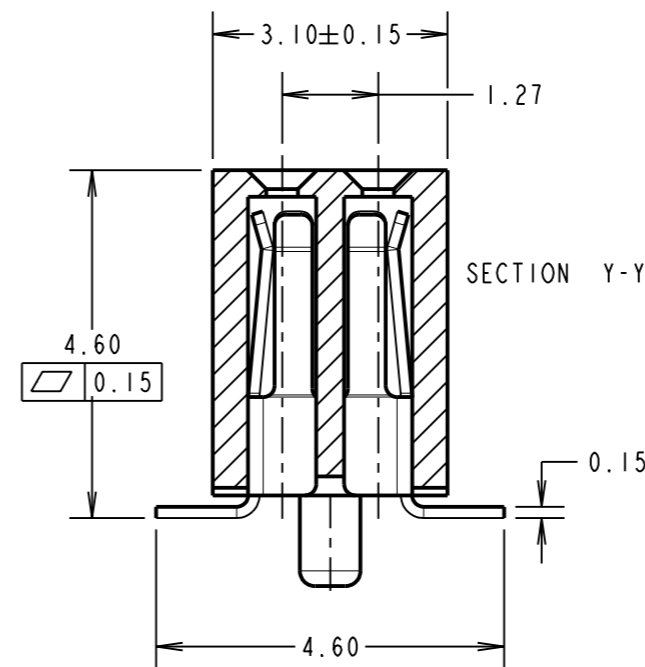
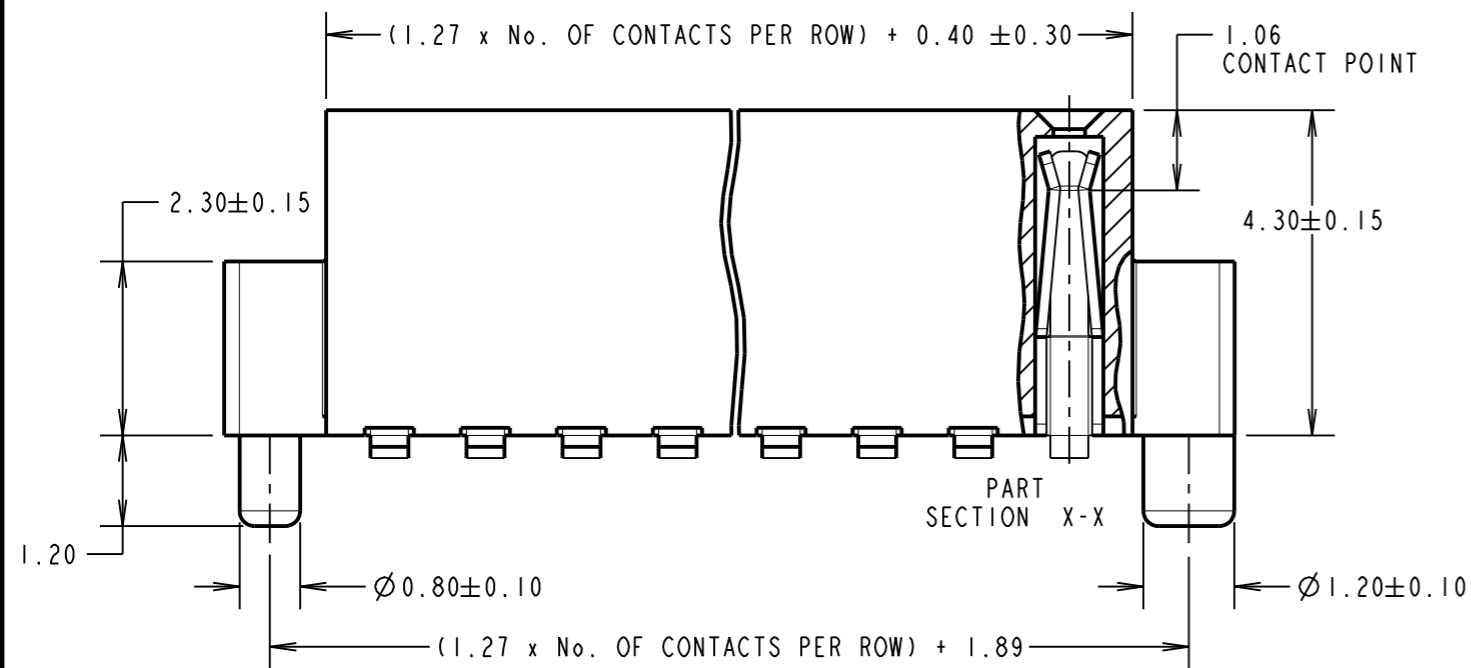
DURABILITY = 300 CYCLES MIN
INSERTION FORCE = 0.98N MAX PER CONTACT
WITHDRAWAL FORCE = 0.12N MIN PER CONTACT

ENVIRONMENTAL:

OPERATING TEMPERATURE = -40°C TO $+105^{\circ}\text{C}$

PACKING:

TUBE
FOR COMPLETE SPECIFICATION, SEE COMPONENT SPECIFICATION C029XX (LATEST ISSUE)



ORDER CODE:

M50-311XX42

No. OF CONTACTS PER ROW: 03 TO 50

FINISH: GOLD FLASH ON CONTACTS,
100% TIN ON TAIL

HARWIN

www.harwin.com
technical@harwin.com

THIS DRAWING AND ANY INFORMATION OR DESCRIPTIVE MATTER SET OUT HEREON ARE CONFIDENTIAL AND COPYRIGHT PROPERTY OF THE HARWIN GROUP AND MUST NOT BE DISCLOSED, LOANED, COPIED OR USED FOR MANUFACTURING, TENDERING OR FOR ANY OTHER PURPOSE WITHOUT THEIR WRITTEN PERMISSION.

TOLERANCES
X = $\pm 1\text{mm}$
X.X = $\pm 0.50\text{mm}$
X.XX = $\pm 0.10\text{mm}$
X.XXX = $\pm 0.01\text{mm}$
ANGLES = $\pm 5^{\circ}$
UNLESS STATED

MATERIAL:

SEE ABOVE

FINISH:

SEE ABOVE

S/AREA:

mm²

TITLE:

1.27mm PITCH DIL VERTICAL
SMT SOCKET ASSY WITH POSTS

DRAWING NUMBER:

M50-311XX42

SB	9	31.05.16	13323
NAME	ISS.	DATE	C/NOTE
APPROVED:		S.BENNETT	
CHECKED:		M.PERREN	
DRAWN:		S.BENNETT	
CUSTOMER REF.:			
ASSEMBLY DRG:			

NOTES:

1. ALL TOLERANCES ARE ± 0.25
UNLESS OTHERWISE STATED.