

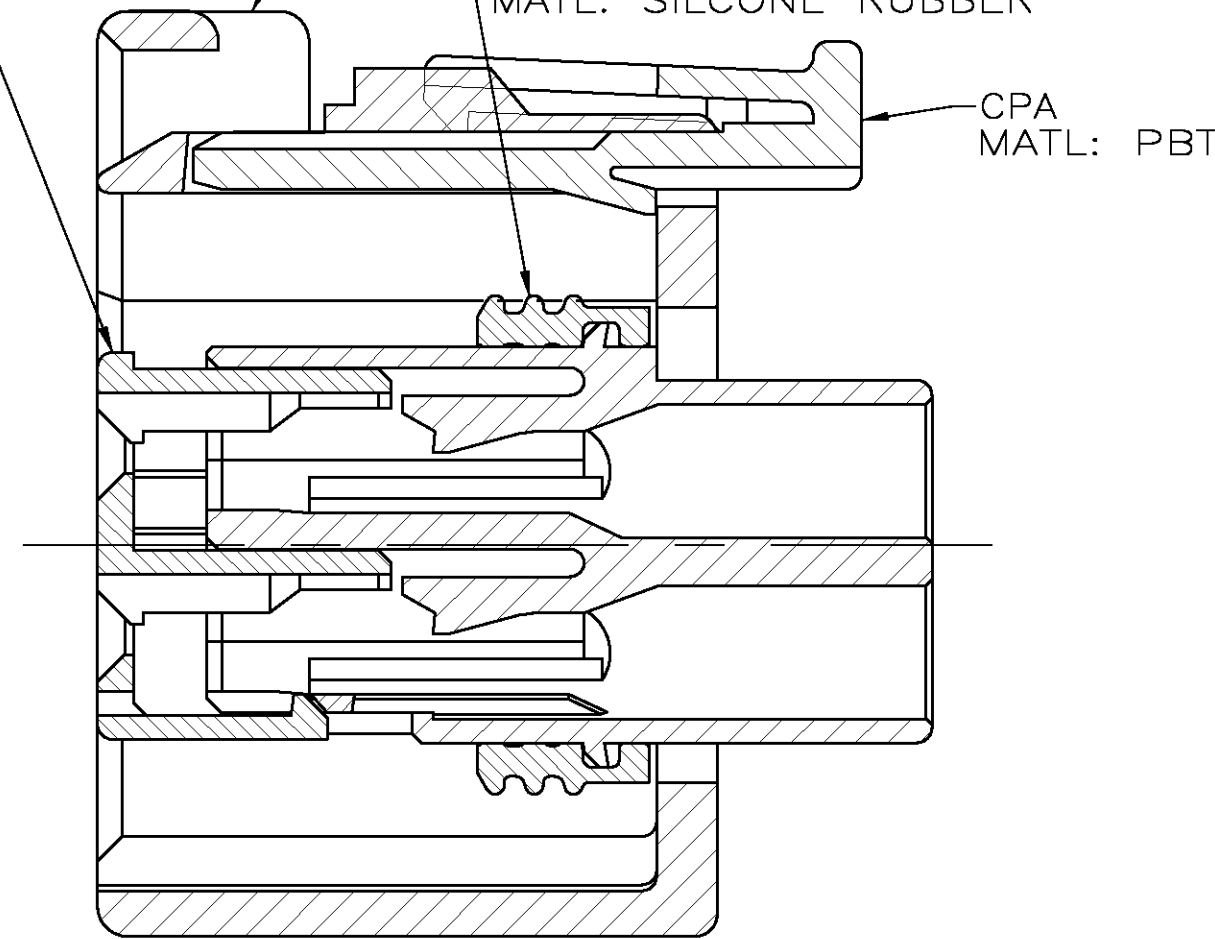
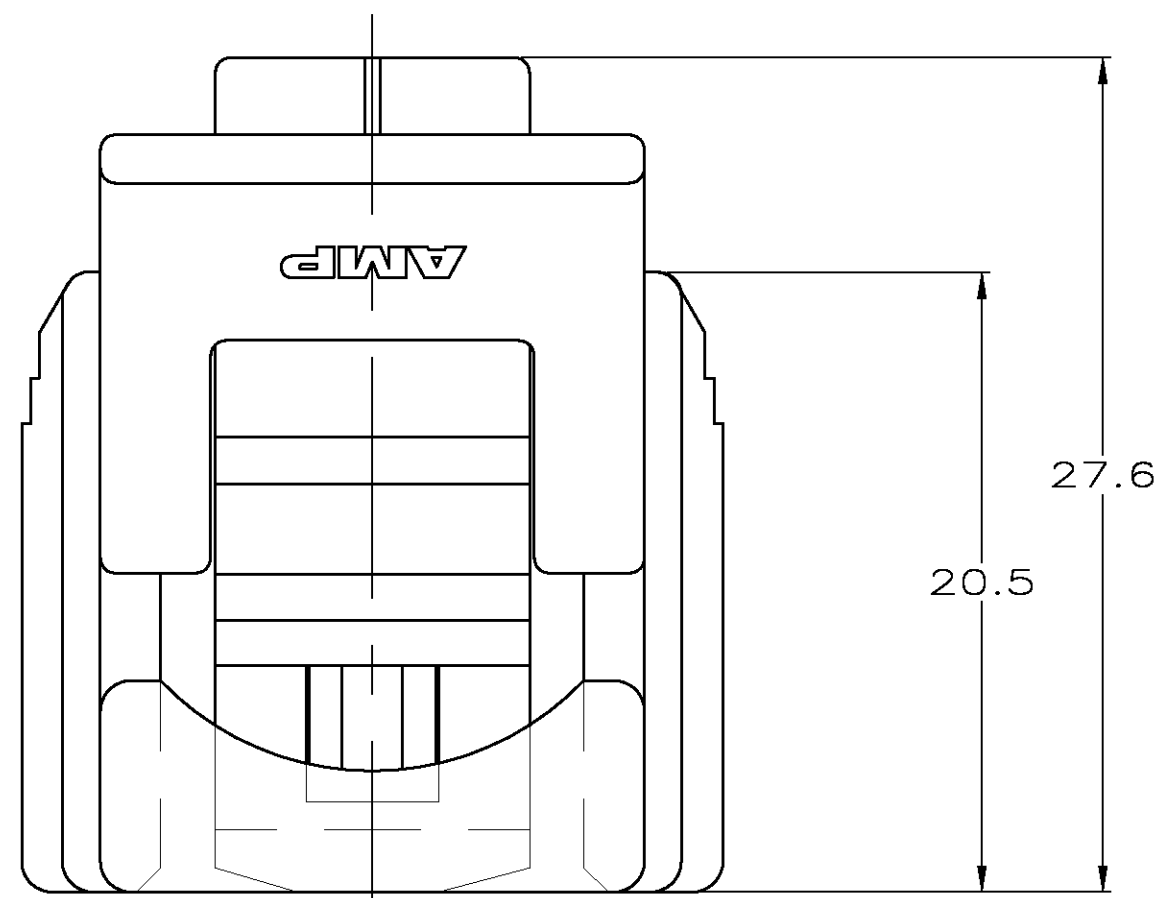
THIS DRAWING IS UNPUBLISHED. RELEASED FOR PUBLICATION
 © COPYRIGHT BY TYCO ELECTRONICS CORPORATION. ALL INTERNATIONAL RIGHTS RESERVED.

LOC	DIST	REVISIONS			
P	LTR	DESCRIPTION	DATE	DWN	APVD
GE	00				
G		REVISED PER ECR-09-008507	09APR2009	DD	MB

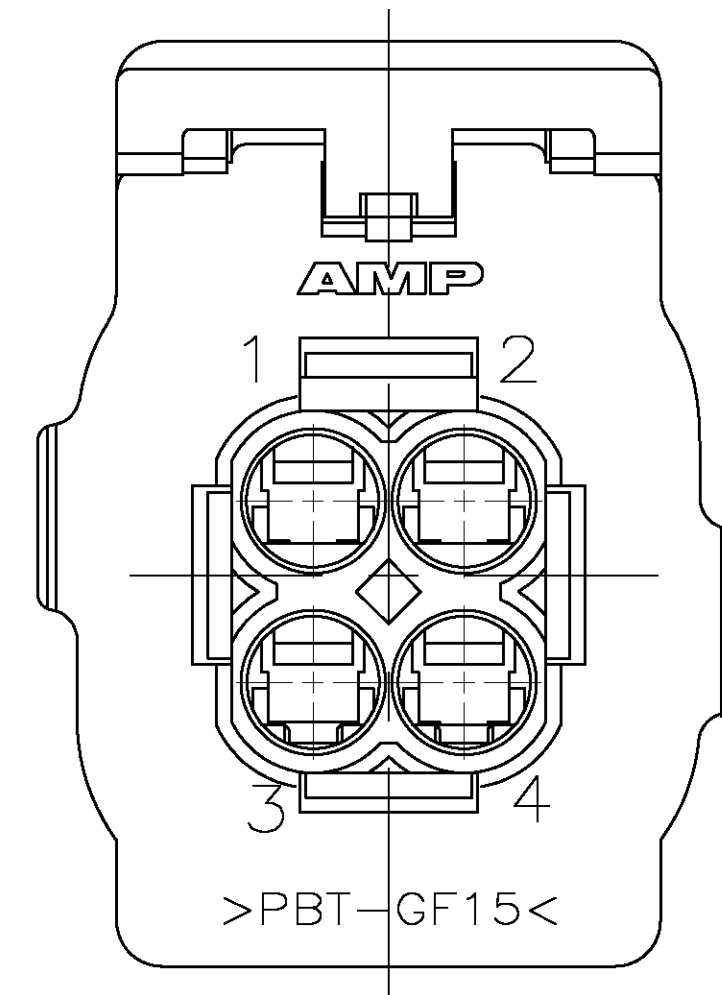
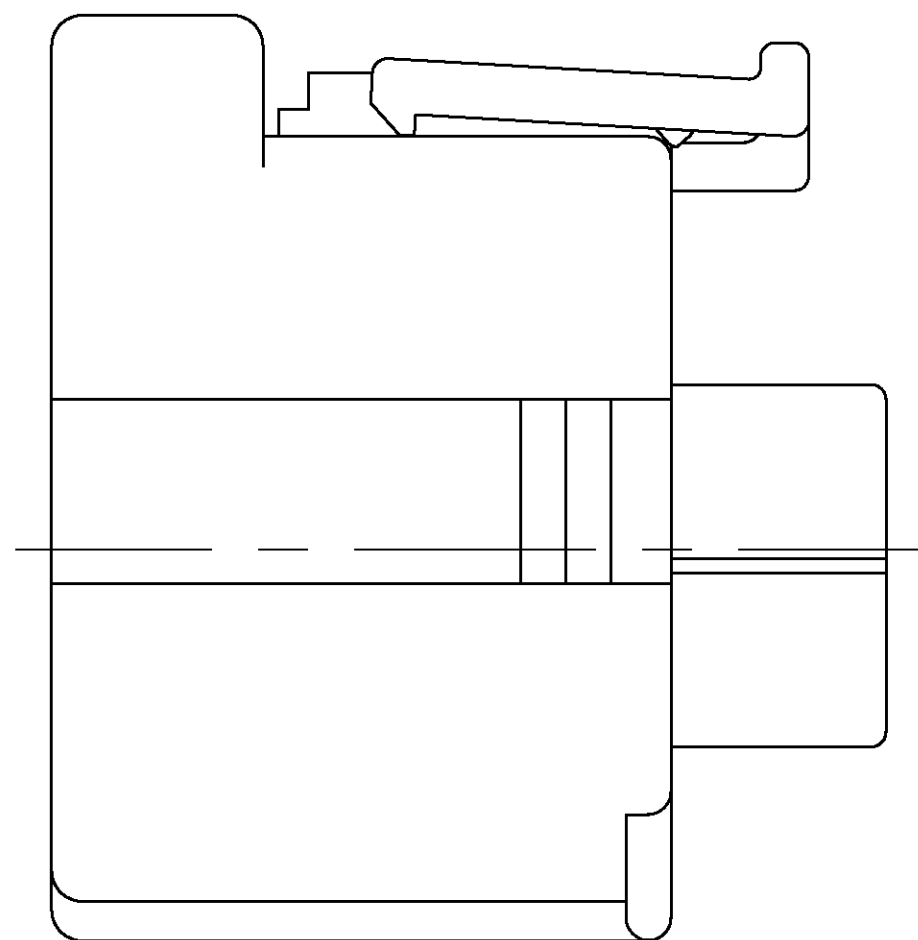
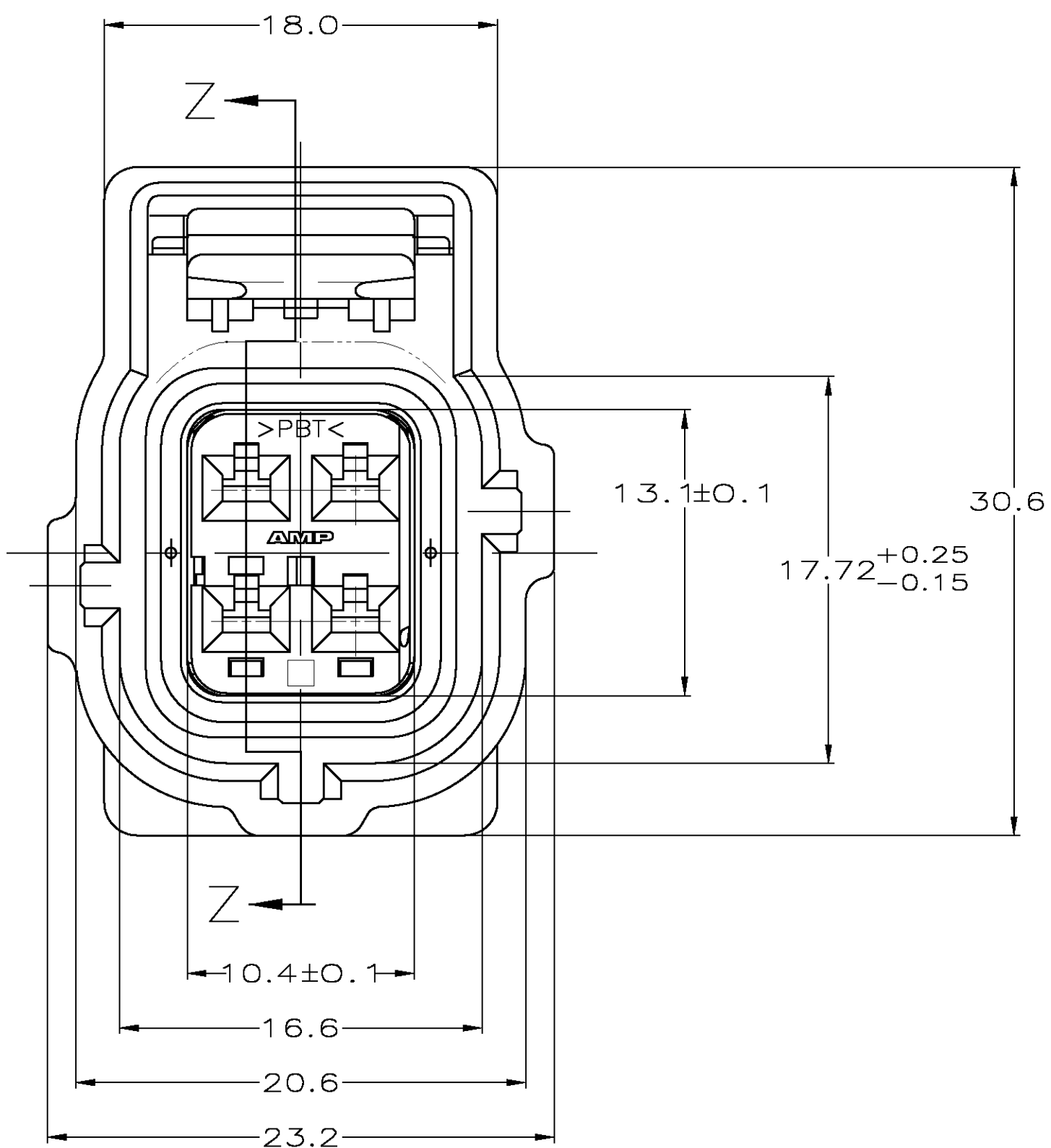
DBL LOCK PLATE
 MATL: PBT, 15%
 GLASS FILLED

PLUG HOUSING
 MAT'L: PBT, 15% GLASS FILLED
 SEAL RING
 MATL: SILICONE RUBBER

CPA
 MATL: PBT



SECTION Z-Z
 SCALE 4:1



BLACK	184349-1
PLUG COLOR	PART NUMBER

THIS DRAWING IS A CONTROLLED DOCUMENT.		DWN P. YEAGER 02AUG99	Tyco Electronics Corporation Harrisburg, PA 17105-3608	
DIMENSIONS: mm		CHK G. INHOFFER 02AUG99	NAME	
TOLERANCES UNLESS OTHERWISE SPECIFIED:		APVD G. INHOFFER 02AUG99	PRODUCT SPEC	
0 PLC ± -		APPLICATION SPEC		
1 PLC ± 0.3		WEIGHT		
2 PLC ± 0.15		SIZE		
3 PLC ± -		CAGE CODE		
4 PLC ± -		DRAWING NO		
ANGLES ± -		RESTRICTED TO		
FINISH		A2 00779 C=184349		
MATERIAL		CUSTOMER DRAWING		
		SCALE 4:1 SHEET 1 of 1 REV G		