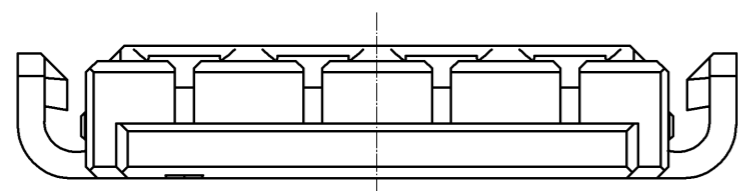
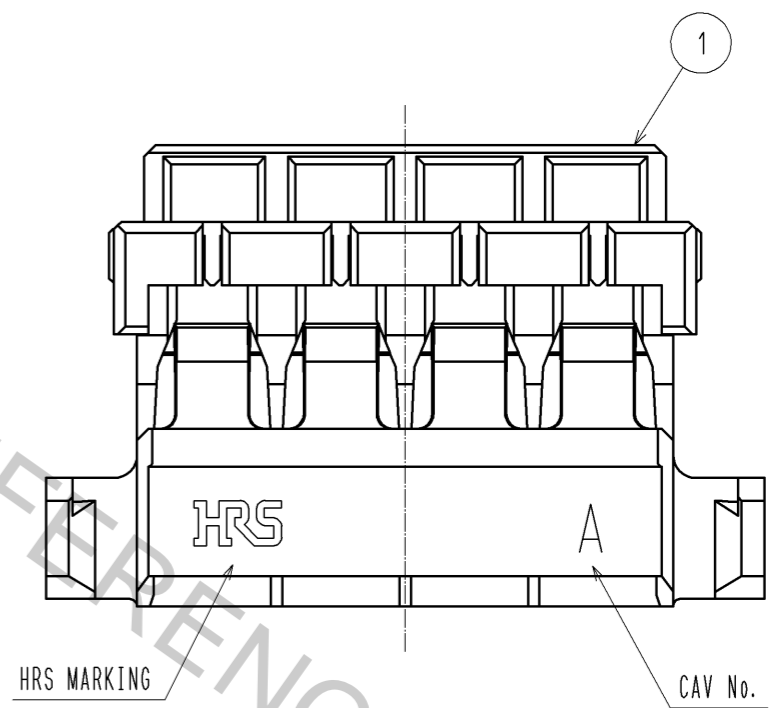
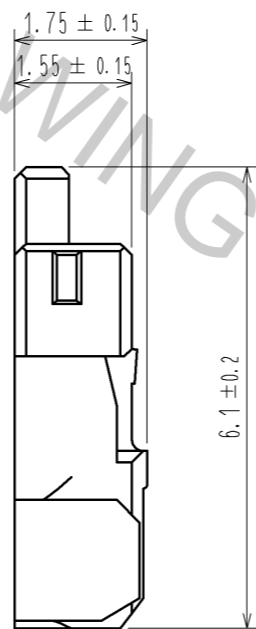
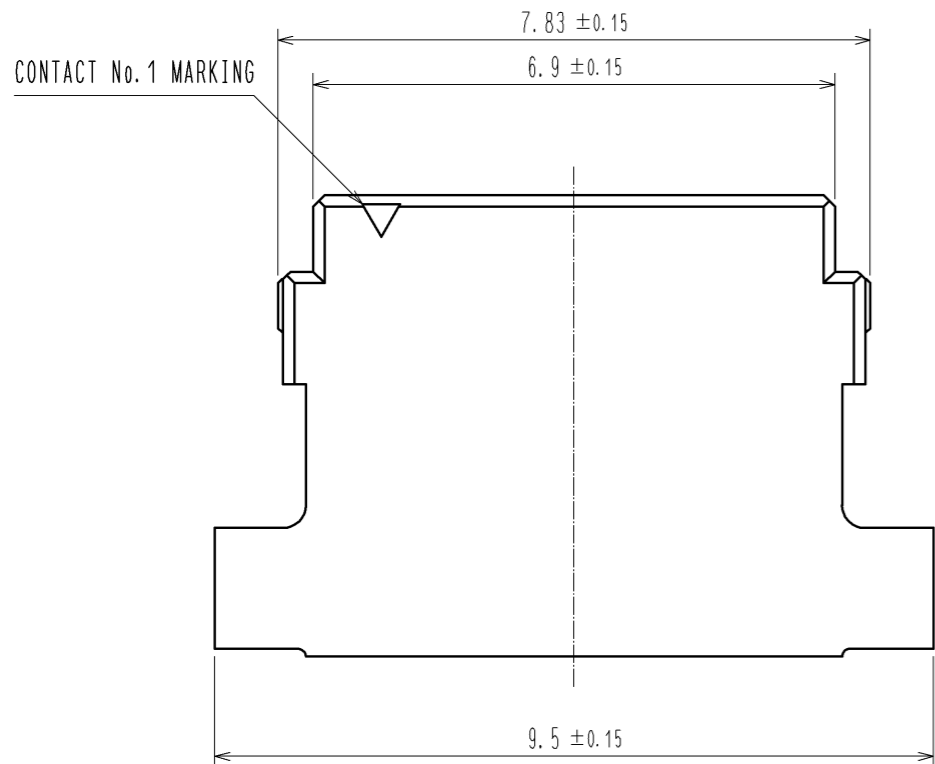
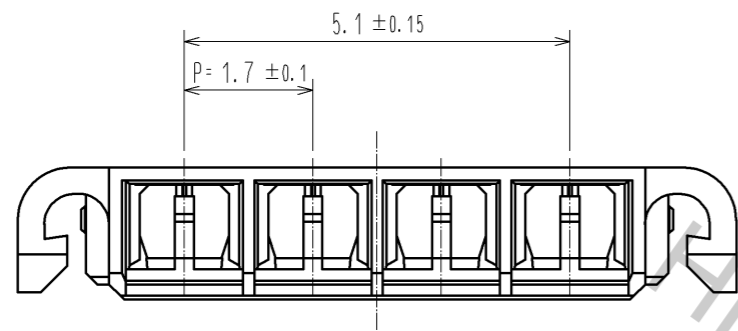


Apr.1.2017 Copyright 2017 HIROSE ELECTRIC CO., LTD. All Rights Reserved.



NO.	MATERIAL	FINISH . REMARKS	NO.	MATERIAL	FINISH . REMARKS
1	LCP			UL94V-0. NATURAL	
UNITS		SCALE	COUNT	DESCRIPTION OF REVISIONS	DESIGNED
mm		10 : 1			CHECKED
				DATE	
HRS HIROSE ELECTRIC CO., LTD.			APPROVED : KI. AKIYAMA	14. 01. 15	DRAWING NO. EDC3-351455-00
			CHECED : OM. MIYAMOTO	14. 01. 15	PART NO. DF65-4S-1.7C
			DESIGNED : TT. OHSAKO	14. 01. 14	CODE NO. CL666-6007-3-00
			DRAWN : TT. OHSAKO	14. 01. 14	