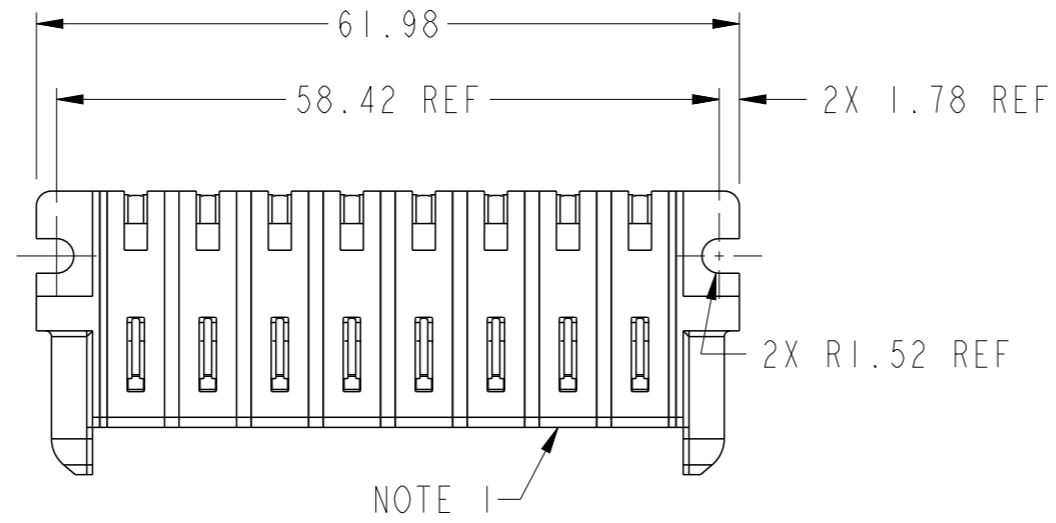
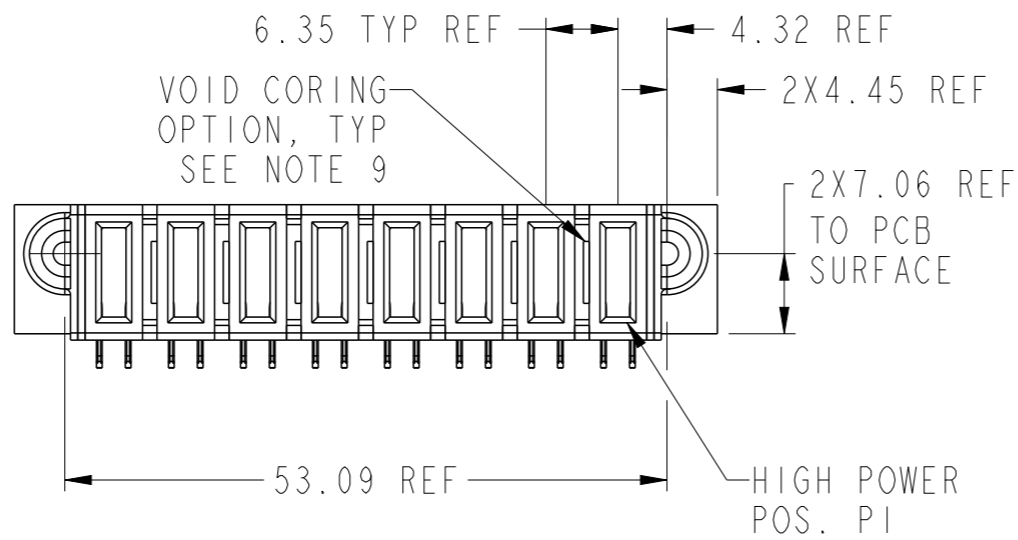


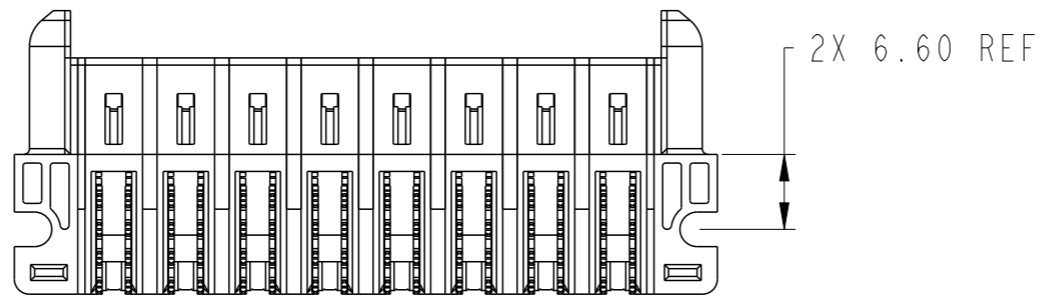
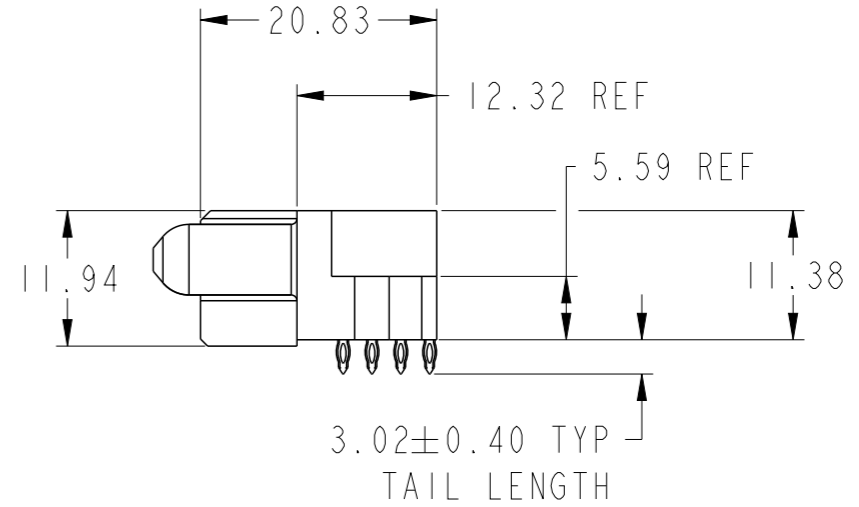
PRODUCT NUMBER SEE SHEET 2



NOTE 1



VOID CORING  
OPTION, TYP  
SEE NOTE 9

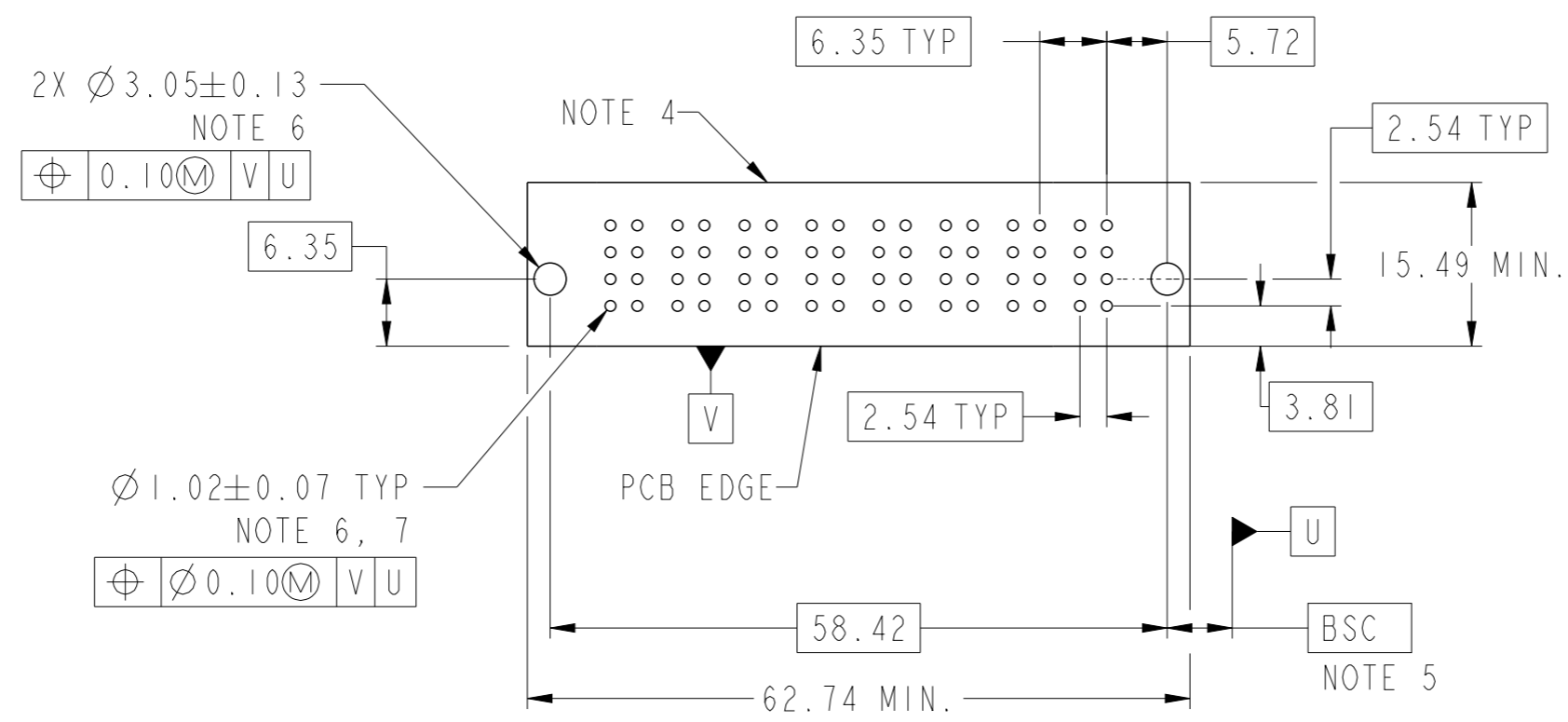


Copyright FCI.

spec ref	*	dr	Eddy Zeng	2014/01/25	projection	MM	size	A3	scale	3:2		
tolerance std	ASME Y14.5	eng	Xie Bob	2014/02/17			ecn no		-			
TOLERANCES UNLESS OTHERWISE SPECIFIED		chr	Li-He	2014/02/17			product family		PwrBlade+	rel level		Released
surface	✓	appr	Pei-Ming Zheng	2014/02/17	product family		PwrBlade+	rel level		Released		
ASME Y14.5	linear	0.X	±0.5		title		8HP	dwg no 10106127-8000001	rev		A	
		0.XX	±0.25		RA PF RECEPTACLE		cat. no.		Product - Customer Drw		sheet 1 of 3	
	angular	0°	±2°		www.fci.com		PDS: Rev :A		STATUS:Released		Printed: Feb 17, 2014	

PRODUCT NO.	ROWS	HIGH POWER									
		E1	P8	P7	P6	P5	P4	P3	P2	P1	E2
10106127-8000001LF	DCBA										

CODE	DESCRIPTION
H7	STD HIGH POWER CONTACT(3.02)



dr	Eddy Zeng	2014/01/25	projection 	MM ←→	size	A3	scale	3:2
eng	Xie Bob	2014/02/17			ecn no	-		
chr	Li-He	2014/02/17			rel level	Released		
appr	Pei-Ming Zheng	2014/02/17	product family	PwrBlade+				
	title	8HP RA PF RECEPTACLE	dwg no	10106127-8000001	rev	A		
www.fci.com	cat. no.	Product - Customer Drw	sheet 2 of 3					

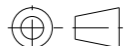
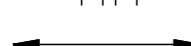

Copyright FCI.

NOTES:

- 1) "FCI", PART NUMBER AND DATE CODE TO BE MARKED ON THIS SURFACE.  
THE MARK CAN BE OMITTED IF THERE IS NOT ENOUGH SPACE ON THIS SURFACE.
- 2) MATERIALS:  
-HOUSING - GLASS FILLED WITH HIGH TEMP THERMOPLASTIC, UL94V-0.  
-SIGNAL CONTACT - COPPER ALLOY.  
-POWER CONTACT - HIGH CONDUCTIVITY COPPER ALLOY.
- 3) PLATING SPECIFICATION REFER TO FCI 10116351
- 4) DENOTES CONNECTOR KEEP OUT ZONE.
- 5) DATUM AND BASIC DIMENIONS WERE ESTABLISHED BY CUSTOMER.
- 6) ALL HOLE DIAMETERS ARE FINISHED HOLE SIZES.
- 7)  $1.15 \pm 0.025$ MM DRILLED HOLE PLATED WITH  $0.00762$ MM MIN Sn  
OVER  $0.0254-0.0762$ MM Cu PLATING TO ACHIEVE A  $1.02 \pm 0.07$ MM HOLE.
- 8) PRODUCT SPECIFICATION REFER TO FCI GS-12-658.  
APPLICATION SPECIFICATION REFER TO FCI GS-20-141.  
PRODUCT PACKAGED IN TRAYS, REFER TO FCI GS-14-1502.
- 9) THE VOID CORING IN BETWEEN POWER MODULES, SIGNAL  
MODULES AND END MODULES ARE OPTIONAL AND THE SHAPE  
MAY BE DIFFERENT FOR OPTIMIZE THE MOLDING PROCESS. THE  
VOID CORING WILL NOT EFFECT TO PRODUCT FUNCTION.



Copyright FCI.

dr	Eddy Zeng	2014/01/25			size	A3	scale	3:2
eng	Xie Bob	2014/02/17			ecn no	-		
chr	Li-He	2014/02/17			rel level	Released		
appr	Pei-Ming Zheng	2014/02/17			product family	PwrBlade+		
		title	8HP RA PF RECEPTACLE		dwg no 10106127-8000001	rev	A	
www.fci.com		cat. no.	Product - Customer Drw		sheet 3 of 3			