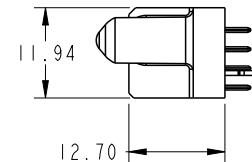
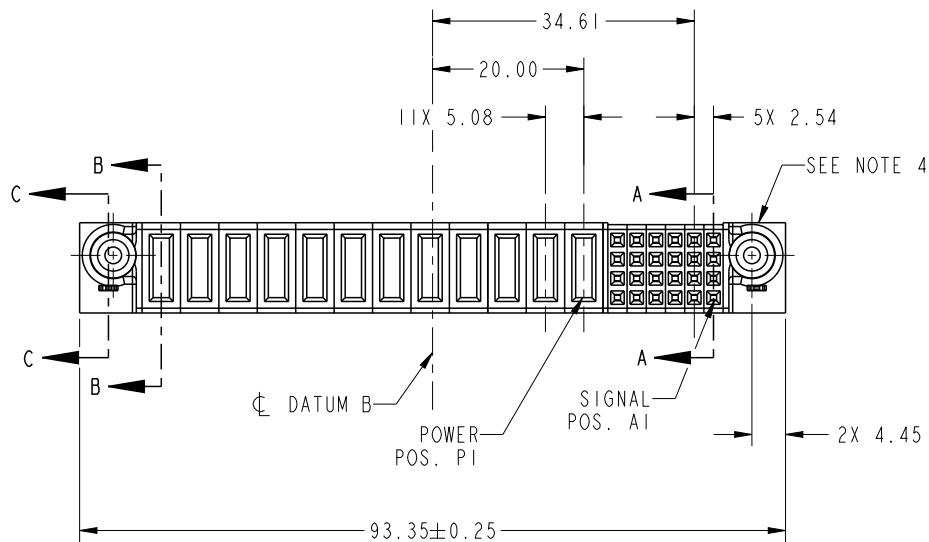


PRODUCT NO. 51940-431-- NOTE: 3	ROWS DCBA	POWER												SIGNAL						E1
		E2	P12	P11	P10	P9	P8	P7	P6	P5	P4	P3	P2	P1	6	5	4	3	2	

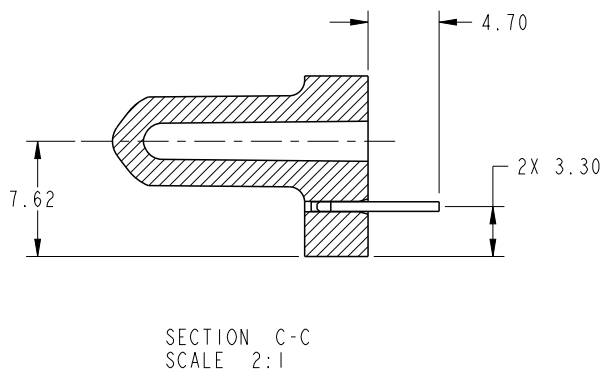
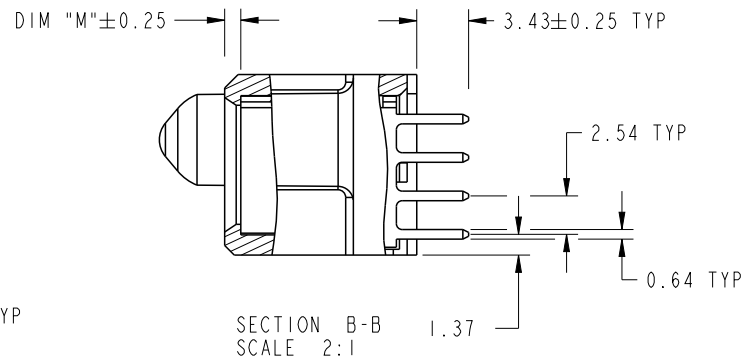
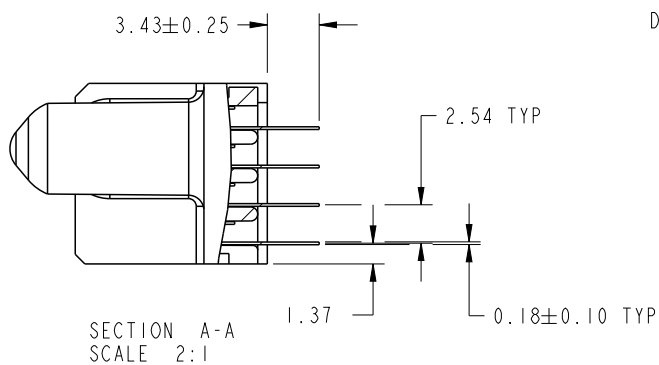


CODE	DIM "M" MATING LENGTH	CONTACT TYPE
E	[N/A]	SIGNAL
PA	[1.07]	POWER
HA	[N/A]	HOLD-DOWN

spec ref	*	dr	X Q Wang	2012/06/06	projection	MM	size	A4	scale	1:1	
tolerance std	TOLERANCES UNLESS OTHERWISE SPECIFIED	eng	Ruan MT	2013/02/27			ecn no	-	rel level		Released
SEE NOTE		chr	-	-			product family	PwrBlade			
surface	linear	appr	Pei-Ming Zheng	2013/02/27	www.fci.com		part no	24S + 12P		rev	A
	angular				cat. no.		dwg no	51940-431		sheet 1 of 4	

PRODUCT NUMBER

51940-431__
NOTE: 3



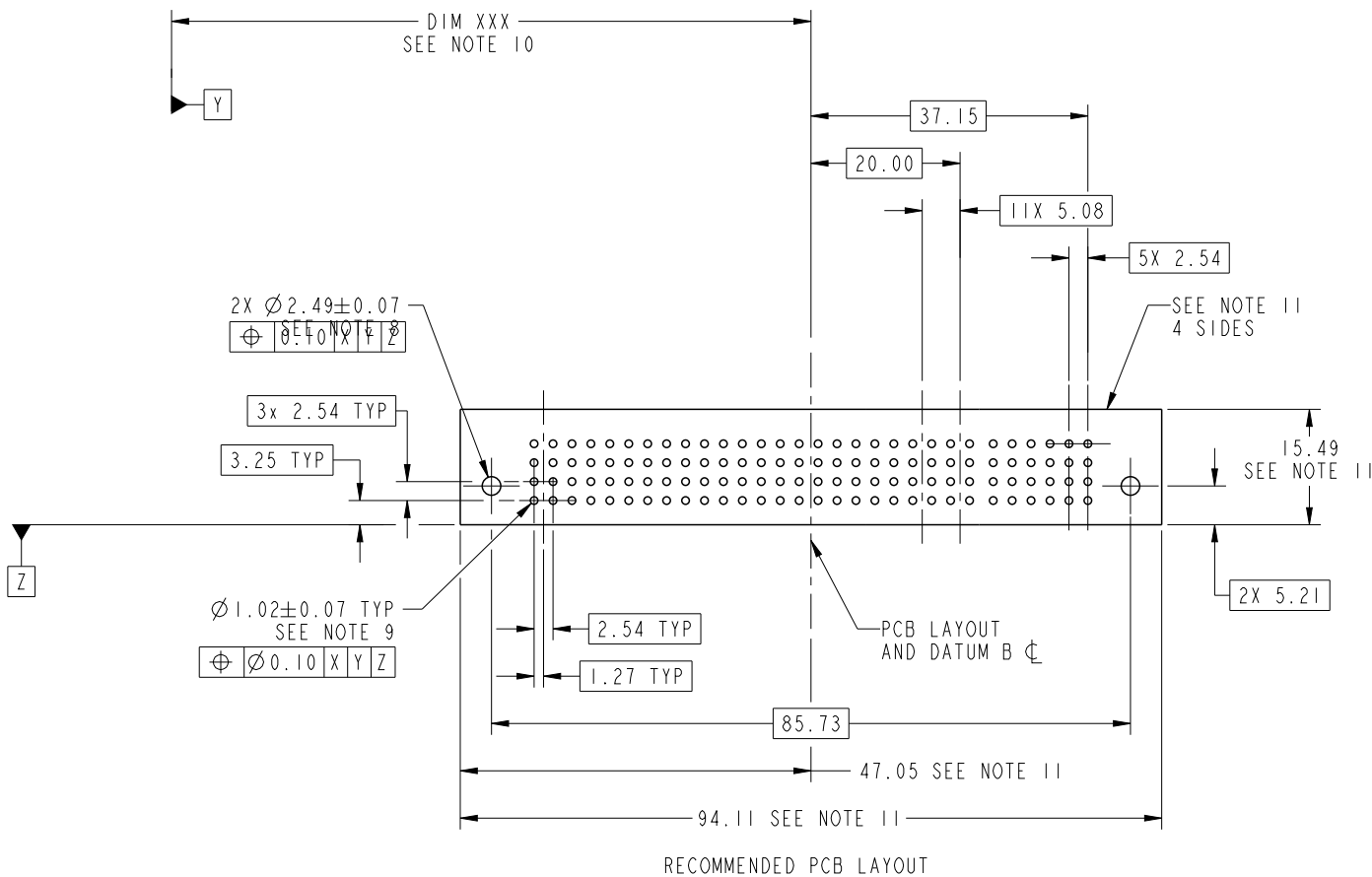
dr	X Q Wang	2012/06/06	projection 	MM 	size	A4	scale	1:1
eng	Ruan MT	2013/02/27			ecn no	-		
chr	-	-			rel level	Released		
appr	Pei-Ming Zheng	2013/02/27	product family	PwrBlade	rev	A		
		title 24S + 12P VERTICAL SOLDER RECEIPT	dwg no 51940-431	cat. no. *	Product - Customer Drw	sheet 2 of 4		



Copyright FCI.

PRODUCT NUMBER

51940-431--
NOTE: 3



dr	X Q Wang	2012/06/06	projection 	MM ←→	size	A4	scale	1:1
eng	Ruan MT	2013/02/27			ecn no	-		
chr	-	-			rel level	Released		
appr	Pei-Ming Zheng	2013/02/27	product family	PwrBlade	rev	A		
	title	24S + 12P VERTICAL SOLDER RECEPT		dwg no	51940-431			
www.fci.com	cat. no.	*	Product - Customer Drw		sheet 3 of 4			

PRODUCT NUMBER

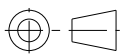
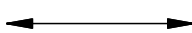

51940-431--
NOTE: 3

NOTES:

1. DIMENSIONS AND TOLERANCES ARE IN ACCORDANCE WITH ASME Y14.5M, 1994 UNLESS OTHERWISE SPECIFIED.

CONNECTOR NOTES:

- 2 HOUSING MATERIAL: UL 94 V-0 GLASS FILLED HIGH-TEMP THERMOPLASTIC
POWER CONTACT MATERIAL: COPPER ALLOY
SIGNAL PIN MATERIAL: COPPER ALLOY
- 3. SEE ITEM 5 & 6 IN PRINT 10064183 FOR PLATING SPEC OF 51940-431 AND 51940-431LF RESPECTIVELY.
- 4 MANUFACTURER'S NAME, DATE CODE AND OPTIONAL P/N TO APPEAR ON THIS SURFACE. THE P/N CAN BE OMITTED IF THERE IS NOT ENOUGH SPACE ON THIS SURFACE.
- 5. PRODUCT SPECIFICATION GS-12-149.
APPLICATION SPECIFICATION BUS-20-067.
- 6. PACKAGED IN TRAYS.
- PCB NOTES:
- 7. ALL HOLE DIAMETERS ARE FINISHED HOLE SIZE.
- 8 MOUNTING HOLES, WHERE APPLICABLE, ARE UNPLATED.
- 9 $\varnothing 1.151 \pm 0.025$ DRILLED HOLES PLATED WITH
0.008 MIN SnPb OR Sn OVER 0.03
TO 0.08 Cu PLATING TO ACHIEVE
 $\varnothing 1.02 \pm 0.07$ HOLE.
- 10 "DIM XXX" TO BE DETERMINED BY THE CUSTOMER.
- 11 CONNECTOR KEEP-OUT ZONE.
- 12. THE VOID CORING IN BETWEEN POWER MODULES, SIGNAL MODULES AND END MODULES ARE OPTIONAL AND THE SHAPE MAY BE DIFFERENT FOR OPTIMIZE THE MOLDING PROCESS. THE VOID CORING WILL NOT EFFECT TO PRODUCT FUNCTION.

dr	X Q Wang	2012/06/06	projection 	MM 	size	A4	scale	1:1
eng	Ruan MT	2013/02/27			ecn no	-		
chr	-	-			rel level	Released		
appr	Pei-Ming Zheng	2013/02/27	product family	PwrBlade	rev	51940-431	A	
		title 24S + 12P VERTICAL SOLDER RECEPT	dwg no	sheet 4 of 4				
www.fci.com	cat. no.	*	Product - Customer Drw	sheet 4 of 4				