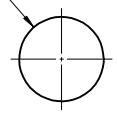
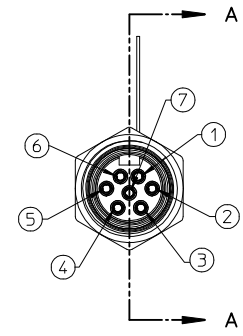
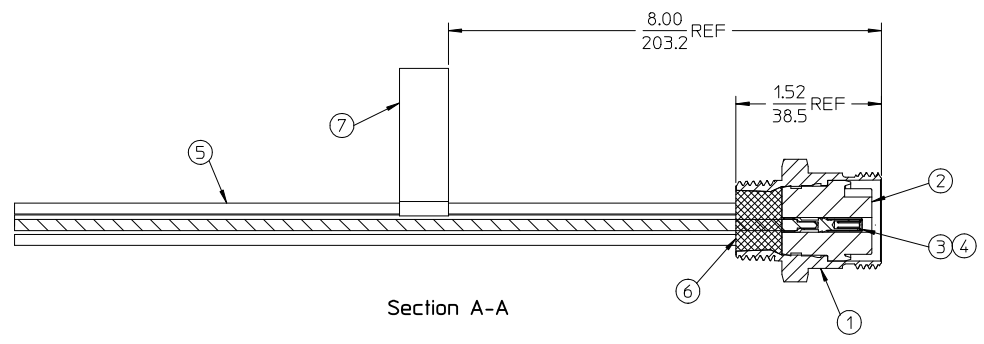
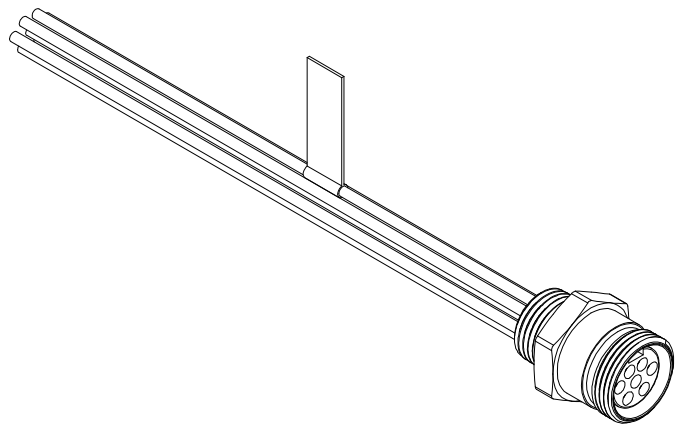
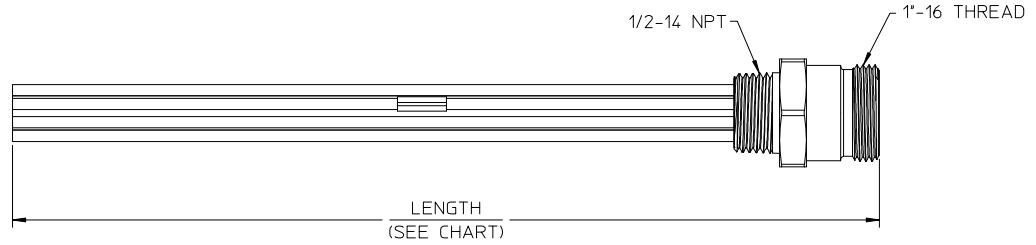


MATERIAL NO.	ENGINEERING NO.	LENGTH
1300140037	2R7004A20A120	12' +.75-0 [305mm +19.0-0]
1300140042	2R7004A20F060	6'0' +2.19-0 [1.8M +55.6-0]

φ .88  
22.4



REF. KNOCK-OUT HOLE



1	WHITE/BLACK
2	BLACK
3	WHITE
4	RED
5	ORANGE
6	BLUE
7	GREEN/YELLOW-GND

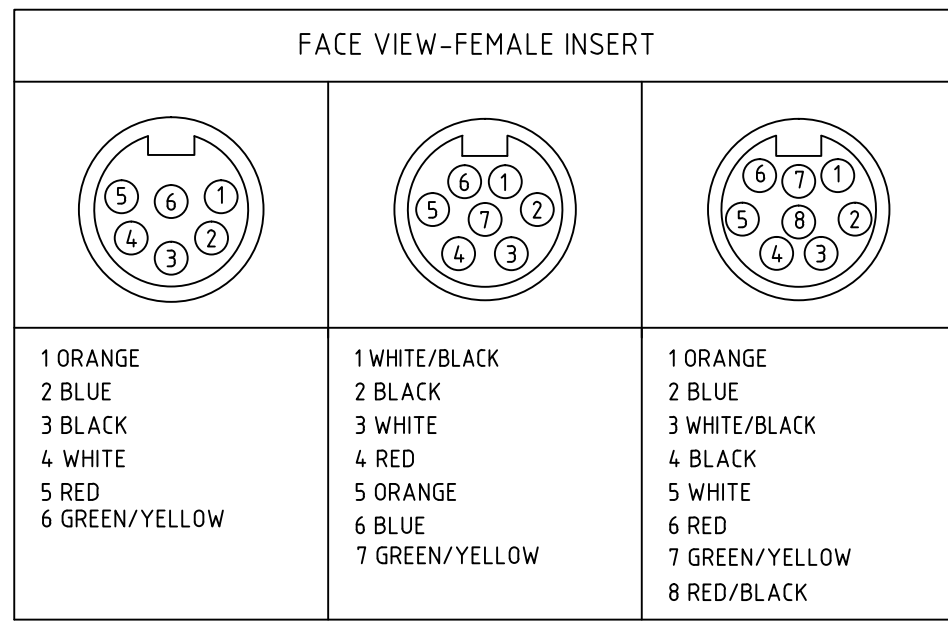
- NOTES:  
 1. MATERIAL: SEE TABLE  
 2. FINISHES: SEE TABLE  
 3. MATES WITH: 7/C MINI-CHANGE CORD ASSY.  
 4. ELECTRICAL SPECIFICATIONS:  
     VOLTAGE RATING: 600V AC/DC  
     CURRENT RATING: 8 AMPS  
 5. RoHS COMPLIANT

7	1	LABEL	PLASTIC FILM	BLACK/YELLOW
6	1	POTTING	EPOXY	
5	7	WIRE, 16 AWG (UL 1015)	PVC INSULATED	SEE WIRE DIAGRAM
4	7	SOCKET SLEEVE	ST.STEEL	
3	7	CONTACT SOCKET	BRASS	GOLD PLATED
2	1	INSERT	PVC	YELLOW
1	1	RECEPTACLE SHELL	ZINC ALLOY	E-COAT, BLACK
ITEM	QTY.	DESCRIPTION	MATERIAL	FINISH

RELEASED	EC NO: WNA2009-0813	2009/06/09
DRWN:BRUPERT	CHKD:BRUPERT	APPR:JFMURPHY
DESCRIPTION	2009/06/10	
REV	A	

QUALITY SYMBOLS	▽=0	
▽=0		
GENERAL TOLERANCES (UNLESS SPECIFIED)		
	mm	INCH
4 PLACES	± .005	± .0005
3 PLACES	± .005	± .0005
2 PLACES	± .01	± .001
1 PLACE	± 0.3	± .012
ANGULAR ±1/2°		
DRAFT WHERE APPLICABLE MUST REMAIN WITHIN DIMENSIONS		

DIMENSION STYLE		SCALE	DESIGN UNITS	THIRD ANGLE PROJECTION
IN/MM		1:1	INCH	
DRAWN BY	DATE	TITLE		
BRUPERT	06/05/2009	MINI-CHANGE RECEPTACLE FEMALE, 7 POLE 1/2 IN NPT		
CHECKED BY	DATE	MOLEX INCORPORATED		
B. WOODMAN	06/05/2009	SD-130014-006		
APPROVED BY	DATE	SHEET NO.		
J. MURPHY	06/05/2009	1 OF 1		
MATERIAL NO.	SEE CHART	THIS DRAWING CONTAINS INFORMATION THAT IS PROPRIETARY TO MOLEX INCORPORATED AND SHOULD NOT BE USED WITHOUT WRITTEN PERMISSION		
SIZE	C			



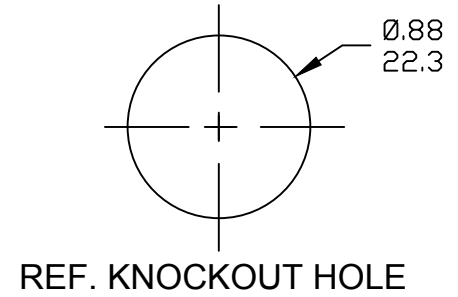
### PART NUMBER LEGEND

2R7004A20M010

↑ POLES 6-8

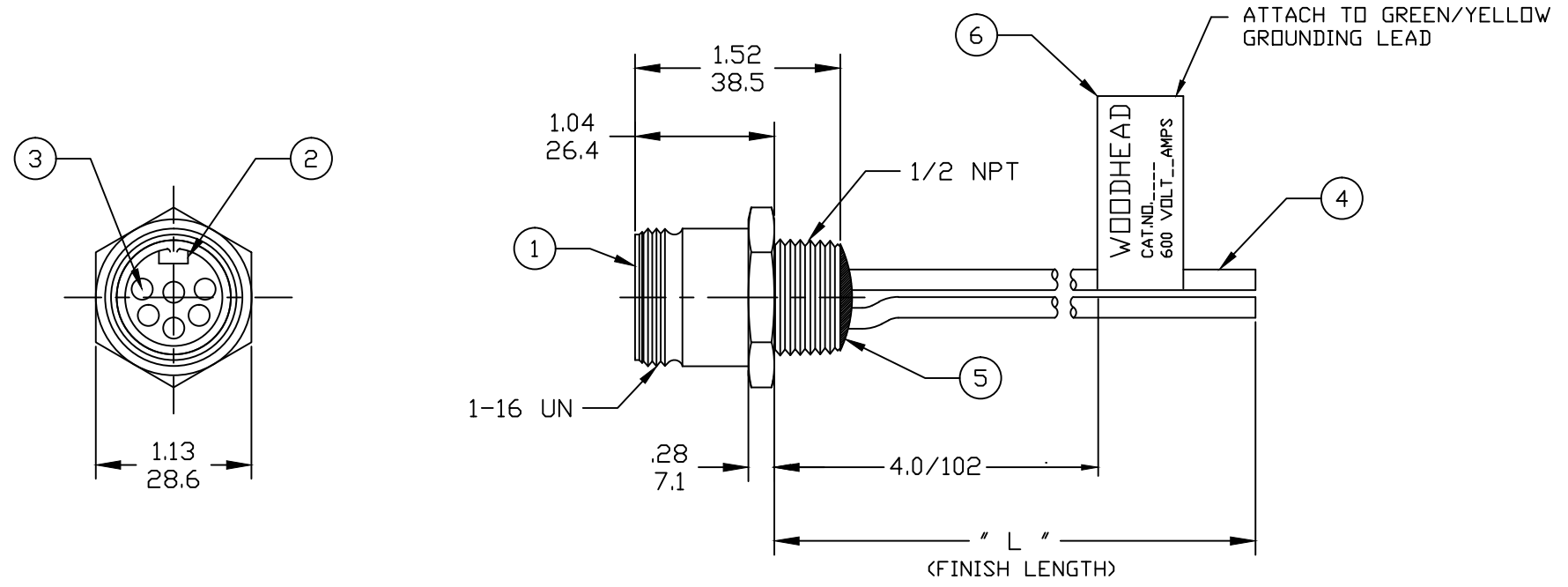
↑ FINISHED LENGTH:  
 A120= 12 IN.  
 F020= 2 FEET  
 F100= 10 FEET

M005= 0.5 METER  
 M010= 1 METER  
 M100= 10 METER



**NOTES:**

- MATERIAL: AS NOTED
- FINISH: AS NOTED
- ELECTRICAL:  
 VOLTAGE: 6 THRU 8P 600V PER UL 2238  
 6P 320V PER IEC 60664  
 7 & 8P 250V PER IEC 60664  
 CURRENT: 6 & 7 POLE: 8A  
 8 POLE: 7A
- TEMP RATING: -20°TO +105°C
- PROTECTION: IP67 (WHEN MATED)
- ALL DIMS ARE FOR REFERENCE UNLESS OTHERWISE NOTED



ITEM	COMPONENT	MATERIAL	FINISH
6	LABEL	VINYL	BLACK/YELLOW
5	POTTING	EPOXY	
4	WIRE, 16 AWG, UL 1015	PVC INSUL.	SEE FACE VIEW
3	CONTACT PIN	Cu ALLOY	GOLD PLATED
2	INSERT	PVC	YELLOW
1	RECEPTACLE SHELL	ZINC DIE-CAST	BLACK E-COAT

EC NO: IPG2017-0559 DRWN: RSTONE 2016/12/07 CHKD: M ZIELIN 2016/12/12 APPR: BWOODMAN 2017/01/16	REV DESCRIPTION	QUALITY SYMBOLS ▽=0 ∇=0	GENERAL TOLERANCES (UNLESS SPECIFIED) <table border="1" style="width: 100%; border-collapse: collapse;"> <tr> <th></th> <th>mm</th> <th>INCH</th> </tr> <tr> <td>4 PLACES</td> <td>±---</td> <td>±---</td> </tr> <tr> <td>3 PLACES</td> <td>±---</td> <td>±---</td> </tr> <tr> <td>2 PLACES</td> <td>±---</td> <td>±---</td> </tr> <tr> <td>1 PLACE</td> <td>±---</td> <td>±---</td> </tr> </table>		mm	INCH	4 PLACES	±---	±---	3 PLACES	±---	±---	2 PLACES	±---	±---	1 PLACE	±---	±---	DIMENSION STYLE <b>INCH/MM</b>	SCALE ---	DESIGN UNITS <b>INCH</b>	THIRD ANGLE PROJECTION
		mm	INCH																			
	4 PLACES	±---	±---																			
	3 PLACES	±---	±---																			
2 PLACES	±---	±---																				
1 PLACE	±---	±---																				
			DRAWN BY: RSTONE DATE: 2016/12/07	TITLE <b>MINI-CHANGE RECEPTACLE FEMALE 6 TO 8 POLE 16 AWG</b>																		
			CHECKED BY: M ZIELIN DATE: 2016/12/12	<b>MOLEX INCORPORATED</b>																		
			APPROVED BY: BWOODMAN DATE: 2017/01/16	MATERIAL NO.: ---	DOCUMENT NO.: <b>SD-130014-009</b>	SHEET NO.: <b>1 OF 1</b>																

THIS DRAWING CONTAINS INFORMATION THAT IS PROPRIETARY TO MOLEX INCORPORATED AND SHOULD NOT BE USED WITHOUT WRITTEN PERMISSION