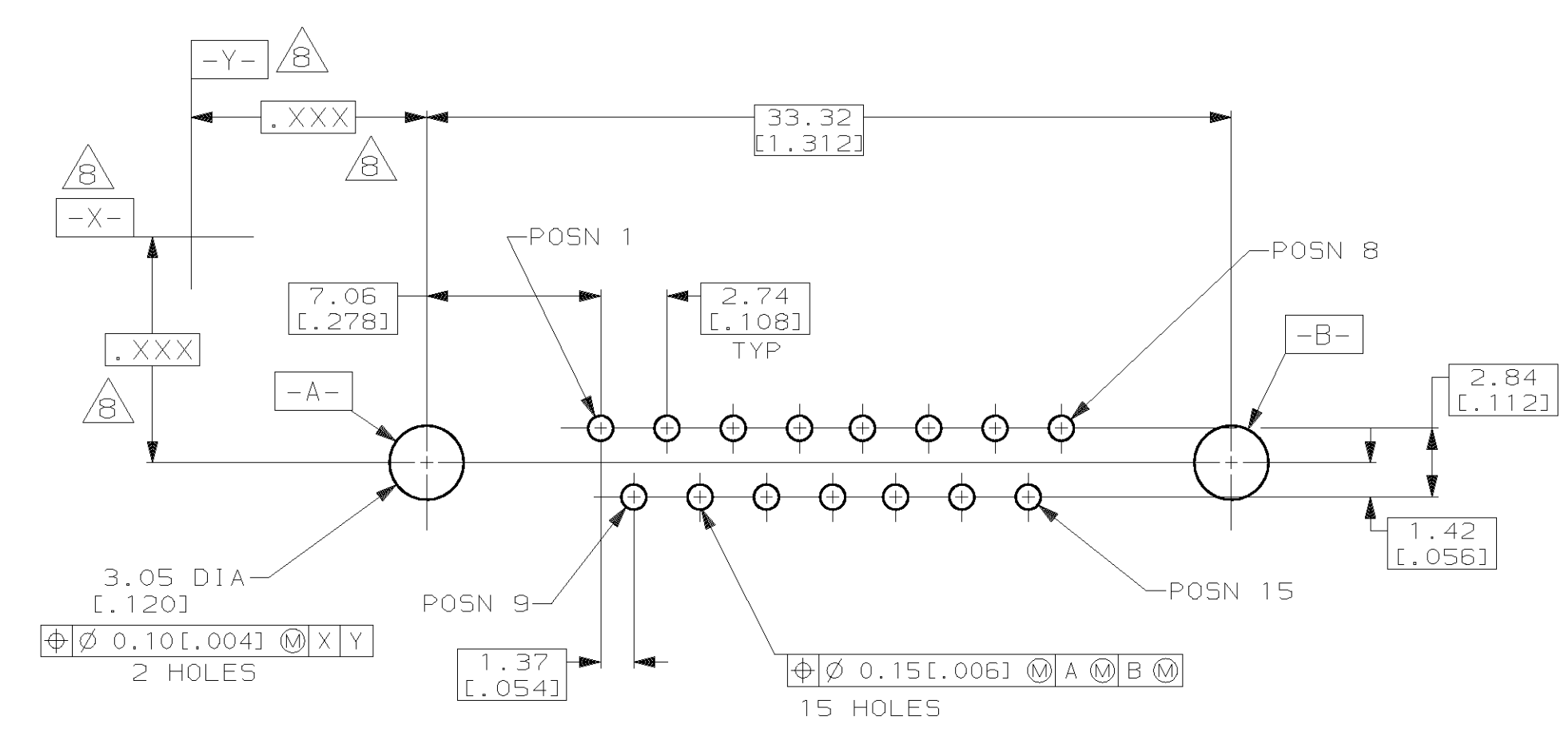
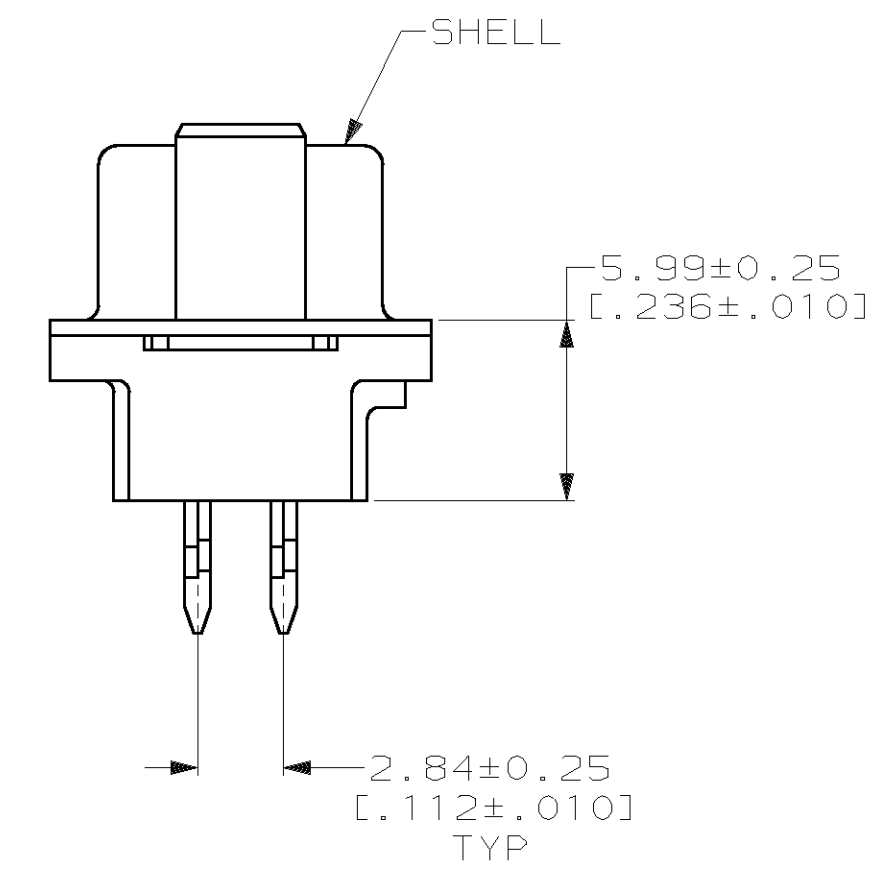
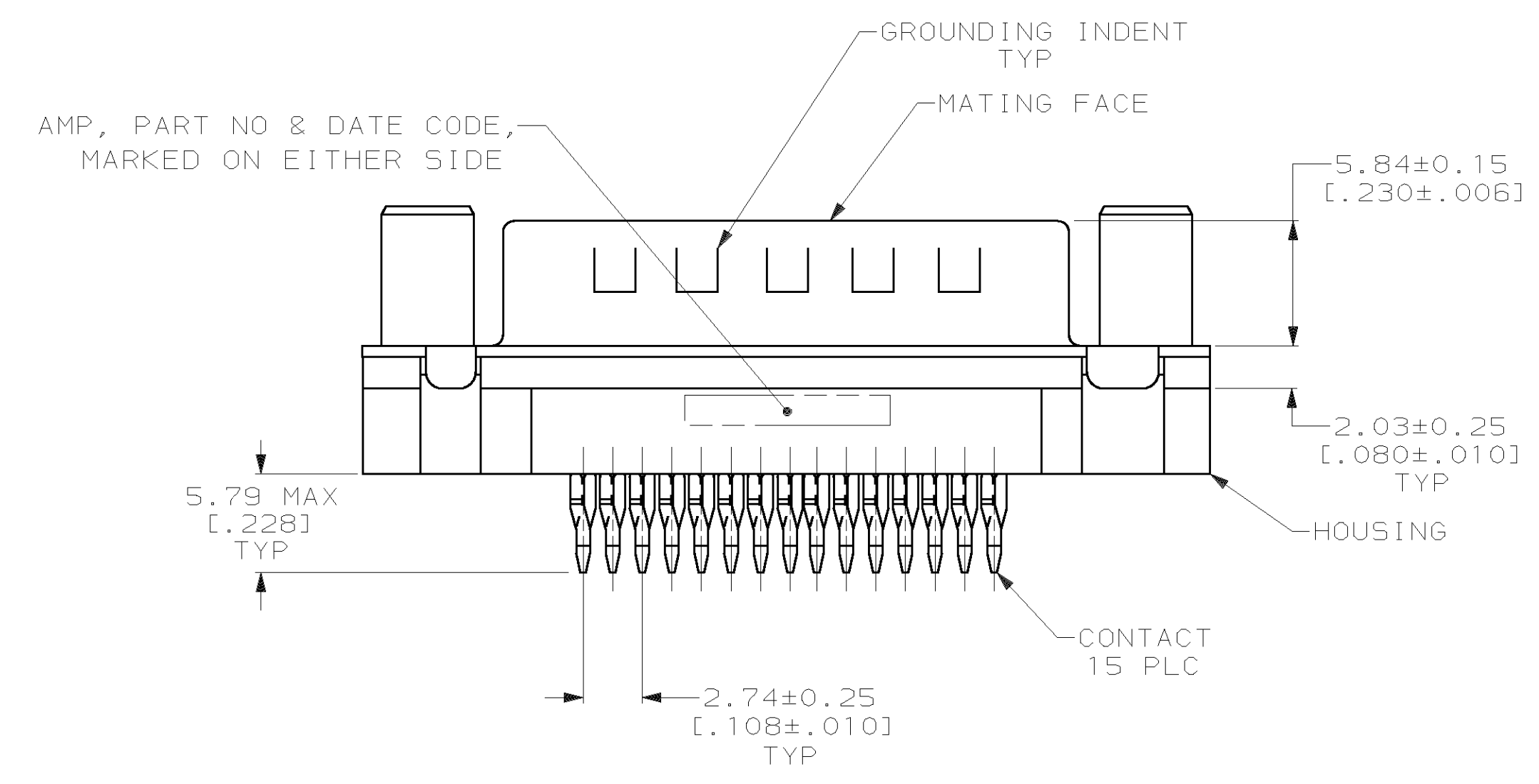
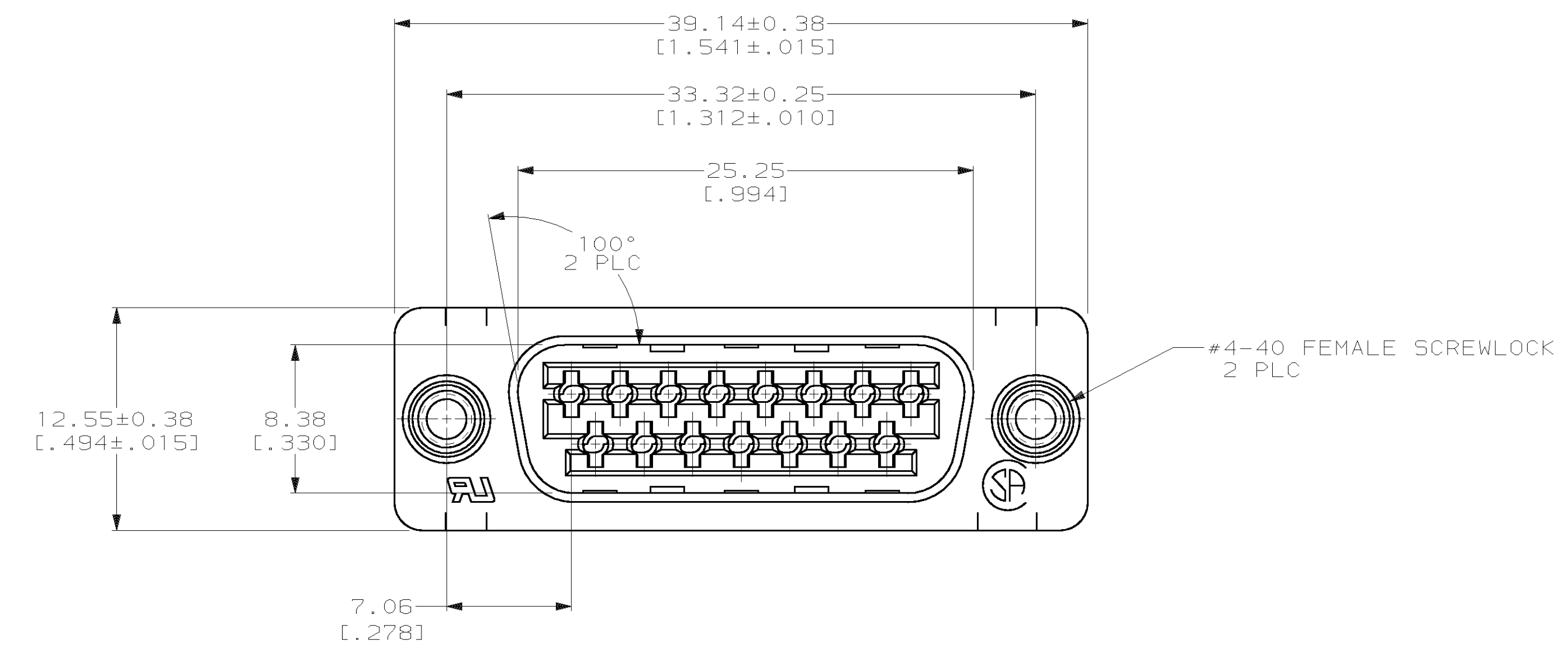


LOC		DIST		REV		REVISIONS		DATE	APPD
BD	77	P	F	ZONE	LTR	DESCRIPTION			
						RLSE -1 NPR 5160, WAS 94-4913-7-1	07/29/94	-	
						REV PER EC 0640-448-98	01 MAR 99	RT	



RECOMMENDED PC BOARD LAYOUT <sup>1</sup>  
 CONNECTOR SIDE OF BOARD

- <sup>1</sup> RECOMMENDATIONS FOR 2.36 [1.093] MIN THICK PC BOARD:
  - A. HOLE DIAMETER AFTER DRILLING = 1.151±0.025 [1.0453±.0010].
  - B. HOLE DIAMETER AFTER TIN-LEAD PLATING = 0.94 [1.037]-1.09 [1.043].
  - C. HOLE DIAMETER AFTER REFLOW = 0.91 [1.036]-1.09 [1.043].
  - D. PC BOARD PLATING TO BE 0.76μm [1.000300] MIN TIN-LEAD OVER 0.05±0.03 [1.002±.001] COPPER.
- <sup>2</sup> NYLON, UL 94V-0 RATED, BLACK.
- <sup>3</sup> COPPER ALLOY PER ASTM B122.
- <sup>4</sup> CARBON STEEL PER ASTM A109.
- <sup>5</sup> GOLD PLATING PER MIL-G-45204; NICKEL PLATING PER QQ-N-290; TIN PLATING PER MIL-T-10727; COPPER PLATING PER MIL-C-14550.
- <sup>6</sup> 5.08μm [1.000200] MIN TIN OVER 2.54μm [1.000100] MIN COPPER.
- <sup>7</sup> GOLD PLATED FOR A LENGTH OF 3.81 [1.50] MIN FROM MATING END, 0.76μm [1.000030] MIN GOLD IN MATED AREA. 2.54μm [1.000100] MIN TIN-LEAD FOR A LENGTH OF 5.79 [1.228] MIN FROM OPPOSITE END, BOTH OVER 1.27μm [1.000050] MIN NICKEL.
- <sup>8</sup> DATUMS AND BASIC DIMENSIONS ESTABLISHED BY CUSTOMER.

THIS DRAWING IS A CONTROLLED DOCUMENT FOR AMP INCORPORATED. IT IS SUBJECT TO CHANGE AND THE CONTROLLING ENGINEERING ORGANIZATION SHOULD BE CONTACTED FOR THE LATEST REVISION.

DO NOT SCALE PRINT. UNLESS SPECIFIED DIMENSIONS IN mm [INCHES] TOLERANCES - ON: 2 PLC DEC ± 0.13 [1.005] 3 PLC DEC ± - ANGLES ± 2°		DR 07/29/94 D.GELTZ	<b>AMP</b> AMP Incorporated Harrisburg, PA 17105-3508				
HOUSING: <sup>2</sup> CONTACTS: <sup>3</sup>	SHELL: <sup>4</sup> SCREWLOCKS: ZINC	CHK 08/04/94 R.STONE				NAME	
FINISH <sup>5</sup>	SHELL: <sup>6</sup> CONTACTS: <sup>7</sup>	APPD 08/05/94 M.PERCHERKE				PLUG ASSEMBLY, SIZE 2, 15 POSITION, MEDIUM PROFILE, ACTION PIN™, AMPLIMITE™ HD-20	
APPLICATION SPEC 114-40026		APPD 08/17/94 W.PARKER				SIZE <b>D</b>	CAGE CODE 00779
WEIGHT -		SCALE 4:1	SHEET 1 OF 1		PART NO 787177-1		