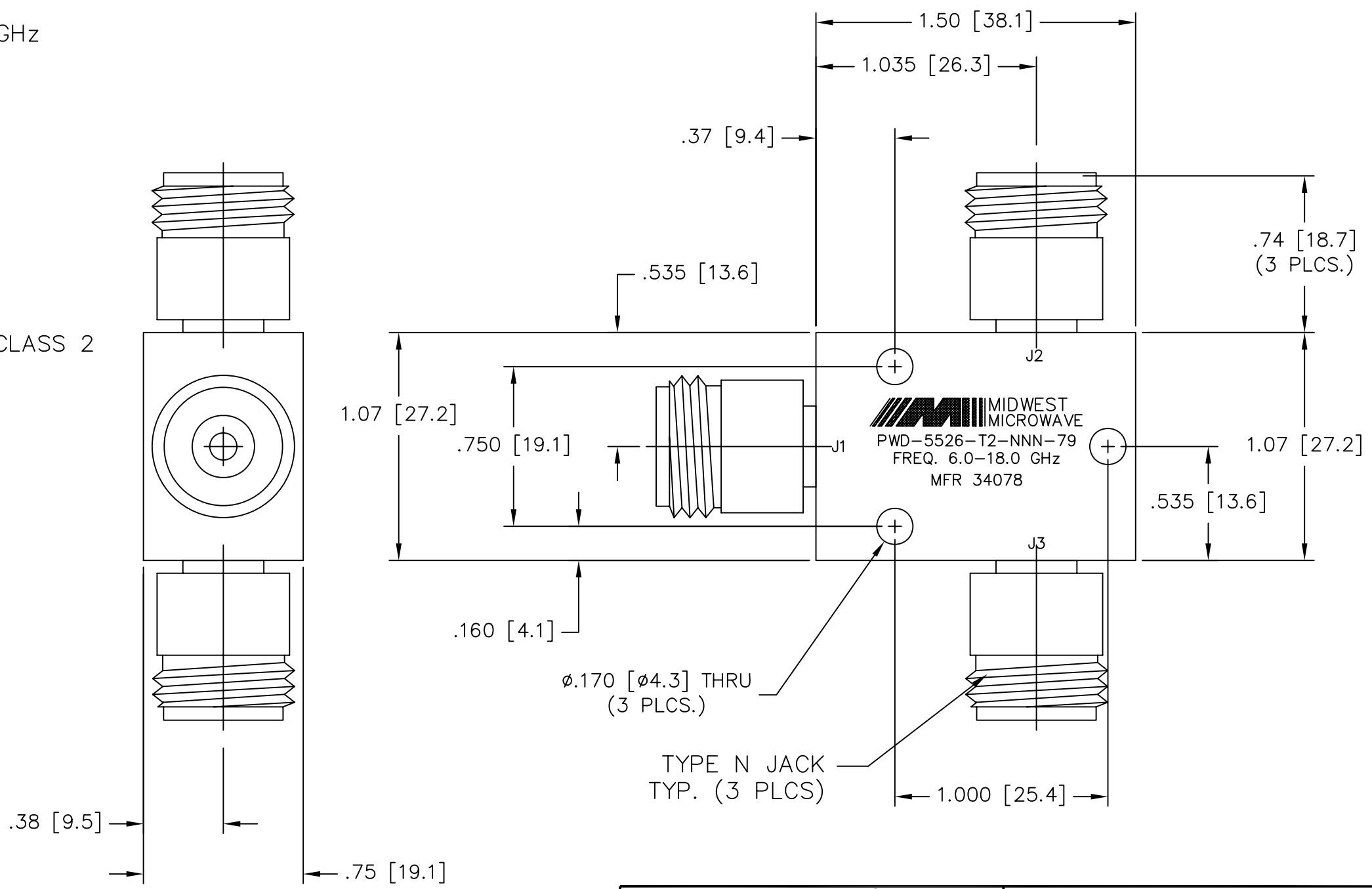


- NOTES:
- 1.0 ELECTRICAL SPECIFICATIONS:
 - 1.1 FREQUENCY RANGE: 6.0 to 18.0 GHz
 - 1.2 INSERTION LOSS: 1.0dB MAX.
 - 1.3 ISOLATION: 15dB MIN
 - 1.4 VSWR (MAX): 1.5:1
 - 1.5 OUTPUT UNBALANCE:
 - 1.5.1 AMPLITUDE: 0.30dB MAX.
 - 1.5.2 PHASE: 5° MAX.
 - 1.6 MAX. INPUT POWER: 10 WATTS
 - 1.7 OPERATING TEMP. RANGE: -55°C to +125°C
 - 2.0 FINISH
 - 2.1 GREY PER MIL-E-15090 TYPE II, CLASS 2
OVER MIL-C-5541 CLASS 3A
MEETS MIL-F-14072
MEETS MIL-E-5400
 - 3.0 MARKING: MARK UNIT AS SHOWN.
(REF.: SLK-09250-82-02)
 - 4.0 DIMENSIONS IN PARENTHESIS ARE
IN MILLIMETERS.



UNLESS OTHERWISE NOTED DIMENSIONS ARE IN INCHES AND TOLERANCES ARE:	FSCM NO.	34078 MIDWEST MICROWAVE	
	3 PLACE DECIMALS ±.005 2 PLACE DECIMALS ±.02 FRACTIONS ±1/64 PARALLELITY: T.I.R. _____ FLATNESS: T.I.R. _____ CONCENTRICITY: T.I.R. _____ ANGLES AND PERPENDICULARITY: ±1°	NOTICE: The information contained in this drawing is proprietary and must not be used without the permission of Midwest Microwave	TITLE POWER DIVIDER
	DRAWN/DATE S. ORLOV 3/3/06	ENG./DATE	DRAWING NUMBER PWD-5526-T2-NNN-79
	CHECKED/DATE	APPROVED/DATE	SCALE: 2=1 SHEET 1 of 1

DATE	
DESCRIPTION	RELEASED
REV.	1