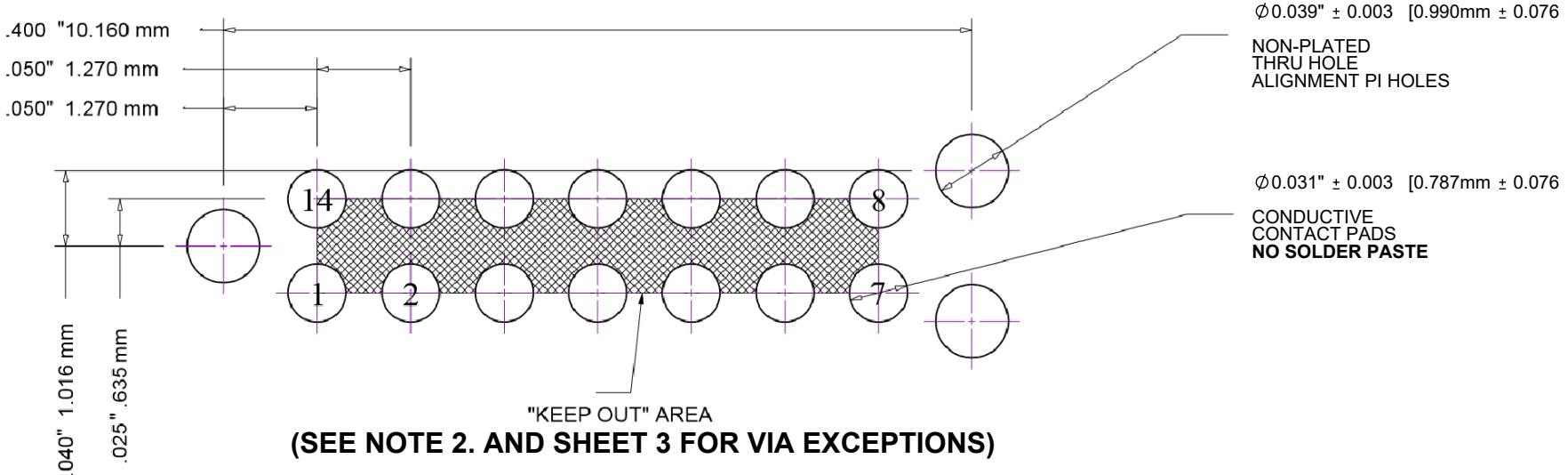


**PCB LAYOUT NOTES:**

- 1. No tracks or vias in the shaded "KEEP OUT" area.**
- 2. No other track or signal within 0.020" of any contact pad.**
- 3. Do not allow solder paste on the contact pads. It is essential to eliminate any hole in the solder paste-mask (solder stencil) layer. If this is not possible make the contact pads thru-hole with finished hole size of 0.012" or less.**
- 4. To avoid ordering confusion, please specify DNL in your BOM - the PCB footprint IS NOT A PHYSICAL PART.**
- 5. The TC2070-CLIP board can attach to the three alignment pins from underneath the PCB to temporarily retain the cable in place.**

**TC2070-IDC-NL PLUG OF NAILS(TM) CABLE**

REV	DESCRIPTION	DATE	REV BY
A	INITIAL RELEASE	12/23/2016	B.EASTMAN
B	CORRECTED TYPE ON SHEET 3	1/16/2017	B.EASTMAN



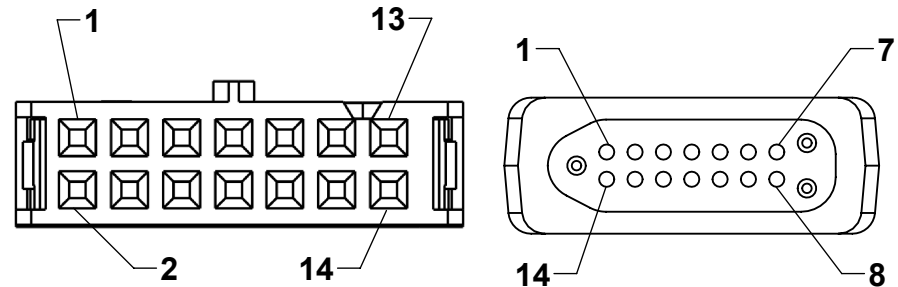
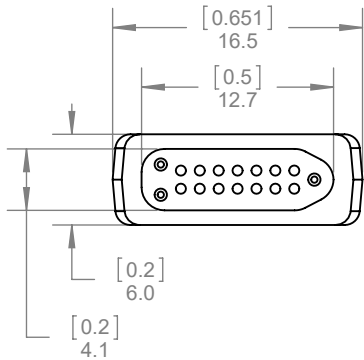
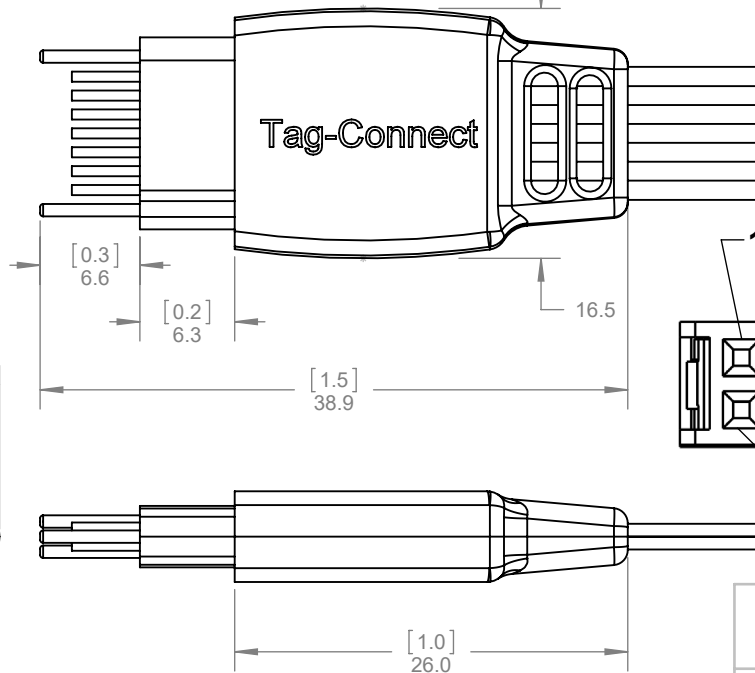
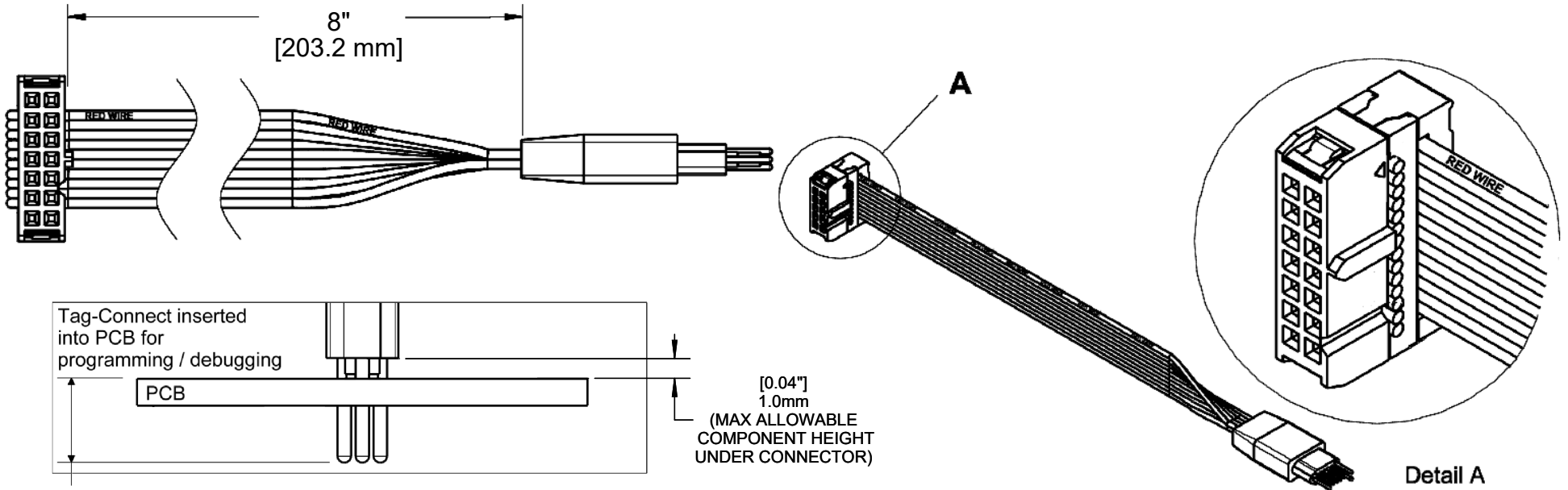
**PCB TOP LAYER**

**FOOTPRINT TO BE LABELED "TC2070-NL-FP" ON LAYOUT / BOM**

\*\*\*Use TC2070-FP (or TC2070-NL-FP) as the PCB "part" name – the cable must not appear on your BOM! Ensure the "part" in the PCB BOM is labelled as "Nothing to Purchase - Do Not Install" otherwise your CM's will try to buy one cable per PCB assembly!\*\*\*

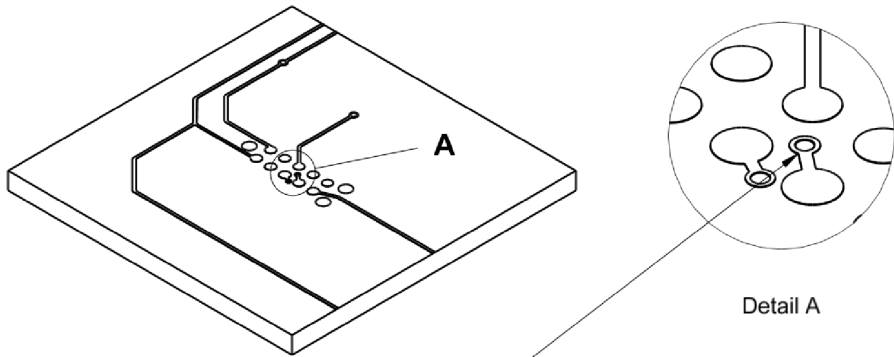
SIZE <b>A</b>	FSCM NO.	DWG NO. <b>TC2070-IDC-NL</b>	REV <b>B</b>
SCALE 1:5	www.TAG-CONNECT.com	SHEET 1 OF 3	

**Note:**  
Dimensions subject to change.



SIZE <b>A</b>	FSCM NO.	DWG NO. <b>TC2070-IDC-NL</b>	REV <b>B</b>
SCALE 2:1	www.TAG-CONNECT.com		SHEET 2 OF 3

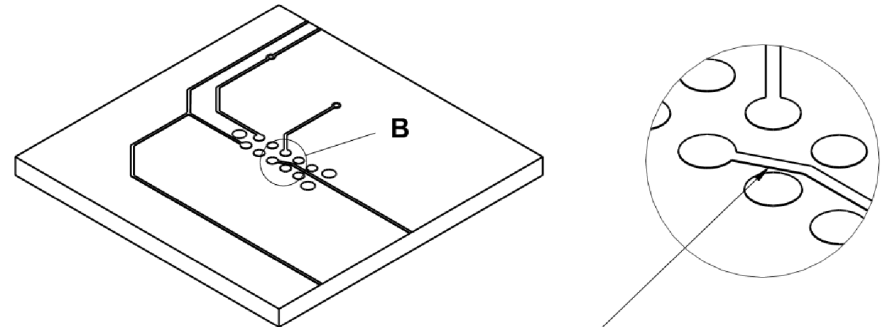
# Layout Problems to Avoid



Detail A

Vias between contact pads

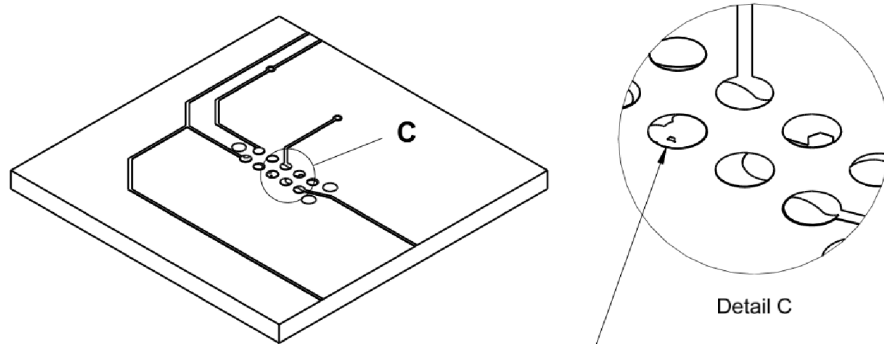
**IS OKAY**



Detail B

Traces less than .02" away from contact pad or in "KEEP OUT" area

**NOT OKAY**



Detail C

Do not deposit solder paste on contact pads. View Solder Paste Mask (Solder Stencil) layer in pad-stack and eliminate any hole.

Notes:

- 1) It IS OK to have a conductive via (not filled, not soldermasked) in the center of any of the pads so long as the finished hole is 0.012" or smaller.
- 2) It's NOT OK to have a via between two pads without 0.02" between the via and a pad of a different signal.
- 3) It IS OK to have a small via centered between four pads.

SIZE <b>A</b>	FSCM NO.	DWG NO. <b>TC2070-IDC-NL</b>	REV <b>B</b>
SCALE 2:1	www.TAG-CONNECT.com		SHEET 3 OF 3