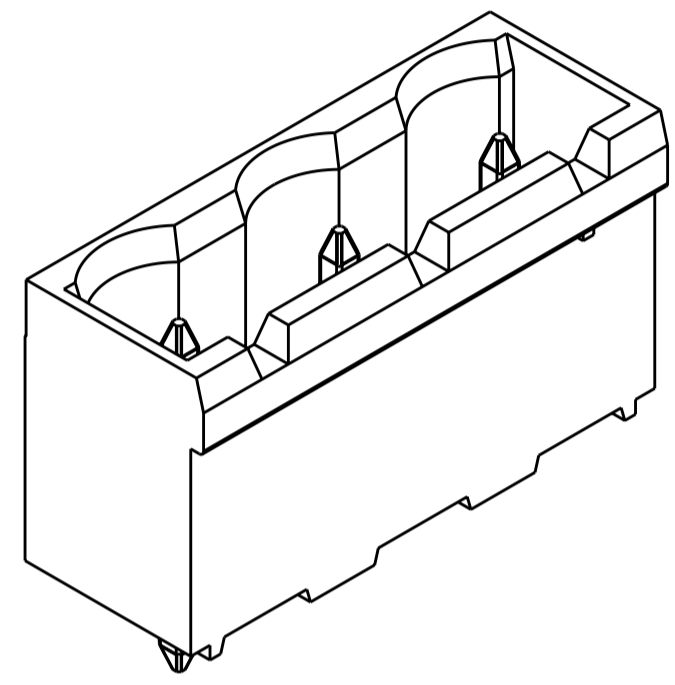
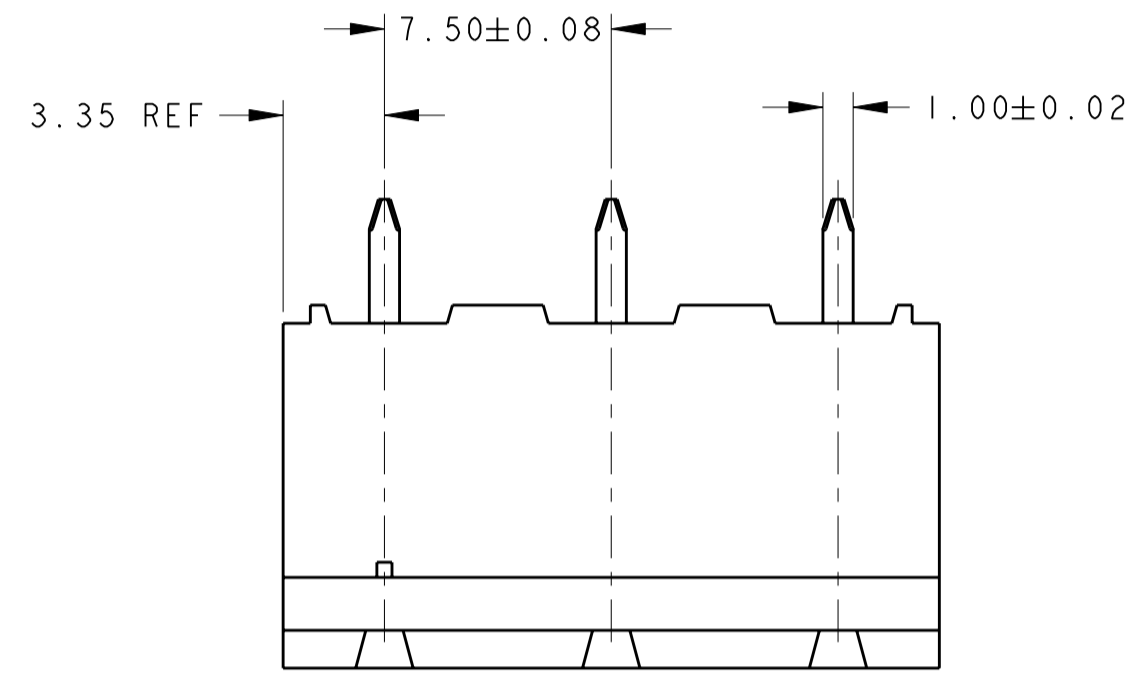


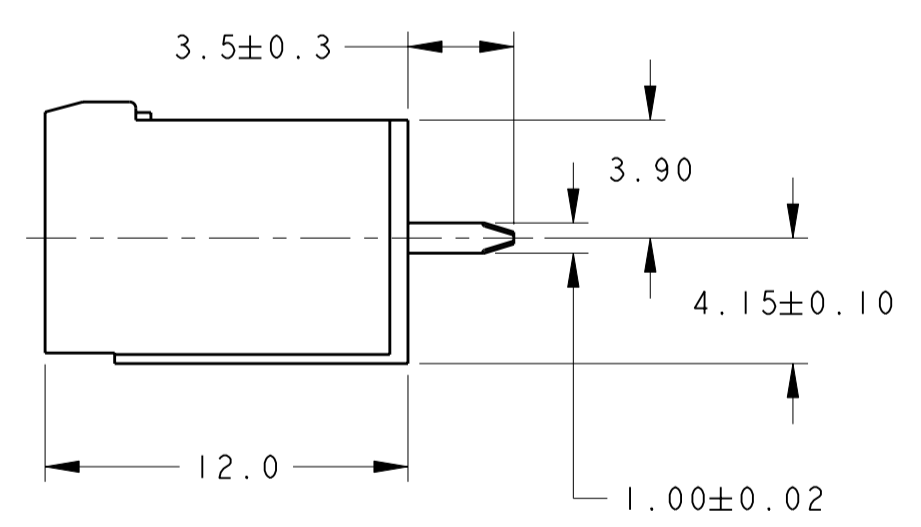
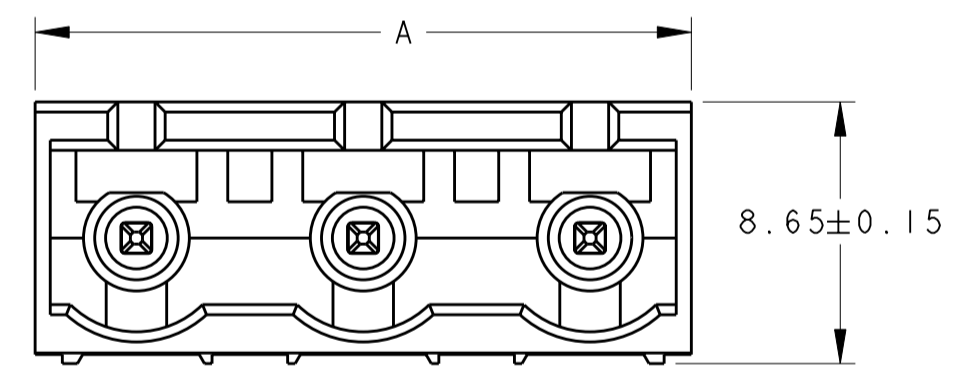
THIS DRAWING IS UNPUBLISHED. RELEASED FOR PUBLICATION 20  
 © COPYRIGHT 20 Tyco Electronics AMP GmbH ALL RIGHTS RESERVED.

LOC		DIST		REVISIONS			
P	LTR	DESCRIPTION	DATE	DWN	APVD		
FT	0	02	REVISED PER ECO-12-007711	26APR2012	KH	MS	

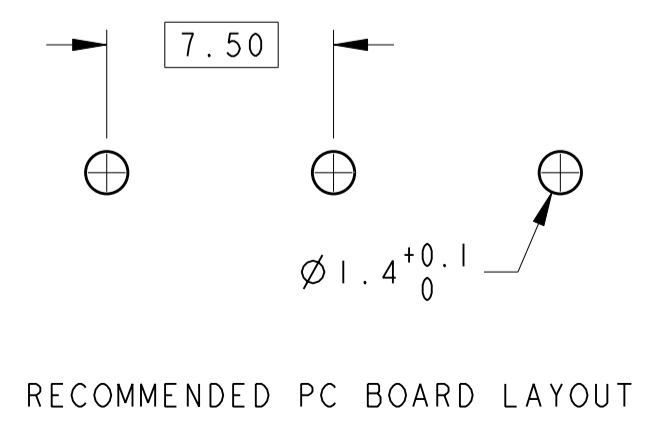


1776153-3 AS SHOWN

- MATERIALS AND FINISH  
 HOUSING: HIGH TEMPERATURE POLYAMIDE, UL 94V-0 RATED,  
 COLOR: BLACK.  
 TERMINAL: COPPER ALLOY, TIN PLATED.
- SUITABLE FOR 1,6-2,4mm PC BOARD THICKNESS.
- RECOGNIZED UNDER THE COMPONENT PROGRAM OF  
 UNDERWRITERS LABORATORIES INC., FILE N° E60677.
- IMQ CERTIFICATE WITH SURVEILLANCE IN CONFORMITY  
 WITH IEC 998-1/998-2-1.



89.20	12	1-1776153-2
81.70	11	1-1776153-1
74.20	10	1-1776153-0
66.70	9	1776153-9
59.20	8	1776153-8
51.70	7	1776153-7
44.20	6	1776153-6
36.70	5	1776153-5
29.20	4	1776153-4
21.70	3	1776153-3
14.20	2	1776153-2
A	NO OF POSN	PART NUMBER



THIS DRAWING IS A CONTROLLED DOCUMENT.		DWN S.WELDON 26JUL2005	<b>STE</b> TE Connectivity	
DIMENSIONS: mm		CHK C.RICHARD 26JUL2005		
TOLERANCES UNLESS OTHERWISE SPECIFIED:		APVD C.RICHARD 26JUL2005	NAME TERMINAL BLOCK HEADER ASSEMBLY	
0 PLC ±-		PRODUCT SPEC -	180 DEGREE, CLOSED END	
1 PLC ±.3		APPLICATION SPEC -	7.5mm PITCH	
2 PLC ±.25		WEIGHT -	SIZE A2	CAGE CODE C-1776153
3 PLC ±-		RESTRICTED TO -	SCALE 4:1	SHEET 1 OF 1
4 PLC ±-		CUSTOMER DRAWING	REV 02	
ANGLES ±2				
FINISH -				