

4

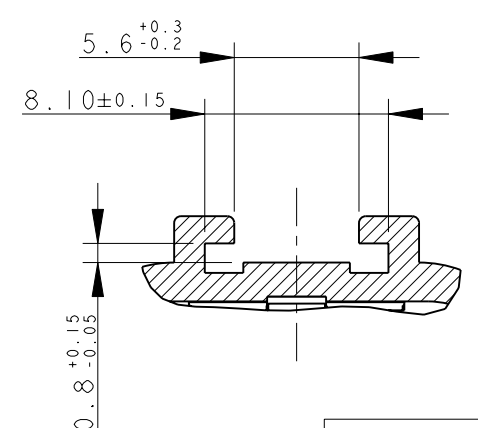
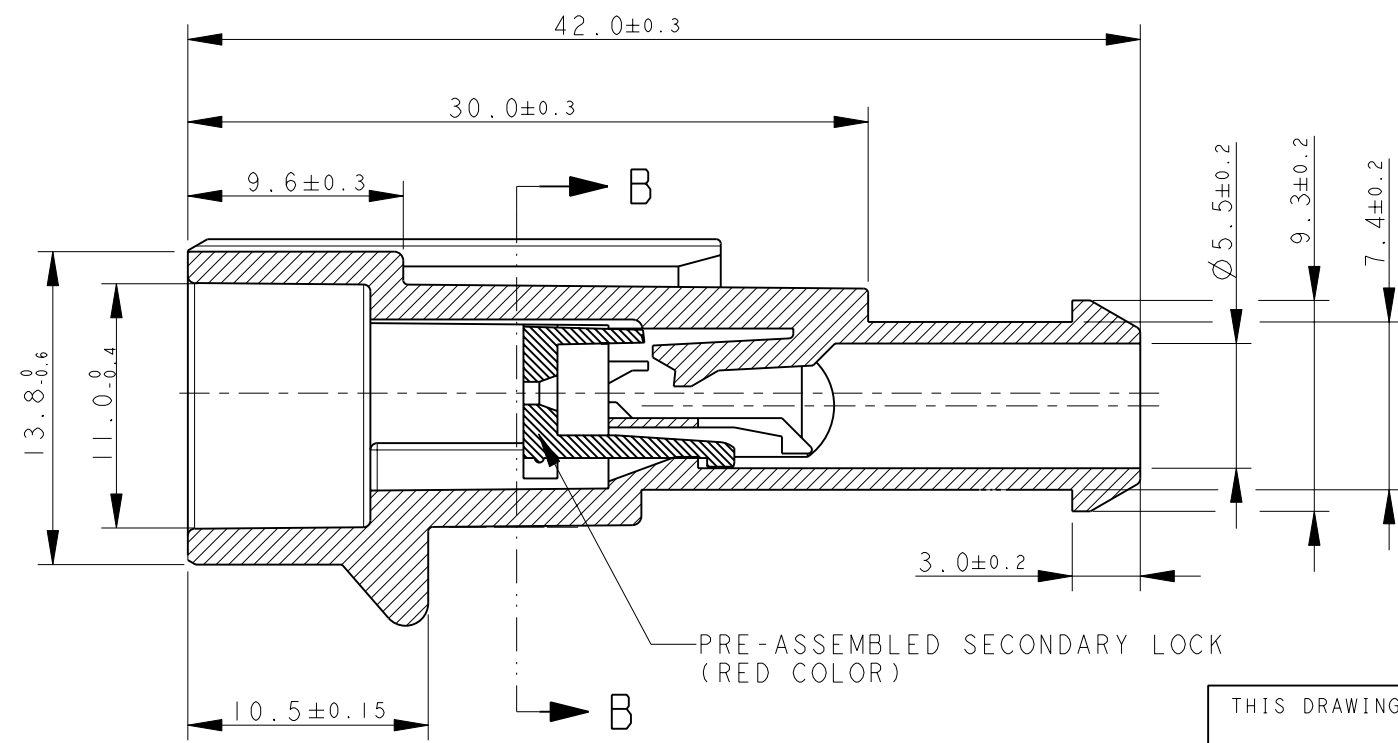
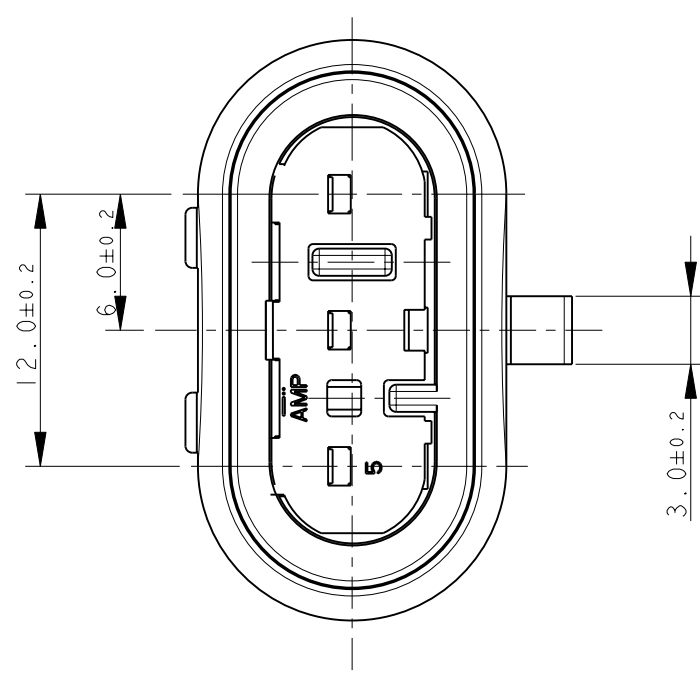
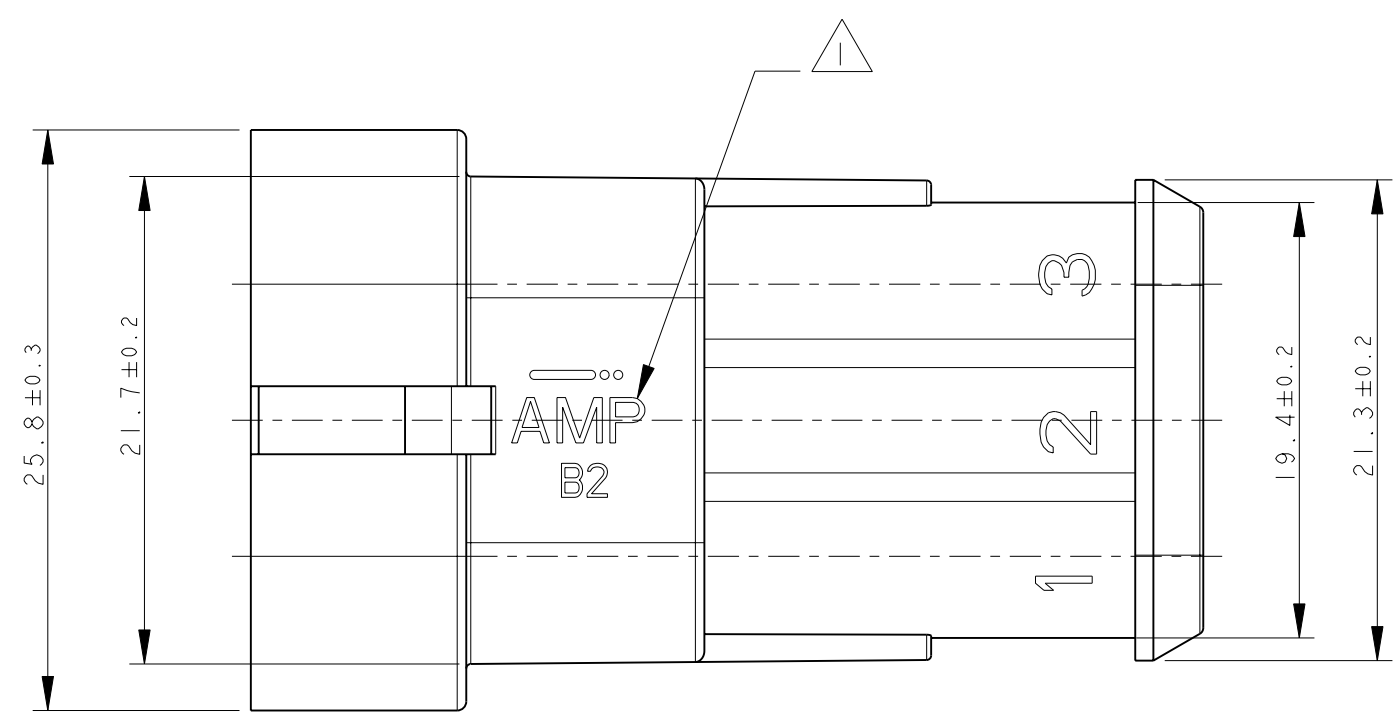
3

2

1

THIS DRAWING IS UNPUBLISHED. RELEASED FOR PUBLICATION 2009  
 © COPYRIGHT 2009 BY - ALL RIGHTS RESERVED.

LOC	DIST	REVISIONS			
P	LTR	DESCRIPTION	DATE	DWN	APVD
1	-	B1	REVISED PER ECO-11-005033	24MAR2011	RK HMR



PART SECTION B-B

GRAY	PA66-GF	282105-2
BLACK	PA66-GF	282105-1
FINISH/COLOR	MATERIAL	PART NUMBER

1 LOGO "AMP" O, IN ALTERNATIVA, LOGO TYCO ELECTRONICS ("AMP" TRADE MARK OR, IN ALTERNATIVE, TE CONNECTIVITY TRADE MARK)

THIS DRAWING IS A CONTROLLED DOCUMENT.		DWN C. BERTINI 02-1990	TE Connectivity	
		CHK A. BRUNI 02-1990		
DIMENSIONS: mm		APVD -	NAME AMP SUPERSEAL 1.5 SRS. 3 POSITIONS TAB ASS'Y	
TOLERANCES UNLESS OTHERWISE SPECIFIED:		PRODUCT SPEC 108-20090	RESTRICTED TO -	
0 PLC ±-		APPLICATION SPEC -	SIZE A3	CAGE CODE 00779
1 PLC ±0.3		WEIGHT -	DRAWING NO C-282105	
2 PLC ±-		CUSTOMER DRAWING		
3 PLC ±-		SCALE 3:1		
4 PLC ±-		SHEET 1 OF 1		
ANGLES ±2°		REV B1		
FINISH -				