

This drawing involves proprietary design rights of Tyco Electronics Corporation, and all design, manufacture, reproduction, use and sale rights regarding the same are expressly reserved. It is submitted for a specific purpose and the recipient by accepting this drawing, assumes custody and control and agrees to take reasonable precautions; (a) that this drawing will not be copied and reproduced, in whole or in part, or its contents revealed in any manner, or to any person except to meet the purpose for which it was delivered and (b) that any special features peculiar to this design will not be incorporated in other projects without the expressed written permission of Tyco Electronics Corporation.

REVISIONS			
EC	REV	DESCRIPTION	DATE
0S1Q-0407-04	E	DRAWING WAS 999-659-1D1. WAS TIN/LEAD PLATED PC TAILS	30NOV04

7. MODULE INFORMATION

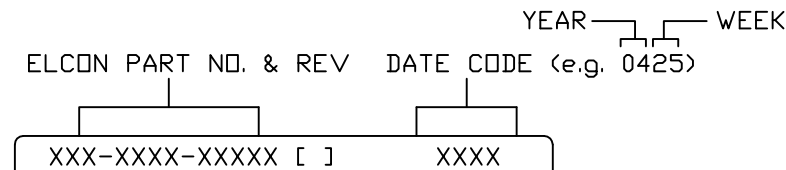
CONNECTOR	TYCO PART NUMBER	ELCON PART NUMBER	EQUIV. CATALOG MODULE #	QTY	SIZE NO.	CONTACT QTY	MATING PIN	MAX. CURRENT (PER CONTACT)	CONTACT SPACING	VOLTAGE RATING*
PIN	6648101-1	479-0629-10100E	FP0817	1	8	4	1.25 X 7.00 [.049 X .276]	35 AMPERES	7.50 [2953]	250 VOLTS
					22	24	.64 [.025] SQ.	3 AMPERES	2.50 [.0984]	125 VOLTS

*IAW IEC-950

NOTES: UNLESS OTHERWISE SPECIFIED;

- PART NUMBER CHANGES AND OR DESIGN CHANGES AFFECTING ITEM INTERCHANGEABILITY REQUIRE PRIOR ELCON APPROVAL AND AUTHORIZATION BY REVISION TO THIS DRAWING.
- MATERIALS:
 INSULATORS: THERMOPLASTIC, GLASS REINFORCED, COLOR-BLACK, UL94V-0 FLAMMABILITY RATED.
 SOLDER SIGNAL PIN: BRASS ALLOY.
 POWER CONTACTS: PHOSPHOR-BRONZE ALLOY.
 COPPER ALLOY.
 CROWN BANDS: BERYLLIUM-COPPER ALLOY.
- FINISHES:
 CONTACTS: GOLD PLATED PER MIL-G-45204 TYPE II, CLASS 0, OVER NICKEL PER QQ-N-290, CLASS 2, .
 SOLDER TAILS, TIN PLATE, MATT FINISH, PER ASTM-B545.
- ALL 24 PIN SIGNAL MODULE ARE PREMATE PINS.

- ITEMS PROVIDED TO THIS SPECIFICATION TO BE PERMANENTLY IDENTIFIED PER THE FOLLOWING IDENTIFIER LABEL:



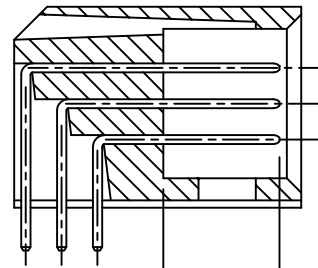
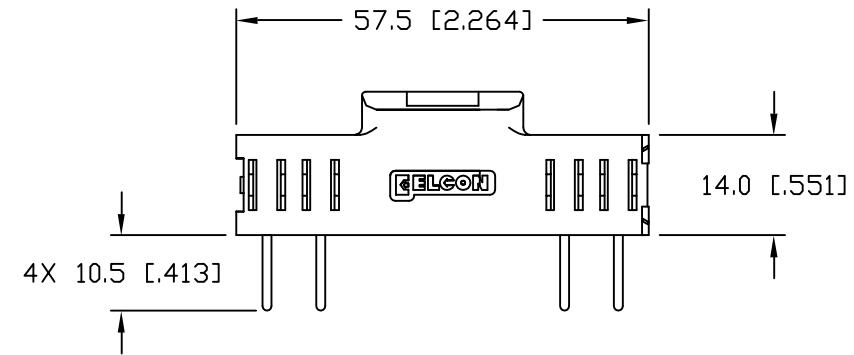
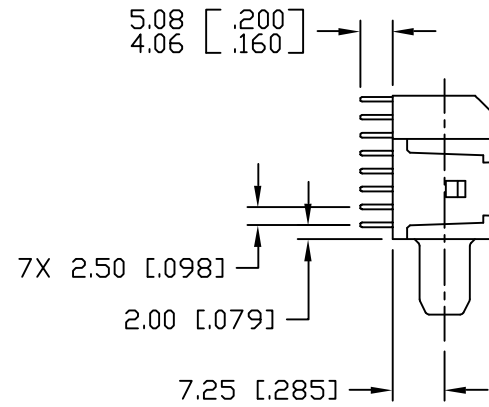
- THIS CONNECTOR MATES WITH SOCKET CONNECTORS PN 278-0629-00200 & 278-0629-00400.

<p>THIRD ANGLE PROJECTION</p> <p>UNLESS OTHERWISE SPECIFIED DIMENSIONS ARE IN METRIC [INCHES]</p> <p>TOLERANCES</p> <p>ANGLES ± .5°</p> <p>DECIMALS</p> <p>.XXX ± .25 [.010]</p> <p>.XX ± .5 [.02]</p>	<p>DRAWN</p> <p>C FRENCH</p> <p>CHECKED</p>	<p>DATE</p> <p>10AUG04</p>	<p>tyco Tyco Electronics Corporation Electronics Menlo Park, Ca 94025</p> <p>ELCON</p>	
	<p>APPROVED</p> <p>APPROVED</p> <p>D. CHAU</p> <p>DCA APPROVED</p> <p>M. ALIM</p> <p>ACAD FILE NUMBER</p>	<p>DATE</p> <p>30NOV04</p> <p>07JAN05</p>	<p>TITLE</p> <p>PIN CONNECTOR, FLATPAQ RIGHT ANGLE, LONG SOLDER TAILS, DEDICATED PN: 479-0629-10100E</p>	
<p>SIZE</p> <p>B</p>		<p>DWG NUMBER</p> <p>C = 6648101</p>		<p>REV.</p> <p>E</p>
<p>ACAD FILE NUMBER</p> <p>C6648101E.DWG</p>			<p>DWG SCALE</p> <p>1 = 1</p>	<p>SH 1 OF 3</p>

This drawing involves proprietary design rights of Tyco Electronics Corporation, and all design, manufacture, reproduction, use and sale rights regarding the same are expressly reserved. It is submitted for a specific purpose and the recipient by accepting this drawing, assumes custody and control and agrees to take reasonable precautions; (a) that this drawing will not be copied and reproduced, in whole or in part, or its contents revealed in any manner, or to any person except to meet the purpose for which it was delivered and (b) that any special features peculiar to this design will not be incorporated in other projects without the expressed written permission of Tyco Electronics Corporation.

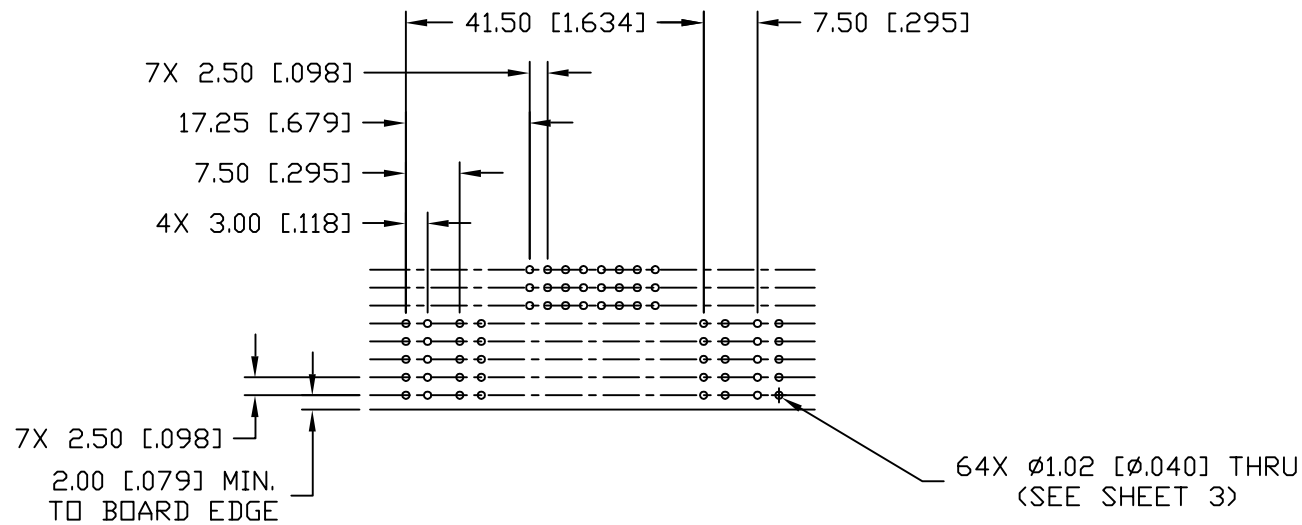
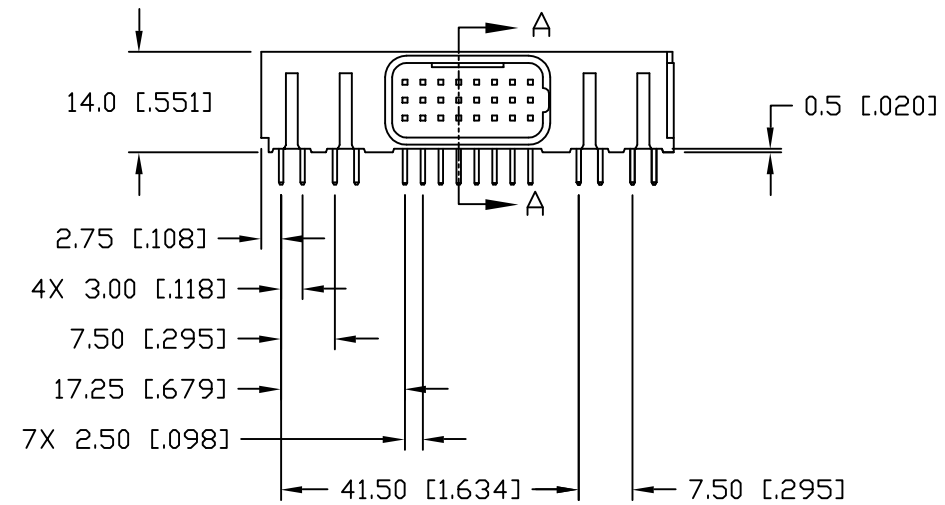
REVISIONS

EC	REV	DESCRIPTION	DATE
		SEE SHEET 1	



4
24X 8.1 [.319]

SECTION A-A

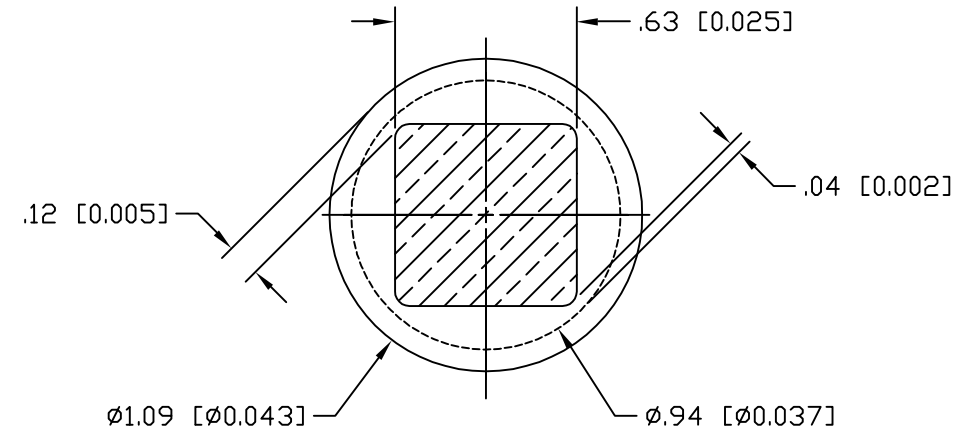
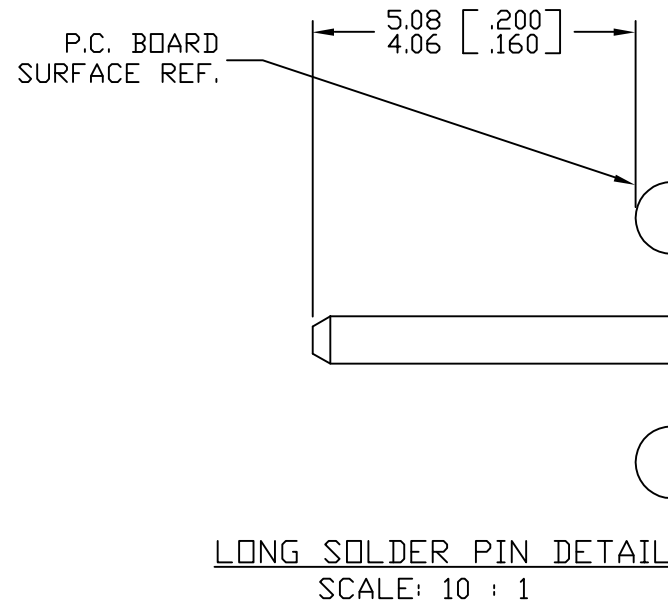


PRINTED CIRCUIT LAYOUT

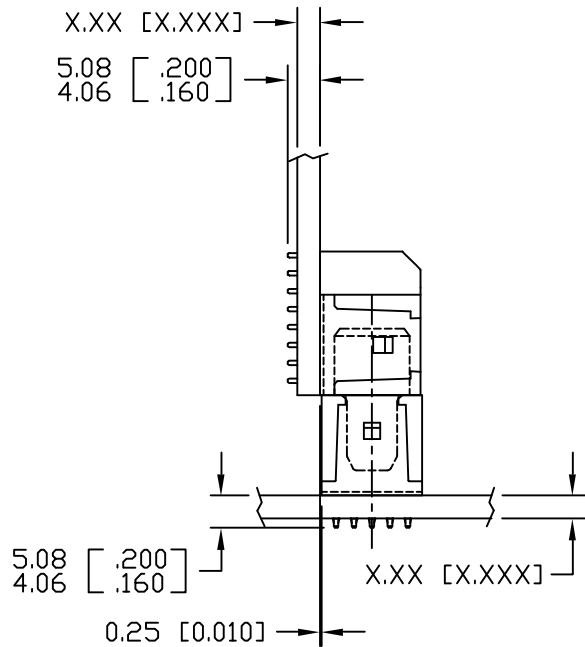
MM INCH THIRD ANGLE PROJECTION UNLESS OTHERWISE SPECIFIED DIMENSIONS ARE IN METRIC [INCHES] TOLERANCES ANGLES ± .5° DECIMALS .XXX ± .25 [.010] .XX ± .5 [.02]	DRAWN C FRENCH CHECKED	DATE 10AUG04	 Tyco Electronics Corporation Menlo Park, Ca 94025
	APPROVED	APPROVED	
	D. CHAU DCA APPROVED M. ALIM	30NOV04 07JAN05	SIZE B DWG NUMBER C = 6648101 REV. E
	ACAD FILE NUMBER C6648101E.DWG		DWG SCALE 1=1 SH 2 OF 3

This drawing involves proprietary design rights of Tyco Electronics Corporation, and all design, manufacture, reproduction, use and sale rights regarding the same are expressly reserved. It is submitted for a specific purpose and the recipient by accepting this drawing, assumes custody and control and agrees to take reasonable precautions; (a) that this drawing will not be copied and reproduced, in whole or in part, or its contents revealed in any manner, or to any person except to meet the purpose for which it was delivered and (b) that any special features peculiar to this design will not be incorporated in other projects without the expressed written permission of Tyco Electronics Corporation.

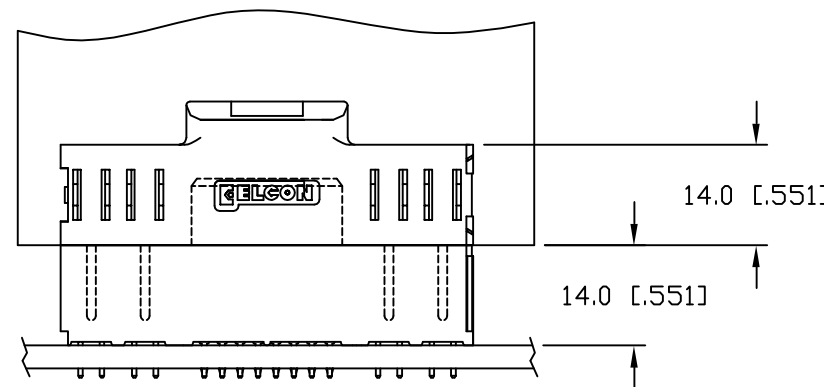
REVISIONS			
EC	REV	DESCRIPTION	DATE
		SEE SHEET 1	



RECOMMENDED PRINTED CIRCUIT HOLE
SOLDER OR COMPLIANT PRESS FIT
FINISHED HOLE: $\phi 1.02 [0.040] \pm .08 [0.003]$
DRILLED HOLE: $\phi 1.15 [0.0453] \pm .013 [0.0005]$
COPPER PLATE: .025 [0.0010] MINIMUM (PER SURFACE)
TIN PLATE: .008 [0.0003] MINIMUM (PER SURFACE)



479-0629-10100 WITH 278-0629-00200 OR 278-0629-00400



MM INCH THIRD ANGLE PROJECTION UNLESS OTHERWISE SPECIFIED DIMENSIONS ARE IN MILLIMETERS TOLERANCES ANGLES $\pm .5^\circ$ DECIMALS .XXX $\pm .25 [0.010]$.XX $\pm .5 [0.02]$	DRAWN C FRENCH CHECKED	DATE 10AUG04	 Tyco Electronics Corporation Menlo Park, Ca 94025 	
	APPROVED	APPROVED		TITLE USER INFORMATION LONG SOLDER TAIL TERMINATION AND MATED CONDITION
	D. CHAU DCA APPROVED M. ALIM	30NOV04 07JAN05	SIZE B	DWG NUMBER = 6648101
	ACAD FILE NUMBER C6648101E.DWG	DWG SCALE 1 = 1	SH 3 OF 3	REV. E