

THIS DRAWING IS UNPUBLISHED.

RELEASED FOR PUBLICATION

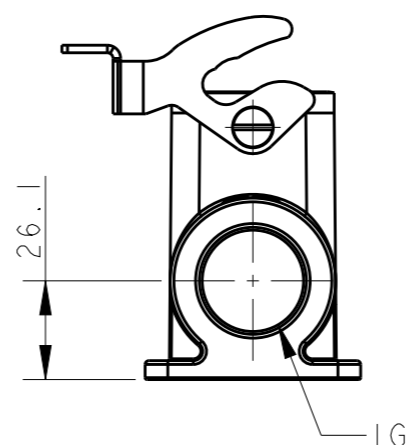
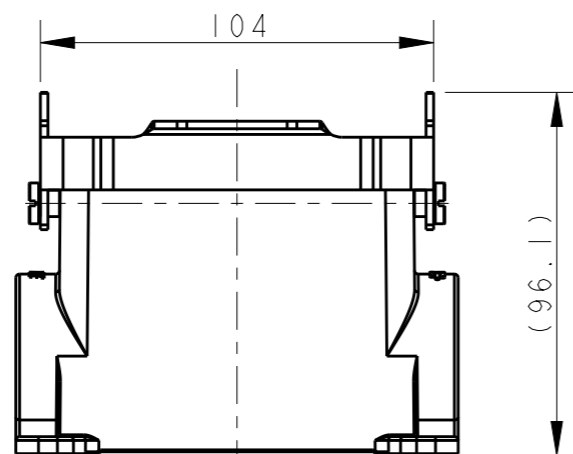
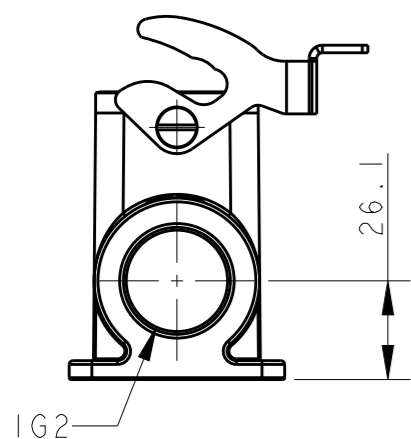
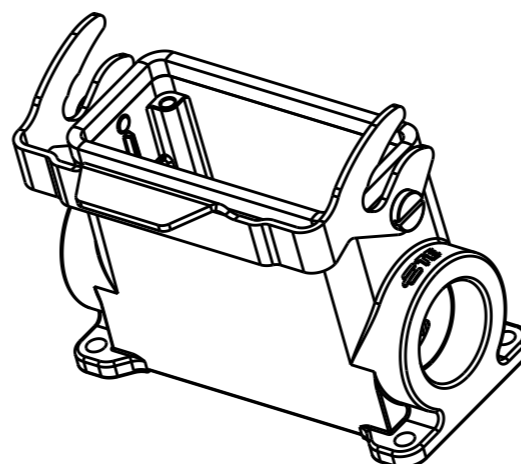
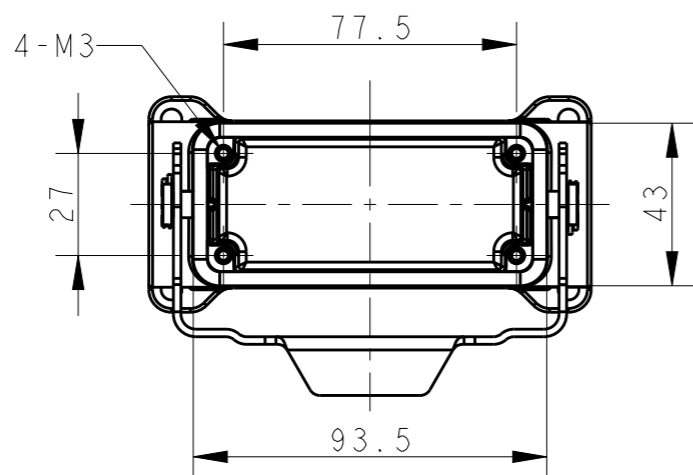
20

© COPYRIGHT 20 BY -

ALL RIGHTS RESERVED.

REVISIONS

P	LTR	DESCRIPTION	DATE	DWN	APVD
	A	INITIAL RELEASE	23JUN2015	DL	CW

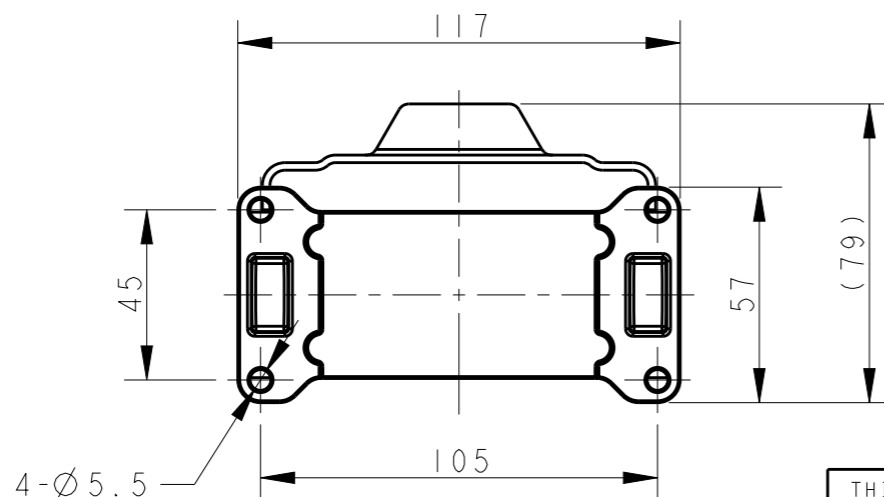


NOTES:

- 1. TECHNICAL CHARACTERISTICS:
 BODY MATERIAL: DIE CAST ALUMINIUM ALLOY
 SURFACE TREATMENT: POWDER-COATED, GRAY
 OPERATION TEMPERATURE: -40-+125°C
 DEGREE OF PROTECTION: IP65 (MATED)

注释:

- 1. 技术参数:
 主体材料: 铝合金
 表面处理: 粉末喷涂, 灰色
 工作温度: -40-+125°C
 防护等级: IP65(配合)



T1650163121-000	H16B-SGRH-LB-PG21	PG21	-
T1650163129-000	H16B-SGRH-LB-PG29	PG29	-
T1650163132-000	H16B-SGRH-LB-M32	M32	-
T1650163221-000	H16B-SGRH-LB-2PG21	PG21	PG21
T1650163229-000	H16B-SGRH-LB-2PG29	PG29	PG29
T1650163232-000	H16B-SGRH-LB-2M32	M32	M32
ASSEMBLY PART NUMBER	ASSEMBLY PART DESCRIPTION	IG1	IG2

THIS DRAWING IS A CONTROLLED DOCUMENT.		DWN	DAVID LI	23JUN2015	TE TE Connectivity		
DIMENSIONS: mm		CHK	CHRIS WANG	23JUN2015			
TOLERANCES UNLESS OTHERWISE SPECIFIED:		APVD	XU XIANG	23JUN2015			
0 PLC ±- 1 PLC ±- 2 PLC ±- 3 PLC ±- 4 PLC ±- ANGLES ±-		PRODUCT SPEC	108-137013				
MATERIAL TBD		FINISH	-		NAME	H16B-SGRH-LB-PG/M	
					APPLICATION SPEC	114-137013	
					WEIGHT	-	
					CUSTOMER DRAWING	SCALE	1:2
					SIZE	A3	
					DRAWING NO	C-TI650163XXX000	
					RESTRICTED TO	-	
					SHEET	1	OF 1
					REV	A	